

YB5500 Series

product guide

features

- 2 models ...
 - YB5515: 15.0T (13.6mt) 3-section boom with 41 ft. 0 in. (12.5m) outreach
 - YB5518: 18.0T (16.3mt) 4-section boom with 54 ft. 6 in. (16.6m) outreach
- 15 ft. (4.6m) offsettable swingaway extension
- 20,000 lb. (9 072kg) deck carrying capacity
- 101 bhp (75.3 kW) GM EFI dual fuel engine or 110 bhp (82.0 kW) Cummins diesel engine



contents

| | |
|--------------------|----|
| Features | 2 |
| Specifications | 3 |
| YB5515 | |
| Dimensions | 5 |
| Working Range | 6 |
| Load Chart | 8 |
| Load Chart | 9 |
| YB5518 | |
| Dimensions | 10 |
| Range Diagram | 11 |
| Load Chart | 12 |
| YB5515 (metric) | |
| Range Diagram | 13 |
| Range Diagram | 14 |
| DIN/ISO Load Chart | 15 |
| DIN/ISO Load Chart | 16 |
| YB5518 (metric) | |
| Range Diagram | 17 |
| DIN/ISO Load Chart | 18 |

Industrial Hydraulic Crane

features

2



- Single position oblique style outriggers (YB5515).
- -2-position beam / jack style outriggers (YB5518).



Standard:

- G.M. V-6 EFI 4.3 L Dual-Fuel engine rated @ 101 bhp (75.3kw) @ 2500 r.p.m.



Standard: Open air cab shell w/overhead safety glass

Optional: Closed cab with hinged door, heater, and defroster



Standard: 41 ft. (12.5m) main boom on the YB5515
54 ft. 6 in. (16.6m) main boom on the YB5518

Optional: YB5515: Manual 4th main boom section adds 11 ft. (3.4m) additional main boom length



Standard: 4-wheel steer (YB5515)

Optional: 2-wheel, -4-wheel, and crab steer with electronic self-alignment (**std. on YB5518**)

specifications

3

Superstructure

Boom

YB5515: 18 ft. 6 in. – 41 ft. 0 in. (5.6m – 12.5m) three-section full power boom.

Maximum tip height: 46 ft. 3 in. (14.1m)

YB5518: 18 ft. 6 in. – 54 ft. 6 in. (5.6m – 16.6m) four-section full power boom.

Maximum tip height: 56 ft. 2 in. (17.1m)

*Optional Boom

YB5515: Manual 4th main boom fly section

Maximum tip height: 52 ft. 3 in. (15.9m)

*Boom Extension

15 ft. (3.6m) offsettable swingaway extension

Boom Nose

YB5515: 2 sheave non-pivoting boom nose

YB5518: Two sheave, -3-position (0°, +40°, +80°) pivoting boom nose for minimizing head space requirements. Lowers head height 15.9 in. (0.4m) when nose is pivoted fully forward.

Boom Elevation

YB5515: Single double acting hydraulic cylinder with integral holding valve.

YB5518: Two double acting hydraulic cylinders with integral holding valve.

Elevation: 0° to 69° for the YB5515

0° to 80° for the YB5518

Anti-Two Block Device

Standard anti-two block device, when activated, provides an audible and visual warning to the crane operator and disengages all crane functions whose movement can cause two-blocking.

Load Indicator

A simple effective and easy to use load indicating system used in conjunction with the anti-two block system to assist the operator in efficient operation of the unit within the limits of the load chart. The display panel displays the hook load and warns the operator when a preset load capacity is exceeded. The warning is by a flashing light on the display panel. In conjunction with the load display panel (receiver), there is a wireless transmitter and load sensing pin attached to the boom head that transmits the hook load to the display panel.

*Rated Capacity Limiter (RCL)

Similar to the Load Indicator, but stops the telescope out and boom lift down function when a load limit is exceeded. Uses a similar display panel with the addition of displaying boom angle and boom length read outs on the panel.

*Load Moment Indicator (LMI)

Digital display of boom angle, boom length, boom radius, capacity, and allows for operator input to set the limits based on load chart. Displays color coded light bar and audible alarm with function cutout if load exceeds entered parameters.

Swing

Ball bearing swing circle with 360° continuous rotation.

Hydraulic driven worm gear and pinion.

Maximum speed: YB5515: 2.1 rpm

YB5518: 2.5 rpm

Hydraulic System

4 section gear pump providing a system pressure of 3500 psi (241.3 bars)

Combined flow: 88.0 gpm (333.1 Lpm)

YB5515: Six section valve bank mounted in dash with direct mechanical linkage for low effort lever control.

YB5518: Six section valve bank chassis mounted; operated via dash mounted, pilot pressure hydraulic joysticks.

Return line filter with full flow by-pass protection and service indicator.

40 gallon (151.4 L) hydraulic reservoir with sight level gauge and steel side plating to guard against side impact damage.

Hoist Specifications

Piston motor drive with spring applied / hyd. released brake. Equal speed power up and down.

Drum Diameter: 9.75 in. (0.25m)

Maximum hoist single line pull: 12,000 lb. (5 443kg)

Maximum hoist single line speed:

YB5515: 126 FPM (38.4m / min)

YB5518: 158 FPM (48.2m / min)

Maximum Permissible Single Line Pull:

YB5515: 7,500 lb (3 402kg)

(1/2" [12.7mm] EEIPS)

YB5518: 9,000 lb (4 082kg)

(1/2" [12.7mm] Python Ultra)

Rope Length:

YB5515:

(3-section boom) 240 ft. (73.0m)

(4-section boom) 290 ft. (88.4m)

YB5518: 310 ft. (94.5m)

*Denotes optional equipment

YB5500 Series

GROVE

specifications

4

Carrier

Frame

High strength alloy steel constructed with integral outrigger housings; front and rear tie-down lugs. 75 ft.² carrydeck size with 20,000 lb (9 072kg) carrying capacity. Deck coated with anti-skid treatment.

Outriggers

YB5515: Front and rear oblique type beams at all four corners with integral holding valves. Outrigger pads form an integral part of the beam.

YB5518: 2-stage hydraulic telescoping beam with oblique type jack on all four corners, provides extended and down and retracted and down lifting capacities. Integral holding valves on both beam and jack.

Outrigger Controls

YB5515: Lever controls located on dash panel and operate the beams in pairs from side to side. Level bubble located inside operators compartment.

YB5518: Two switch operation mounted on dash panel. One 3-position rocker switch to select all beams / jacks, left beams / jacks only, or right beams / jacks only. Separate 4- way toggle switch to activate beams out / in and jacks down / up. Level bubble indicator located inside operators compartment.

*Independent outrigger controls available as an option.

Std. Engine

G.M. 4.3L V-6 EFI dual fuel (gasoline / L.P.) rated @ 101 bhp (75.3kW) @ 2500 rpm.

*Optional Engine

YB4415: Cummins 4B 3.3L turbo-charged diesel rated @ 85 bhp (63.4kW) @ 2500 rpm.

YB5518: Cummins QSB4.5L turbo-charged diesel rated @ 110 bhp (82.0kW) @ 2500 rpm.

Operators Control Station

Frame mounted, open air style control station with cab shell includes all crane functions, driving controls, and overhead safety glass. Other standard equipment include a durable weather resistant seat with seat belt, hourmeter, sight level bubble, and fire extinguisher. The dash panel includes engine oil pressure gauge, engine water temperature gauge, fuel gauge, transmission low oil and high temperature warning lights, low battery warning light, and brake system low pressure warning light. The LSI (load indicator) receiver is mounted to the top of the dash.

*Operators Control Station Enclosed

Includes the standard cab shell with the addition of front and rear glass and sliding glass on the right side. Hinged full door with sliding glass.

Front windshield wiper and heater and defroster is included.

Fuel Tank Capacity

40 gallon (151.4 L) all steel construction with steel side plate to guard against side impact.

Electrical System

One 12V maintenance free battery, 820CCA @ 0°. 63 amp alternator.

Drive

4 x 2 – Front axle drive with planetary hubs and limited slip differential.

Steer

YB5515: 2-wheel and 4-wheel (coordinated)

YB5518: 2-wheel, -4-wheel, and crab steer w/electric self alignment.

Transmission

YB5515: Clark synchromesh 4-speeds forward and reverse.

YB5518: Clark powershift 4-speeds forward and reverse. Stalk mounted shifter on left side of steering column.

Tires

385/65R 22.5 radial traction tread pneumatic.

Brakes

Hydraulic actuated internal wet-disc service brakes acting on all four wheels. A dash mounted toggle switch activates the dry disc parking brake on the transmission output yoke with a dash warning light.

Suspension

Front: Rigid mounted to frame.

Rear: Provides 1.5° oscillation for use on semi-rough terrain. Axle lock-out must be engaged (locked) whenever picking on rubber or traveling in the crab steer mode. A warning light indicates when the axle lock-outs are engaged.

*Optional 4° oscillation.

Lights

Recessed mounted, includes head, tail, rear work, stop, and turn signals.

Maximum Speed

YB5515: 14.5 mph (23.3km/h)

YB5518: 21.0 mph (33.8km/h)

Gradeability**

YB5515: 73%....no load

41%....20,000lb (9 072kg) load

YB5518: 68%....no load

40%....20,000lb (9 072kg) load

G.V.W.

YB5515: 26,300 lb (11 930kg) 3-section boom

26,750 lb (12 134kg) 4-section boom

YB5518: 30,000 lb (13 608kg)

Miscellaneous Standard Equipment

Two sheave, "Quick Reeve" style hookblock; YB5515: 15.0T (13.6mt); YB5518: 18.0T (16.3mt).

Back-up alarm

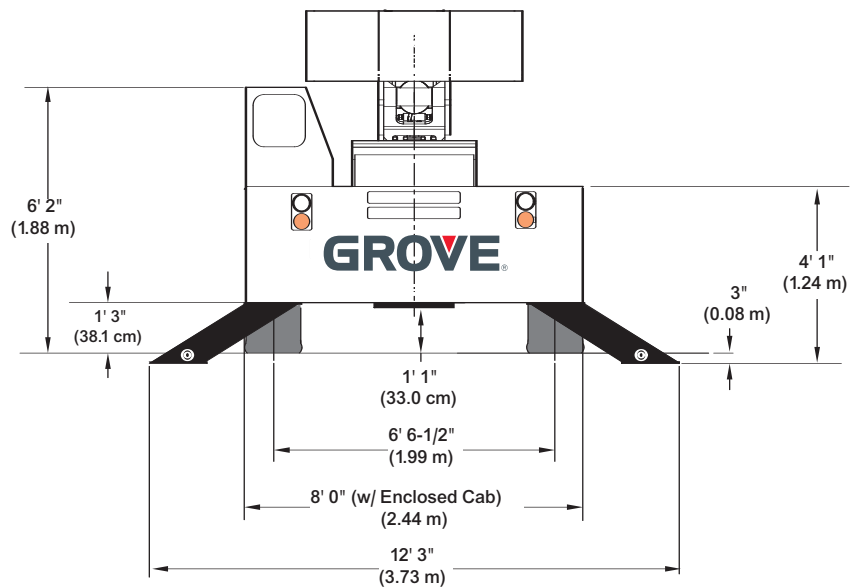
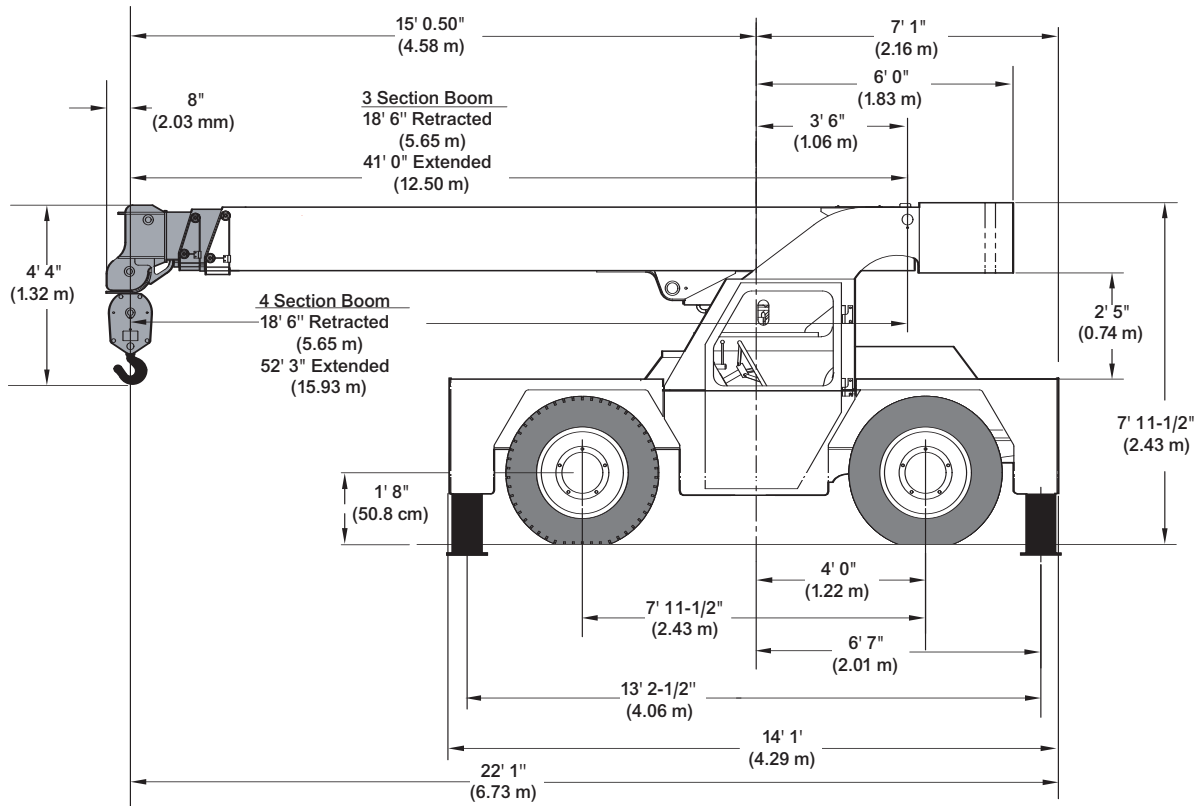
*Denotes Optional Equipment

**Theoretical

dimensions

YB5515

5



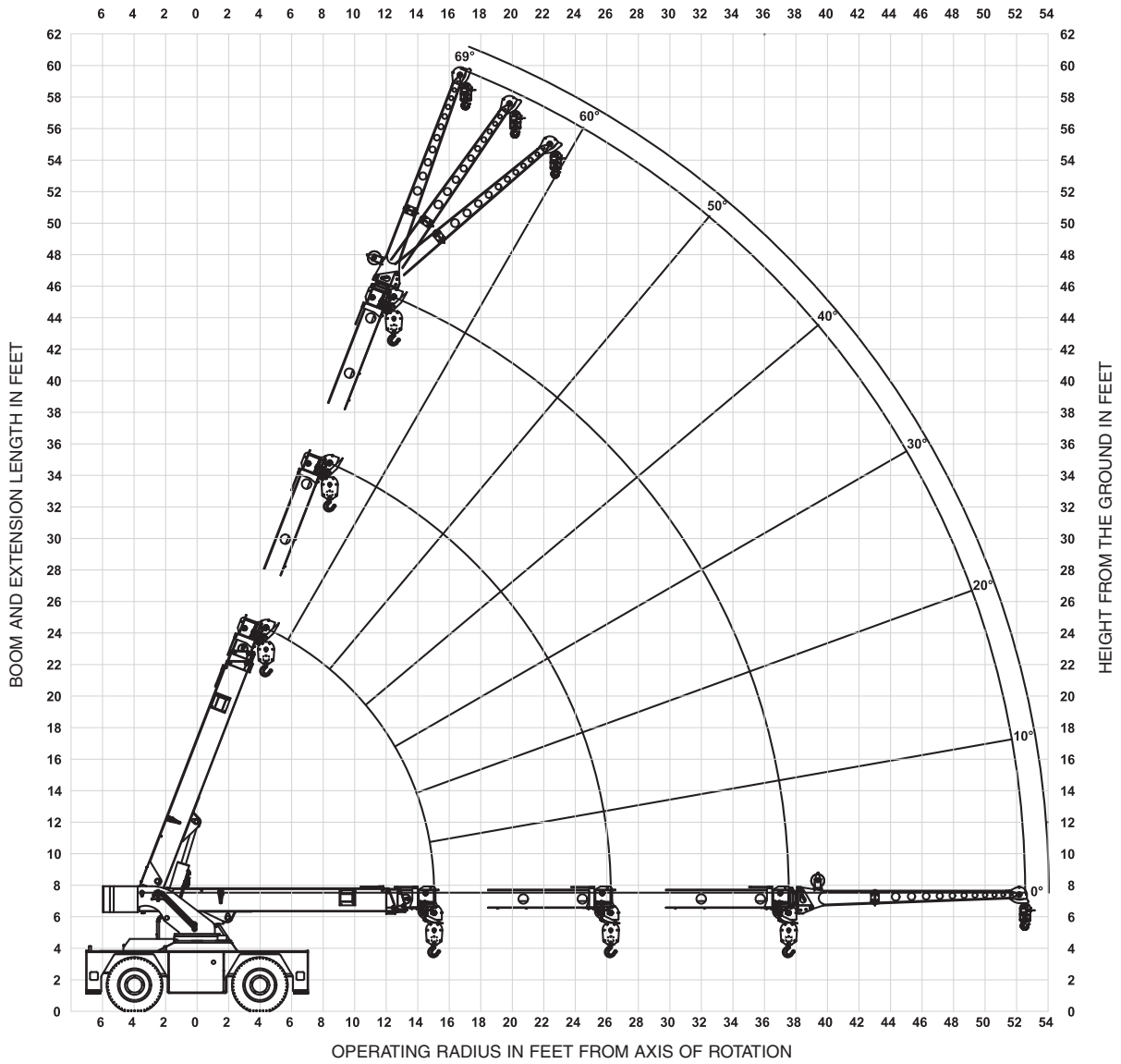
YB5500 Series

range diagram

3-SECTION BOOM

YB5515

6



YB5500 Series

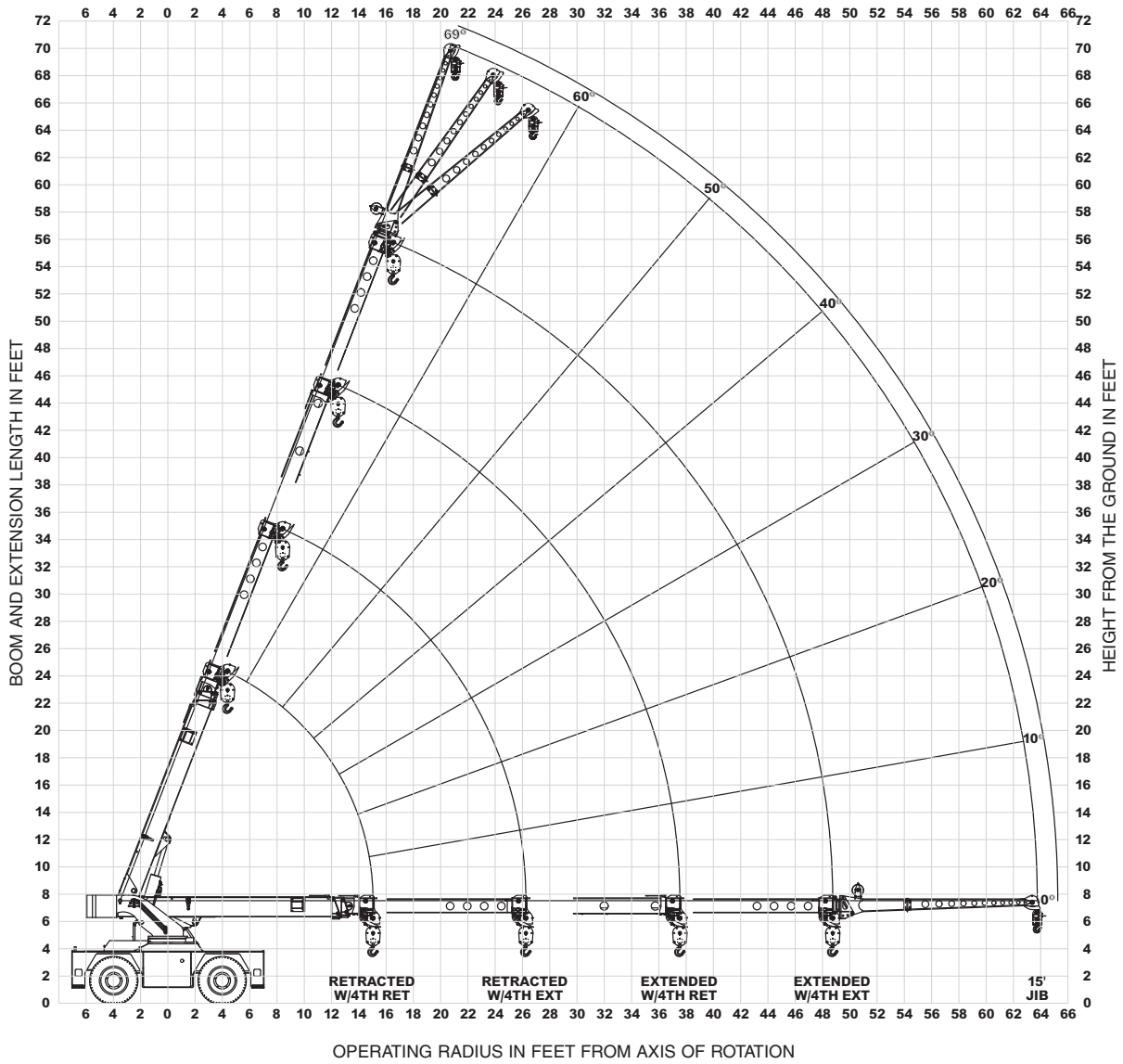
THIS CHART IS ONLY A GUIDE AND SHOULD NOT BE USED TO OPERATE THE CRANE. The individual crane's load chart, operating instructions and other instructional plates must be read and understood prior to operating the crane.

GROVE

range diagram

YB5515

4-SECTION BOOM



7

YB5500 Series

THIS CHART IS ONLY A GUIDE AND SHOULD NOT BE USED TO OPERATE THE CRANE. The individual crane's load chart, operating instructions and other instructional plates must be read and understood prior to operating the crane.

GROVE

load chart

YB5515 w/3-section boom

8

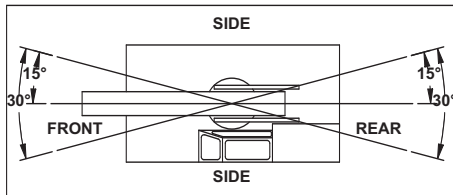
| | RADIUS (ft) | ON OUTRIGGERS (lbs) | | ON RUBBER (lbs) | |
|-----------|-------------|---------------------|-------|-----------------|-------|
| | | F/R | 360° | F/R | 360° |
| MAIN BOOM | 6.0 | 30000 | 30000 | 17000 | 17000 |
| | 8.0 | 26200 | 26200 | 13500 | 14600 |
| | 10.0 | 22300 | 22300 | 10700 | 10880 |
| | 12.0 | 18600 | 18600 | 8710 | 8100 |
| | 14.0 | 14800 | 14800 | 7210 | 6000 |
| | 15.0 | 13000 | 13000 | 6600 | 5250 |
| | 16.0 | 12200 | 12200 | 6060 | 4760 |
| | 18.0 | 10800 | 10800 | 5120 | 3900 |
| | 20.0 | 9630 | 9180 | 4370 | 3190 |
| | 22.0 | 8640 | 7480 | 3710 | 2660 |
| | 24.0 | 7790 | 6210 | 3070 | 2200 |
| | 26.0 | 7040 | 5310 | 2620 | 1820 |
| | 28.0 | 6420 | 4740 | 2260 | 1530 |
| | 30.0 | 5700 | 4290 | 1990 | 1320 |
| | 32.0 | 5060 | 3920 | 1790 | 1160 |
| | 34.0 | 4510 | 3580 | 1610 | 1040 |
| | 36.0 | 4020 | 3260 | 1460 | 930 |
| | 37.5 | 3700 | 3060 | 1370 | 860 |
| | JIB | 40.0 | 3480 | 2860 | 1270 |
| 42.0 | | 3310 | 2700 | 1190 | 740 |
| 44.0 | | 3130 | 2560 | 1120 | 690 |
| 46.0 | | 2960 | 2410 | 1040 | 640 |
| 48.8 | | 2710 | 2210 | 930 | 570 |
| 52.5 | | 2390 | 1940 | 790 | 480 |

| MAIN BOOM ANGLE (deg) | JIB STRUCTURAL CAPACITIES (lbs) | | |
|-----------------------|---------------------------------|------|------|
| | 0° | 15° | 30° |
| 69 | 6000 | 3900 | 2800 |
| 65 | 5000 | 3500 | 2550 |
| 60 | 4300 | 3150 | 2350 |
| 55 | 3800 | 2850 | 2200 |
| 50 | 3400 | 2600 | 2100 |
| 45 | 3050 | 2400 | 2000 |
| 40 | 2800 | 2250 | 1950 |
| 35 | 2600 | 2150 | 1900 |
| 30 | 2400 | 2080 | 1850 |
| 25 | 2300 | 2050 | - |
| 20 | 2200 | 2000 | - |
| 15 | 2100 | 1950 | - |
| 10 | 2050 | - | - |
| 5 | 2020 | - | - |
| 0 | 2000 | - | - |

JIB CAPACITY IS LIMITED BY BOTH STRUCTURAL CAPACITY CHART AND MAIN CAPACITY CHART.

SHADED AREAS ARE GOVERNED BY STRUCTURAL STRENGTH, DO NOT RELY ON TIPPING.

OPERATION OF THIS EQUIPMENT IN EXCESS OF RATING CHARTS AND DISREGARD OF INSTRUCTIONS IS DANGEROUS AND VOIDS WARRANTY.



| REDUCTION CHART | | |
|-----------------|------------------------|------------------|
| | FROM MAIN BOOM RATINGS | FROM JIB RATINGS |
| MAIN BLOCK | 210 lbs | N/A |
| HOOK & BALL | 100 lbs | 100 lbs |
| JIB, STOWED | 0 lbs | N/A |
| JIB, DEPLOYED | 700 lbs | 0 lbs |

| RIGGING CHART | |
|---|-----------------------|
| | |
| 1-PART 0-7500 lbs | 4-PART 0-30000 lbs |
| WIRE ROPE: 1/2 inch diameter Min. breaking strength 26250 lbs. | |

- The rated loads are the maximum lifting capacities as determined by operating radius only. Any combination of boom lengths and angles may be used to obtain operating radius. The operating radius is the horizontal distance from a projection of the axis of rotation to the supporting surface, before loading, to the center of vertical hoist line or tackle with load applied.
- The rated loads shown on outriggers do not exceed 85% of actual tipping. The rated loads shown on rubber do not exceed 75% of actual tipping. These ratings are based on freely suspended loads with the crane leveled, standing on a firm, uniform supporting surface. Practical working loads depend on supporting surface, operating radius and other factors affecting stability. Hazardous surroundings, climatic conditions, experience of operator and proper training must be taken into account by the operator.
- The weights of all load handling devices, such as hooks, hook blocks, slings, etc., except the hoist rope, shall be considered as part of the load. See reduction chart.
- Ratings on outriggers are with outriggers fully extended.
- Ratings on rubber depend on tire capacity, condition of tires and proper inflation pressure (120 psi). Loads on rubber may be transported at a maximum speed of 2.5 mph on a smooth, hard, level surface with the boom retracted to the shortest length possible and centered over the front.
- For operating radius not shown, use load rating of next larger radius.
- The maximum combined total boom and deck load is 16000 lbs. The maximum deck load only is 20000 lbs.
- Do not induce any external side loads to boom or jib.

THIS CHART IS ONLY A GUIDE AND SHOULD NOT BE USED TO OPERATE THE CRANE. The individual crane's load chart, operating instructions and other instructional plates must be read and understood prior to operating the crane.

load chart

YB5515 w/ 4-section boom

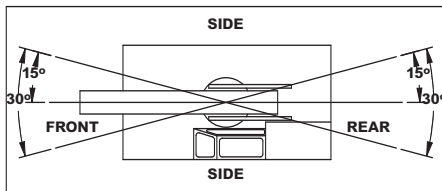
| RADIUS (ft) | 4TH RETRACTED | | | | RADIUS (ft) | 4TH EXTENDED | | | |
|-------------|---------------------|-------|-----------------|-------|-------------|---------------------|-------|-----------------|-------|
| | ON OUTRIGGERS (lbs) | | ON RUBBER (lbs) | | | ON OUTRIGGERS (lbs) | | ON RUBBER (lbs) | |
| | F/R | 360° | F/R | 360° | | F/R | 360° | F/R | 360° |
| 6.0 | 30000 | 30000 | 17000 | 17000 | 6.0 | - | - | - | - |
| 8.0 | 26200 | 26200 | 13500 | 14600 | 8.0 | 11000 | 11000 | 11000 | 11000 |
| 10.0 | 22300 | 22300 | 10700 | 11000 | 10.0 | 10700 | 10700 | 10700 | 10700 |
| 12.0 | 18600 | 18600 | 8710 | 7650 | 12.0 | 9250 | 9250 | 9250 | 9250 |
| 14.0 | 14800 | 14800 | 7210 | 5480 | 14.0 | 8290 | 8390 | 7760 | 7500 |
| 15.0 | 13000 | 13000 | 6600 | 4890 | 15.0 | 8200 | 8200 | 7150 | 6080 |
| 16.0 | 12200 | 12200 | 6060 | 4500 | 16.0 | 8110 | 8110 | 6610 | 5510 |
| 18.0 | 10800 | 10600 | 4950 | 3750 | 18.0 | 7950 | 7950 | 5680 | 4500 |
| 20.0 | 9630 | 8630 | 3980 | 3080 | 20.0 | 7820 | 7820 | 4730 | 3560 |
| 22.0 | 8640 | 7350 | 3230 | 2460 | 22.0 | 7710 | 7710 | 3980 | 3000 |
| 24.0 | 7790 | 6460 | 2720 | 1990 | 24.0 | 7630 | 7270 | 3410 | 2520 |
| 26.0 | 6800 | 5700 | 2360 | 1610 | 26.0 | 7100 | 6330 | 2940 | 2150 |
| 28.0 | 5820 | 5040 | 2100 | 1410 | 28.0 | 6590 | 5420 | 2550 | 1840 |
| 30.0 | 5020 | 4420 | 1880 | 1220 | 30.0 | 5710 | 4760 | 2190 | 1580 |
| 32.0 | 4400 | 3950 | 1650 | 1070 | 32.0 | 5180 | 4080 | 1880 | 1360 |
| 34.0 | 3930 | 3570 | 1460 | 920 | 34.0 | 4680 | 3570 | 1600 | 1160 |
| 36.0 | 3510 | 3190 | 1280 | 770 | 36.0 | 4250 | 3190 | 1370 | 990 |
| 37.5 | 3210 | 2890 | 1180 | 680 | 37.5 | 3830 | 2970 | 1240 | 880 |
| 40.0 | 2950 | 2600 | 1070 | 610 | 40.0 | 3400 | 2700 | 1070 | 740 |
| 42.0 | 2760 | 2430 | 970 | 550 | 42.0 | 3150 | 2490 | 960 | 630 |
| 44.0 | 2590 | 2250 | 890 | 500 | 44.0 | 2890 | 2300 | 870 | 540 |
| 46.0 | 2430 | 2090 | 800 | 450 | 46.0 | 2630 | 2130 | 790 | 470 |
| 48.8 | 2240 | 1850 | 680 | 380 | 48.8 | 2320 | 1930 | 710 | 370 |
| 52.5 | 2030 | 1480 | 500 | 290 | 52.5 | 2070 | 1710 | 590 | 280 |
| 58.0 | - | - | - | - | 58.0 | 1720 | 1380 | 420 | 170 |
| 63.8 | - | - | - | - | 63.8 | 1330 | 1020 | 230 | 60 |

| MAIN BOOM ANGLE (deg) | JIB STRUCTURAL CAPACITIES (lbs) | | | | | |
|-----------------------|---------------------------------|------|------|--------------|------|------|
| | 4TH RETRACTED | | | 4TH EXTENDED | | |
| | 0° | 15° | 30° | 0° | 15° | 30° |
| 69 | 6000 | 3900 | 2800 | 5180 | 3900 | 2800 |
| 65 | 5000 | 3500 | 2550 | 4970 | 3500 | 2550 |
| 60 | 4300 | 3150 | 2350 | 4300 | 3150 | 2350 |
| 55 | 3800 | 2850 | 2200 | 3800 | 2850 | 2200 |
| 50 | 3400 | 2600 | 2100 | 3400 | 2600 | 2100 |
| 45 | 3050 | 2400 | 2000 | 3050 | 2400 | 2000 |
| 40 | 2800 | 2250 | 1950 | 2800 | 2250 | 1950 |
| 35 | 2600 | 2150 | 1900 | 2600 | 2150 | 1900 |
| 30 | 2400 | 2080 | 1850 | 2400 | 2080 | 1850 |
| 25 | 2300 | 2050 | - | 2300 | 2050 | - |
| 20 | 2200 | 2000 | - | 2200 | 2000 | - |
| 15 | 2100 | 1950 | - | 2100 | 1950 | - |
| 10 | 2050 | - | - | 2050 | - | - |
| 5 | 2020 | - | - | 2020 | - | - |
| 0 | 2000 | - | - | 2000 | - | - |

JIB CAPACITY IS LIMITED BY BOTH STRUCTURAL CAPACITY CHART AND MAIN CAPACITY CHART.

SHADED AREAS ARE GOVERNED BY STRUCTURAL STRENGTH, DO NOT RELY ON TIPPING.

OPERATION OF THIS EQUIPMENT IN EXCESS OF RATING CHARTS AND DISREGARD OF INSTRUCTIONS IS DANGEROUS AND VOIDS WARRANTY.



| REDUCTION CHART | | |
|-----------------|------------------------|------------------|
| | FROM MAIN BOOM RATINGS | FROM JIB RATINGS |
| MAIN BLOCK | 210 lbs | N/A |
| HOOK & BALL | 100 lbs | 100 lbs |
| JIB, STOWED | 0 lbs | N/A |
| JIB, DEPLOYED | 700 lbs | 0 lbs |

| RIGGING CHART | |
|---|-------------------------------|
| <p>1-PART 0-7500 lbs</p> | <p>4-PART 0-30000 lbs</p> |
| <p>WIRE ROPE: 1/2 inch diameter Min. breaking strength 26250 lbs.</p> | |

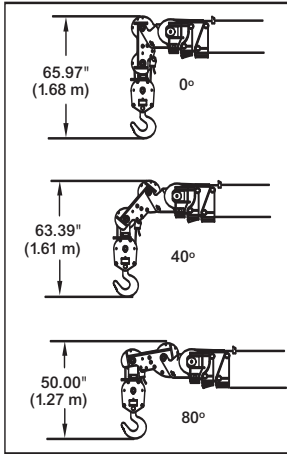
- The rated loads are the maximum lifting capacities as determined by operating radius only. Any combination of boom lengths and angles may be used to obtain operating radius. The operating radius is the horizontal distance from a projection of the axis of rotation to the supporting surface, before loading, to the center of vertical hoist line or tackle with load applied.
- The rated loads shown on outriggers do not exceed 85% of actual tipping. The rated loads shown on rubber do not exceed 75% of actual tipping. These ratings are based on freely suspended loads with the crane leveled, standing on a firm, uniform supporting surface. Practical working loads depend on supporting surface, operating radius and other factors affecting stability. Hazardous surroundings, climatic conditions, experience of operator and proper training must be taken into account by the operator.
- The weights of all load handling devices, such as hooks, hook blocks, slings, etc., except the hoist rope, shall be considered as part of the load. See reduction chart.
- Ratings on outriggers are with outriggers fully extended.
- Ratings on rubber depend on tire capacity, condition of tires and proper inflation pressure (120 psi). Loads on rubber may be transported at a maximum speed of 2.5 mph on a smooth, hard, level surface with the boom retracted to the shortest length possible and centered over the front.
- For operating radius not shown, use load rating of next larger radius.
- The maximum combined total boom and deck load is 16000 lbs. The maximum deck load only is 20000 lbs.
- Do not induce any external side loads to boom or jib.

THIS CHART IS ONLY A GUIDE AND SHOULD NOT BE USED TO OPERATE THE CRANE. The individual crane's load chart, operating instructions and other instructional plates must be read and understood prior to operating the crane.

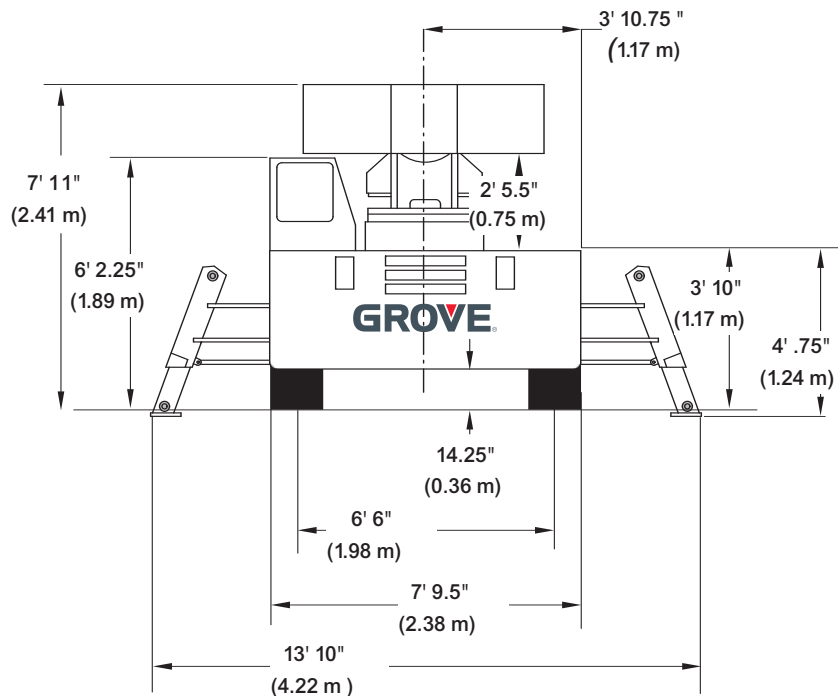
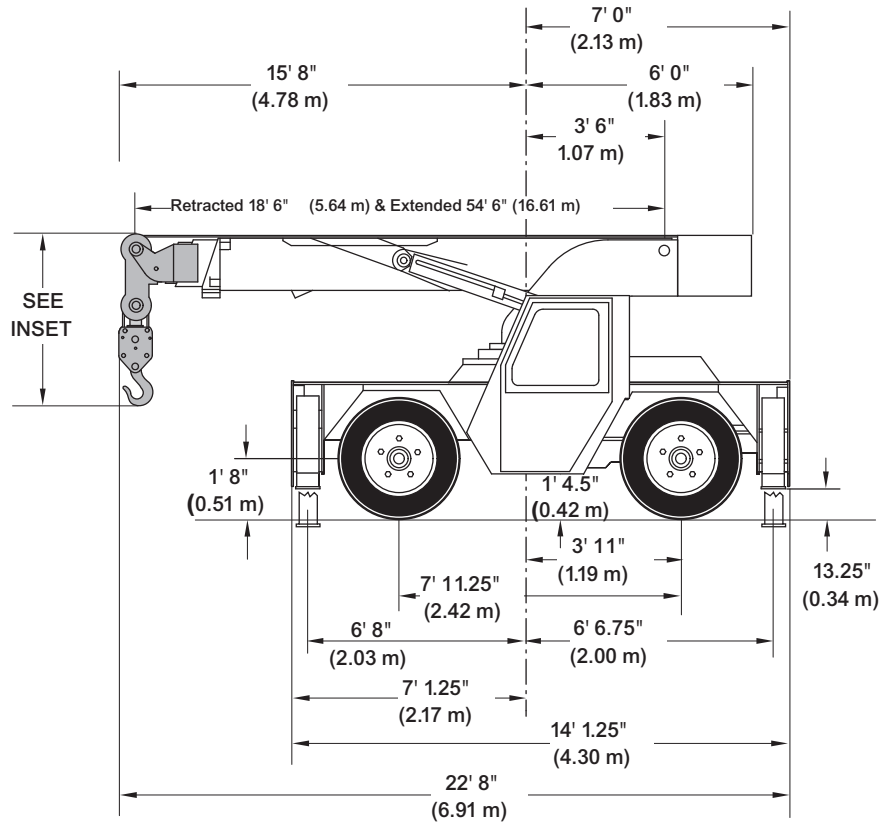
dimensions

YB5518

10



Dimensions are with the boom horizontal and the anti-two block bottomed.

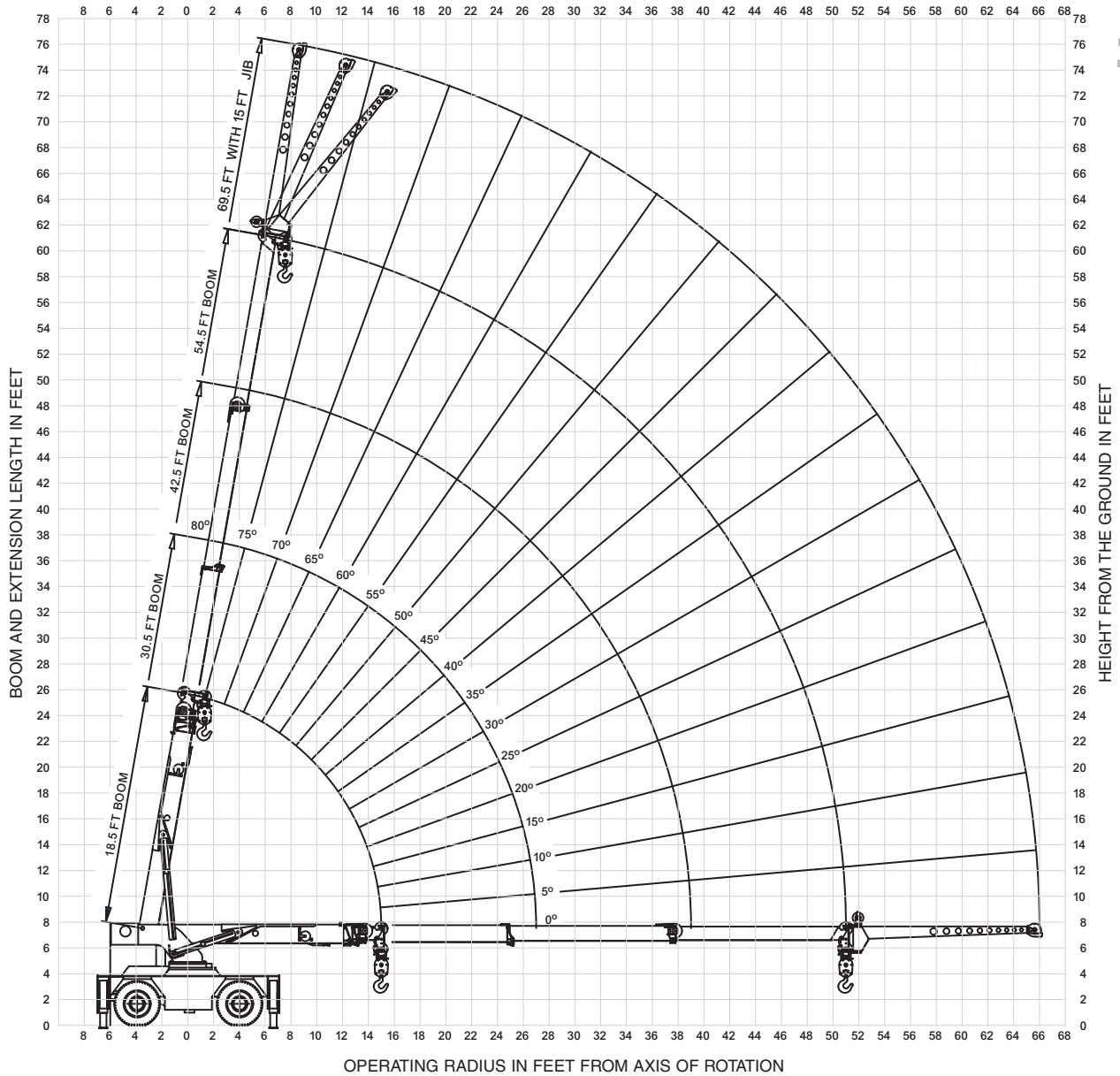


YB5500 Series

THIS CHART IS ONLY A GUIDE AND SHOULD NOT BE USED TO OPERATE THE CRANE. The individual crane's load chart, operating instructions and other instructional plates must be read and understood prior to operating the crane.

range diagram

YB5518



11

YB5500 Series

THIS CHART IS ONLY A GUIDE AND SHOULD NOT BE USED TO OPERATE THE CRANE. The individual crane's load chart, operating instructions and other instructional plates must be read and understood prior to operating the crane.

load chart

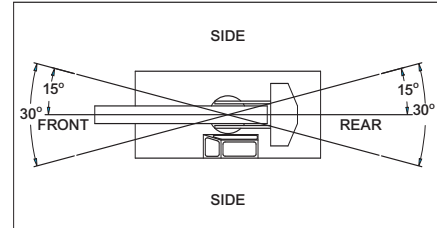
YB5518

12

| MAIN BOOM LOAD RATINGS ON OUTRIGGERS Extended and Down 360° or Retracted and Down Front/Rear | | | | | | | | |
|---|------------------------|------------------------|------------------------|------------------------|------------------------|------------------------|------------------------|------------------------|
| Radius (ft) | 18.5 ft BOOM | | 30.5 ft BOOM | | 42.5 ft BOOM | | 54.5 ft BOOM | |
| | Boom Angle (deg) | Rated Load (lbs) | Boom Angle (deg) | Rated Load (lbs) | Boom Angle (deg) | Rated Load (lbs) | Boom Angle (deg) | Rated Load (lbs) |
| 6 | 64 | 36000 | 75 | 24500 | 79 | 23700 | - | - |
| 8 | 57 | 31500 | 71 | 24500 | 77 | 23000 | 80 | 17400 |
| 10 | 49 | 24000 | 67 | 24000 | 74 | 21500 | 77 | 15800 |
| 12 | 39 | 19500 | 63 | 20000 | 71 | 19700 | 75 | 14000 |
| 14 | 25 | 16200 | 58 | 16800 | 68 | 17000 | 73 | 12600 |
| 15.0 | 0 | 15000 | 56 | 15500 | 66 | 15800 | 72 | 12000 |
| 16 | - | - | 53 | 14400 | 65 | 14600 | 71 | 11400 |
| 18 | - | - | 48 | 12500 | 62 | 12700 | 69 | 10500 |
| 20 | - | - | 43 | 11000 | 59 | 11200 | 66 | 9600 |
| 22 | - | - | 37 | 9800 | 55 | 10000 | 64 | 8900 |
| 24 | - | - | 29 | 8700 | 52 | 9000 | 61 | 8300 |
| 26 | - | - | 18 | 7800 | 48 | 8100 | 59 | 7700 |
| 27.0 | - | - | 0 | 7400 | 46 | 7700 | 58 | 7500 |
| 28 | - | - | - | - | 44 | 7300 | 56 | 7200 |
| 30 | - | - | - | - | 40 | 6500 | 54 | 6700 |
| 32 | - | - | - | - | 36 | 5700 | 51 | 6000 |
| 34 | - | - | - | - | 30 | 5100 | 48 | 5400 |
| 36 | - | - | - | - | 24 | 4500 | 45 | 4800 |
| 38 | - | - | - | - | 15 | 4000 | 42 | 4300 |
| 39.0 | - | - | - | - | 0 | 3900 | 41 | 4000 |
| 40 | - | - | - | - | - | - | 39 | 3800 |
| 42 | - | - | - | - | - | - | 35 | 3400 |
| 44 | - | - | - | - | - | - | 31 | 3100 |
| 46 | - | - | - | - | - | - | 27 | 2900 |
| 48 | - | - | - | - | - | - | 21 | 2700 |
| 51.0 | - | - | - | - | - | - | 0 | 2400 |

| MAIN BOOM ON RUBBER | | |
|------------------------|--------------------------|-------------------------|
| Radius (ft) | Any Boom Length | |
| | Front Rating (lbs) | 360° Rating (lbs) |
| 6 | 16000 | 10900 |
| 8 | 13000 | 8700 |
| 10 | 11000 | 7400 |
| 12 | 9100 | 6400 |
| 14 | 7800 | 5600 |
| 15.0 | 7100 | 5300 |
| 16 | 6500 | 4900 |
| 18 | 5600 | 4200 |
| 20 | 4800 | 3500 |
| 22 | 4200 | 3000 |
| 24 | 3600 | 2500 |
| 26 | 3150 | 2200 |
| 27.0 | 2950 | 2050 |
| 28 | 2800 | 1900 |
| 30 | 2450 | 1650 |
| 32 | 2100 | 1400 |
| 34 | 1900 | 1200 |
| 36 | 1750 | 1000 |
| 38 | 1525 | 850 |
| 39.0 | 1450 | 775 |
| 40 | 1350 | 725 |
| 42 | 1150 | 625 |
| 44 | 1050 | 525 |
| 46 | 950 | 425 |
| 48 | 850 | 300 |
| 51.0 | 700 | 200 |

| RATING REDUCTIONS FOR LOAD HANDLING DEVICES INSTALLED (lbs) | | |
|--|----------------|----------------|
| | FROM MAIN BOOM | FROM JIB |
| MAIN BLOCK | 230 | NOT APPLICABLE |
| HOOK & BALL | 100 | 100 |
| JIB STOWED | NO REDUCTION | NOT APPLICABLE |
| JIB DEPLOYED | 700 | NO REDUCTION |



SHADED AREAS ARE GOVERNED BY STRUCTURAL STRENGTH, DO NOT RELY ON TIPPING.

OPERATION OF THIS EQUIPMENT IN EXCESS OF RATING CHARTS AND DISREGARD OF INSTRUCTIONS IS DANGEROUS AND VOIDS WARRANTY.

| MAIN BOOM LOAD RATINGS ON OUTRIGGERS Retracted and Down 360° | | | | | | | | |
|---|------------------------|------------------------|------------------------|------------------------|------------------------|------------------------|------------------------|------------------------|
| Radius (ft) | 18.5 ft BOOM | | 30.5 ft BOOM | | 42.5 ft BOOM | | 54.5 ft BOOM | |
| | Boom Angle (deg) | Rated Load (lbs) | Boom Angle (deg) | Rated Load (lbs) | Boom Angle (deg) | Rated Load (lbs) | Boom Angle (deg) | Rated Load (lbs) |
| 6 | 64 | 36000 | 75 | 24500 | 79 | 23700 | - | - |
| 8 | 57 | 29000 | 71 | 24500 | 77 | 23000 | 80 | 17400 |
| 10 | 49 | 16000 | 67 | 22000 | 74 | 20000 | 77 | 15800 |
| 12 | 39 | 11400 | 63 | 12900 | 71 | 12800 | 75 | 13000 |
| 14 | 25 | 8900 | 58 | 9900 | 68 | 10200 | 73 | 10600 |
| 15.0 | 0 | 8000 | 56 | 8900 | 66 | 9300 | 72 | 9500 |
| 16 | - | - | 53 | 8100 | 65 | 8500 | 71 | 8500 |
| 18 | - | - | 48 | 6800 | 62 | 7200 | 69 | 7200 |
| 20 | - | - | 43 | 5900 | 59 | 6200 | 66 | 6100 |
| 22 | - | - | 37 | 5000 | 55 | 5200 | 64 | 5300 |
| 24 | - | - | 29 | 4100 | 52 | 4500 | 61 | 4500 |
| 26 | - | - | 18 | 3600 | 48 | 3800 | 59 | 3900 |
| 27.0 | - | - | 0 | 3400 | 46 | 3600 | 58 | 3600 |
| 28 | - | - | - | - | 44 | 3300 | 56 | 3300 |
| 30 | - | - | - | - | 40 | 2900 | 54 | 2800 |
| 32 | - | - | - | - | 36 | 2500 | 51 | 2500 |
| 34 | - | - | - | - | 30 | 2200 | 48 | 2200 |
| 36 | - | - | - | - | 24 | 2000 | 45 | 2000 |
| 38 | - | - | - | - | 15 | 1800 | 42 | 1800 |
| 39.0 | - | - | - | - | 0 | 1700 | 41 | 1700 |
| 40 | - | - | - | - | - | - | 39 | 1600 |
| 42 | - | - | - | - | - | - | 35 | 1400 |
| 44 | - | - | - | - | - | - | 31 | 1300 |
| 46 | - | - | - | - | - | - | 27 | 1100 |
| 48 | - | - | - | - | - | - | 21 | 900 |
| 51.0 | - | - | - | - | - | - | 0 | 700 |

| 15 FT JIB CAPACITIES ON EXTENDED OUTRIGGERS | | | | | |
|---|----------------------------|----------------------------|----------------------------|----------------------------|--------|
| Main Boom Angle (deg) | Jib Offset Angle | | | | |
| | 0 deg | | 15 deg | | 30 deg |
| | To 42.5 ft Main Boom | To 54.5 ft Main Boom | To 42.5 ft Main Boom | To 54.5 ft Main Boom | |
| 80 | - | - | 5000 | 5000 | 3500 |
| 75 | 7500 | - | 4400 | 4400 | 3100 |
| 70 | 6100 | - | 3900 | 3900 | 2800 |
| 65 | 5000 | 4600 | 3500 | 3500 | 2550 |
| 60 | 4300 | 3800 | 3150 | 3150 | 2350 |
| 55 | 3800 | 3300 | 2850 | 2850 | 2200 |
| 50 | 3400 | 2900 | 2600 | 2600 | 2100 |
| 45 | 3050 | 2600 | 2400 | 2400 | 2000 |
| 40 | 2800 | 2400 | 2250 | 2250 | 1950 |
| 35 | 2600 | 2150 | 2150 | 2050 | 1900 |
| 30 | 2400 | 1930 | 2080 | 1850 | 1830 |
| 25 | 2300 | 1750 | 2050 | 1720 | - |
| 20 | 2200 | 1600 | 2000 | 1590 | - |
| 15 | 2100 | 1500 | 1950 | 1520 | - |
| 10 | 2050 | 1460 | - | - | - |
| 5 | 2020 | 1450 | - | - | - |
| 0 | 2000 | 1440 | - | - | - |

- The rated loads are the maximum lift capacities as determined by operating radius, boom length and boom angle. The operating radius is the horizontal distance from a projection of the axis of rotation to the supporting surface, before loading, to the center of vertical hoist line or tackle with load applied.
- The rated loads shown on outriggers do not exceed 85% of actual tipping. The rated loads shown on rubber do not exceed 75% of actual tipping. These ratings are based on freely suspended loads with the crane leveled, standing on a firm, uniform supporting surface. Practical working loads depend on supporting surface, operating radius and other factors affecting stability. Hazardous surroundings, climatic conditions, experience of personnel and proper handling must all be taken into account by the operator.
- The weights of all load handling devices, such as hooks, hook blocks, slings, etc., except the hoist rope, shall be considered as part of the load. See above.
- Ratings on outriggers are for either outriggers fully extended and down or fully retracted and down. Ratings for outriggers fully retracted and down will apply for any intermediate outrigger setting.
- Ratings on rubber depend on tire capacity, condition of tires and proper inflation pressure (120 psi). Loads on rubber may be transported at a maximum speed of 2.5 mph on a smooth hard level surface with boom retracted to the shortest length possible and centered over front. Do not use jib with crane on rubber.
- For operating radius not shown, use load rating of next larger radius.
- The maximum combined total boom and deck load is 16,000 lbs. The maximum deck load only is 20,000 lbs.
- Do not induce any external side loads to boom or jib.

MAXIMUM PERMISSIBLE SINGLE LINE PULL = 9000 lbs

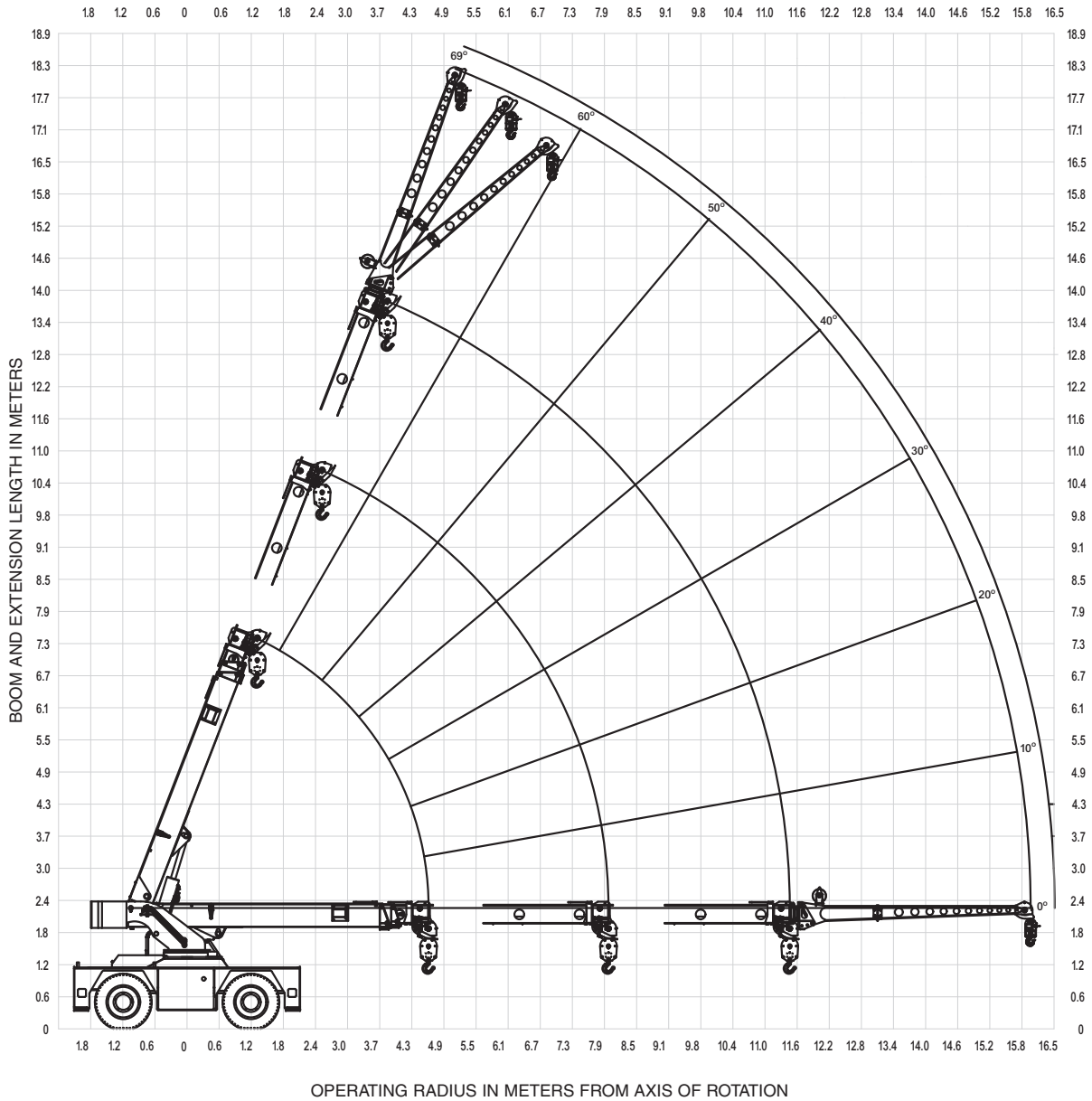
WIRE ROPE: 1/2 inch dia. 10 x 19 EIPS IWRC BRIGHT
Min. req'd breaking strength = 31,500 lbs

THIS CHART IS ONLY A GUIDE AND SHOULD NOT BE USED TO OPERATE THE CRANE. The individual crane's load chart, operating instructions and other instructional plates must be read and understood prior to operating the crane.

YB5500 Series

range diagram

YB5515 (w/3-section boom)



13

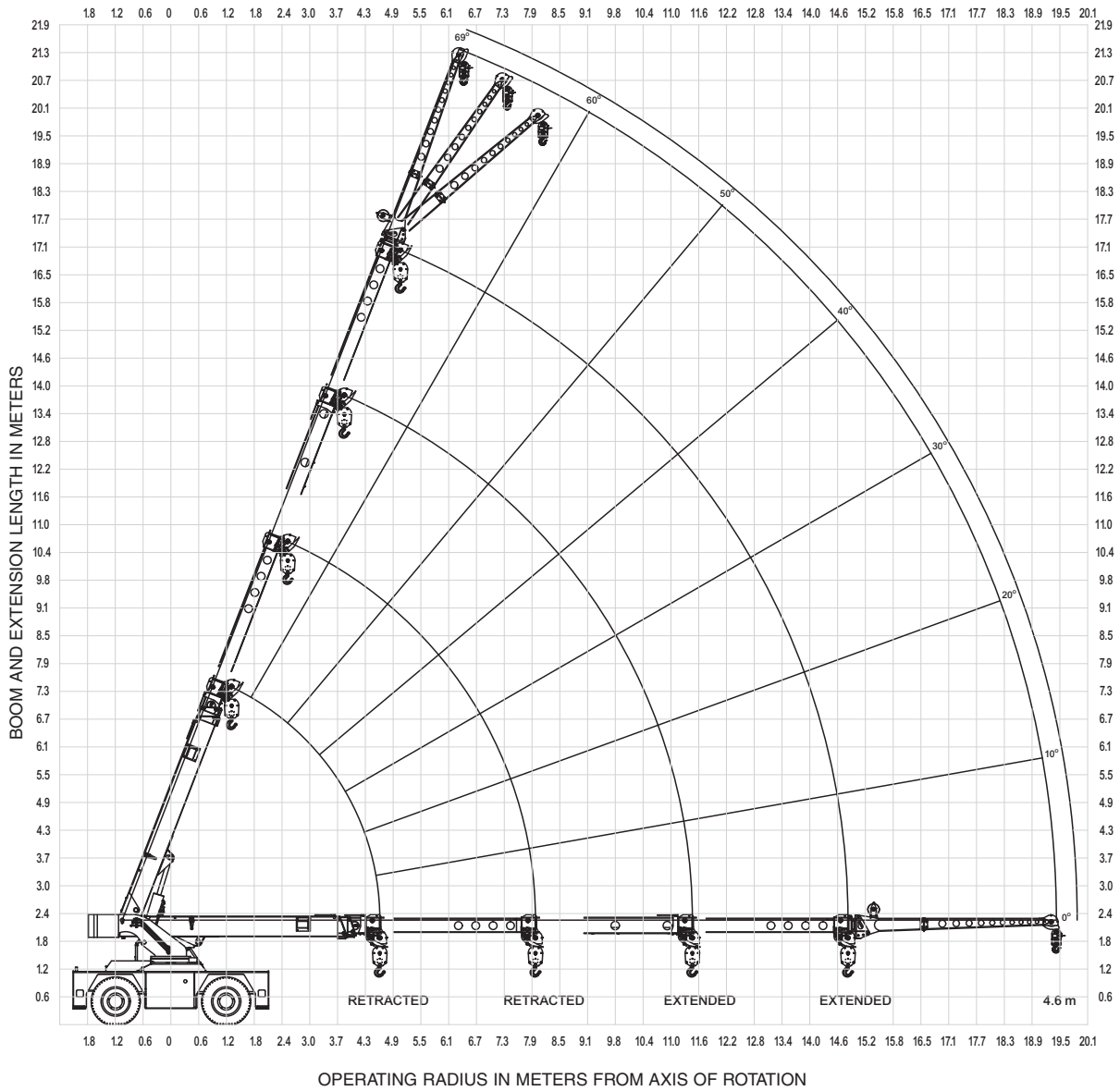
YB5500 Series

THIS CHART IS ONLY A GUIDE AND SHOULD NOT BE USED TO OPERATE THE CRANE. The individual crane's load chart, operating instructions and other instructional plates must be read and understood prior to operating the crane.

range diagram

YB5515 (w/4-section boom)

14



YB5500 Series

THIS CHART IS ONLY A GUIDE AND SHOULD NOT BE USED TO OPERATE THE CRANE. The individual crane's load chart, operating instructions and other instructional plates must be read and understood prior to operating the crane.

DIN/ISO load chart

YB5515 (w/3-section boom)

15

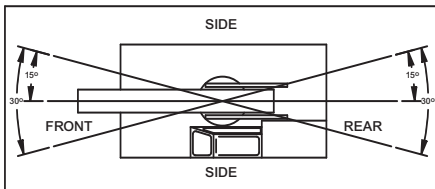
| | RADIUS (m) | ON OUTRIGGERS (kg) | | ON RUBBER (kg) | |
|-----------|------------|--------------------|-------|----------------|------|
| | | F/R | 360° | F/R | 360° |
| MAIN BOOM | 1.8 | 13610 | 13610 | 7710 | 7710 |
| | 2.4 | 11880 | 11880 | 6120 | 6620 |
| | 3.0 | 10120 | 10120 | 4850 | 4860 |
| | 3.7 | 8440 | 8440 | 3950 | 3600 |
| | 4.3 | 6710 | 6710 | 3270 | 2650 |
| | 4.6 | 5900 | 5900 | 2990 | 2310 |
| | 4.9 | 5540 | 5530 | 2750 | 2090 |
| | 5.5 | 4900 | 4750 | 2320 | 1700 |
| | 6.1 | 4370 | 3840 | 1940 | 1370 |
| | 6.7 | 3920 | 3120 | 1610 | 1130 |
| | 7.3 | 3460 | 2570 | 1320 | 920 |
| | 7.9 | 3010 | 2190 | 1110 | 750 |
| | 8.5 | 2660 | 1950 | 950 | 620 |
| | 9.1 | 2350 | 1750 | 830 | 530 |
| | 9.8 | 2080 | 1600 | 740 | 450 |
| 10.4 | 1850 | 1450 | 660 | 400 | |
| 11.0 | 1640 | 1310 | 590 | 350 | |
| 11.4 | 1500 | 1230 | 550 | 320 | |
| JIB | 12.2 | 1410 | 1140 | 500 | 290 |
| | 12.8 | 1330 | 1080 | 470 | 260 |
| | 13.4 | 1260 | 1010 | 430 | 240 |
| | 14.0 | 1190 | 950 | 400 | 220 |
| | 14.9 | 1080 | 870 | 350 | 190 |
| | 16.0 | 940 | 750 | 280 | 140 |

| MAIN BOOM ANGLE (deg) | JIB STRUCTURAL CAPACITIES (kg) | | |
|-----------------------|--------------------------------|------|------|
| | 0° | 15° | 30° |
| | 69 | 2720 | 1770 |
| 65 | 2270 | 1590 | 1160 |
| 60 | 1950 | 1430 | 1070 |
| 55 | 1720 | 1290 | 1000 |
| 50 | 1540 | 1180 | 950 |
| 45 | 1380 | 1090 | 910 |
| 40 | 1270 | 1020 | 880 |
| 35 | 1180 | 980 | 860 |
| 30 | 1090 | 940 | 840 |
| 25 | 1040 | 930 | - |
| 20 | 1000 | 910 | - |
| 15 | 950 | 880 | - |
| 10 | 930 | - | - |
| 5 | 920 | - | - |
| 0 | 910 | - | - |

JIB CAPACITY IS LIMITED BY BOTH STRUCTURAL CAPACITY CHART AND MAIN CAPACITY CHART.

SHADED AREAS ARE GOVERNED BY STRUCTURAL STRENGTH, DO NOT RELY ON TIPPING.

OPERATION OF THIS EQUIPMENT IN EXCESS OF RATING CHARTS AND DISREGARD OF INSTRUCTIONS IS DANGEROUS AND VOIDS WARRANTY.



| REDUCTION CHART | | |
|-----------------|------------------------|------------------|
| | FROM MAIN BOOM RATINGS | FROM JIB RATINGS |
| MAIN BLOCK | 100 kg | N/A |
| HOOK & BALL | 50 kg | 50 kg |
| JIB, STOWED | 0 kg | N/A |
| JIB, DEPLOYED | 320 kg | 0 kg |

| RIGGING CHART | |
|---|------------------------------|
| <p>1-PART 0-3400 kg</p> | <p>4-PART 0-13610 kg</p> |
| <p>WIRE ROPE: 13 mm diameter Min. breaking strength 128.4 kN.</p> | |

- The rated loads are the maximum lifting capacities as determined by operating radius only. Any combination of boom lengths and angles may be used to obtain operating radius. The operating radius is the horizontal distance from a projection of the axis of rotation to the supporting surface, before loading, to the center of vertical hoist line or tackle with load applied.
- The rated loads shown on outriggers do not exceed 80% of actual tipping. The rated loads shown on rubber do not exceed 75% of actual tipping. These ratings are based on freely suspended loads with the crane leveled, standing on a firm, uniform supporting surface. Practical working loads depend on supporting surface, operating radius and other factors affecting stability. Hazardous surroundings, climatic conditions, experience of operator and proper training must be taken into account by the operator.
- The weights of all load handling devices, such as hooks, hook blocks, slings, etc., except the hoist rope, shall be considered as part of the load. See reduction chart.
- Ratings on outriggers are with outriggers fully extended.
- Ratings on rubber depend on tire capacity, condition of tires and proper inflation pressure (8.3 bar). Loads on rubber may be transported at a maximum speed of 1.4 km/h on a smooth, hard, level surface with the boom retracted to the shortest length possible and centered over the front.
- For operating radius not shown, use load rating of next larger radius.
- The maximum combined total boom and deck load is 7 260 kgs. The maximum deck load only is 9 070 kgs.
- Do not induce any external side loads to boom or jib.

THIS CHART IS ONLY A GUIDE AND SHOULD NOT BE USED TO OPERATE THE CRANE. The individual crane's load chart, operating instructions and other instructional plates must be read and understood prior to operating the crane.

YB5500 Series

DIN/ISO load chart

YB5515 (w/4-section boom)

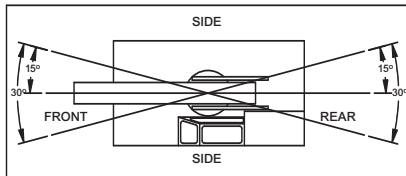
16

| RADIUS (m) | 4TH RETRACTED | | | | RADIUS (m) | 4TH EXTENDED | | | | MAIN BOOM ANGLE (deg) | JIB STRUCTURAL CAPACITIES (kg) | | | | | |
|---------------|--------------------|-------|----------------|------|---------------|--------------------|------|----------------|------|--------------------------------|--------------------------------|------|------|--------------|------|------|
| | ON OUTRIGGERS (kg) | | ON RUBBER (kg) | | | ON OUTRIGGERS (kg) | | ON RUBBER (kg) | | | 4TH RETRACTED | | | 4TH EXTENDED | | |
| | F/R | 360° | F/R | 360° | | F/R | 360° | F/R | 360° | | 0° | 15° | 30° | 0° | 15° | 30° |
| 1.8 | 13610 | 13610 | 7710 | 7710 | 1.8 | - | - | - | - | 69 | 2720 | 1770 | 1270 | 2350 | 1770 | 1270 |
| 2.4 | 11880 | 11880 | 6120 | 6120 | 2.4 | 5030 | 5030 | 5030 | 5030 | 65 | 2270 | 1590 | 1160 | 2250 | 1590 | 1160 |
| 3.0 | 10120 | 10120 | 4860 | 4890 | 3.0 | 4850 | 4850 | 4850 | 4850 | 60 | 1950 | 1430 | 1070 | 1950 | 1430 | 1070 |
| 3.7 | 8440 | 8440 | 3950 | 3390 | 3.7 | 4200 | 4200 | 4200 | 4200 | 55 | 1720 | 1290 | 1000 | 1720 | 1290 | 1000 |
| 4.3 | 6710 | 6710 | 3270 | 2400 | 4.3 | 3760 | 3760 | 3520 | 3320 | 50 | 1540 | 1180 | 950 | 1540 | 1180 | 950 |
| 4.6 | 5900 | 5900 | 2990 | 2140 | 4.6 | 3720 | 3720 | 3240 | 2670 | 45 | 1380 | 1090 | 910 | 1380 | 1090 | 910 |
| 4.9 | 5540 | 5540 | 2670 | 1960 | 4.9 | 3680 | 3680 | 3000 | 2420 | 40 | 1270 | 1020 | 880 | 1270 | 1020 | 880 |
| 5.5 | 4900 | 4450 | 2160 | 1620 | 5.5 | 3610 | 3610 | 2530 | 1960 | 35 | 1180 | 980 | 860 | 1180 | 980 | 860 |
| 6.1 | 4370 | 3600 | 1720 | 1310 | 6.1 | 3550 | 3550 | 2060 | 1530 | 30 | 1090 | 940 | 840 | 1090 | 940 | 840 |
| 6.7 | 3920 | 3050 | 1380 | 1030 | 6.7 | 3500 | 3500 | 1720 | 1280 | 25 | 1040 | 930 | - | 1040 | 930 | - |
| 7.3 | 3320 | 2670 | 1150 | 820 | 7.3 | 3460 | 3020 | 1470 | 1060 | 20 | 1000 | 910 | - | 1000 | 910 | - |
| 7.9 | 2820 | 2340 | 990 | 650 | 7.9 | 3180 | 2620 | 1250 | 890 | 15 | 950 | 880 | - | 950 | 880 | - |
| 8.5 | 2400 | 2060 | 870 | 560 | 8.5 | 2730 | 2230 | 1080 | 750 | 10 | 930 | - | - | 930 | - | - |
| 9.1 | 2050 | 1800 | 770 | 470 | 9.1 | 2350 | 1950 | 910 | 630 | 5 | 920 | - | - | 920 | - | - |
| 9.8 | 1790 | 1600 | 670 | 400 | 9.8 | 2120 | 1660 | 770 | 530 | 0 | 910 | - | - | 910 | - | - |
| 10.4 | 1590 | 1440 | 580 | 340 | 10.4 | 1910 | 1440 | 640 | 450 | | | | | | | |
| 11.0 | 1410 | 1270 | 500 | 270 | 11.0 | 1690 | 1270 | 540 | 370 | | | | | | | |
| 11.4 | 1290 | 1150 | 450 | 230 | 11.4 | 1550 | 1180 | 480 | 320 | | | | | | | |
| 12.2 | 1170 | 1020 | 400 | 190 | 12.2 | 1360 | 1070 | 400 | 250 | | | | | | | |
| 12.8 | 1090 | 950 | 360 | 170 | 12.8 | 1260 | 970 | 350 | 200 | | | | | | | |
| 13.4 | 1020 | 880 | 320 | 150 | 13.4 | 1150 | 890 | 310 | 160 | | | | | | | |
| 14.0 | 950 | 810 | 280 | 120 | 14.0 | 1040 | 820 | 280 | 130 | | | | | | | |
| 14.9 | 870 | 700 | 230 | 90 | 14.9 | 900 | 740 | 240 | 90 | | | | | | | |
| 16.0 | 780 | 550 | 150 | 50 | 16.0 | 800 | 640 | 190 | 50 | | | | | | | |
| 17.7 | - | - | - | - | 17.7 | 650 | 500 | 110 | 0 | | | | | | | |
| 19.4 | - | - | - | - | 19.4 | 480 | 350 | 20 | 0 | | | | | | | |

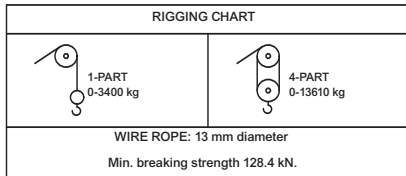
JIB CAPACITY IS LIMITED BY BOTH STRUCTURAL CAPACITY CHART AND MAIN CAPACITY CHART.

SHADED AREAS ARE GOVERNED BY STRUCTURAL STRENGTH, DO NOT RELY ON TIPPING.

OPERATION OF THIS EQUIPMENT IN EXCESS OF RATING CHARTS AND DISREGARD OF INSTRUCTIONS IS DANGEROUS AND VOIDS WARRANTY.



| REDUCTION CHART | | |
|-----------------|------------------------|------------------|
| | FROM MAIN BOOM RATINGS | FROM JIB RATINGS |
| MAIN BLOCK | 100 kg | N/A |
| HOOK & BALL | 50 kg | 50 kg |
| JIB, STOWED | 0 kg | N/A |
| JIB, DEPLOYED | 320 kg | 0 kg |



1) The rated loads are the maximum lifting capacities as determined by operating radius only. Any combination of boom lengths and angles may be used to obtain operating radius. The operating radius is the horizontal distance from a projection of the axis of rotation to the supporting surface, before loading, to the center of vertical hoist line or tackle with load applied.

2) The rated loads shown on outriggers do not exceed 80% of actual tipping. The rated loads shown on rubber do not exceed 75% of actual tipping. These ratings are based on freely suspended loads with the crane leveled, standing on a firm, uniform supporting surface. Practical working loads depend on supporting surface, operating radius and other factors affecting stability. Hazardous surroundings, climatic conditions, experience of operator and proper training must be taken into account by the operator.

3) The weights of all load handling devices, such as hooks, hook blocks, slings, etc., except the hoist rope, shall be considered as part of the load. See reduction chart.

4) Ratings on outriggers are with outriggers fully extended.

5) Ratings on rubber depend on tire capacity, condition of tires and proper inflation pressure (8.3 bar). Loads on rubber may be transported at a maximum speed of 1.4 km/h on a smooth, hard, level surface with the boom retracted to the shortest length possible and centered over the front.

6) For operating radius not shown, use load rating of next larger radius.

7) The maximum combined total boom and deck load is 7 260 kgs. The maximum deck load only is 9 070 kgs.

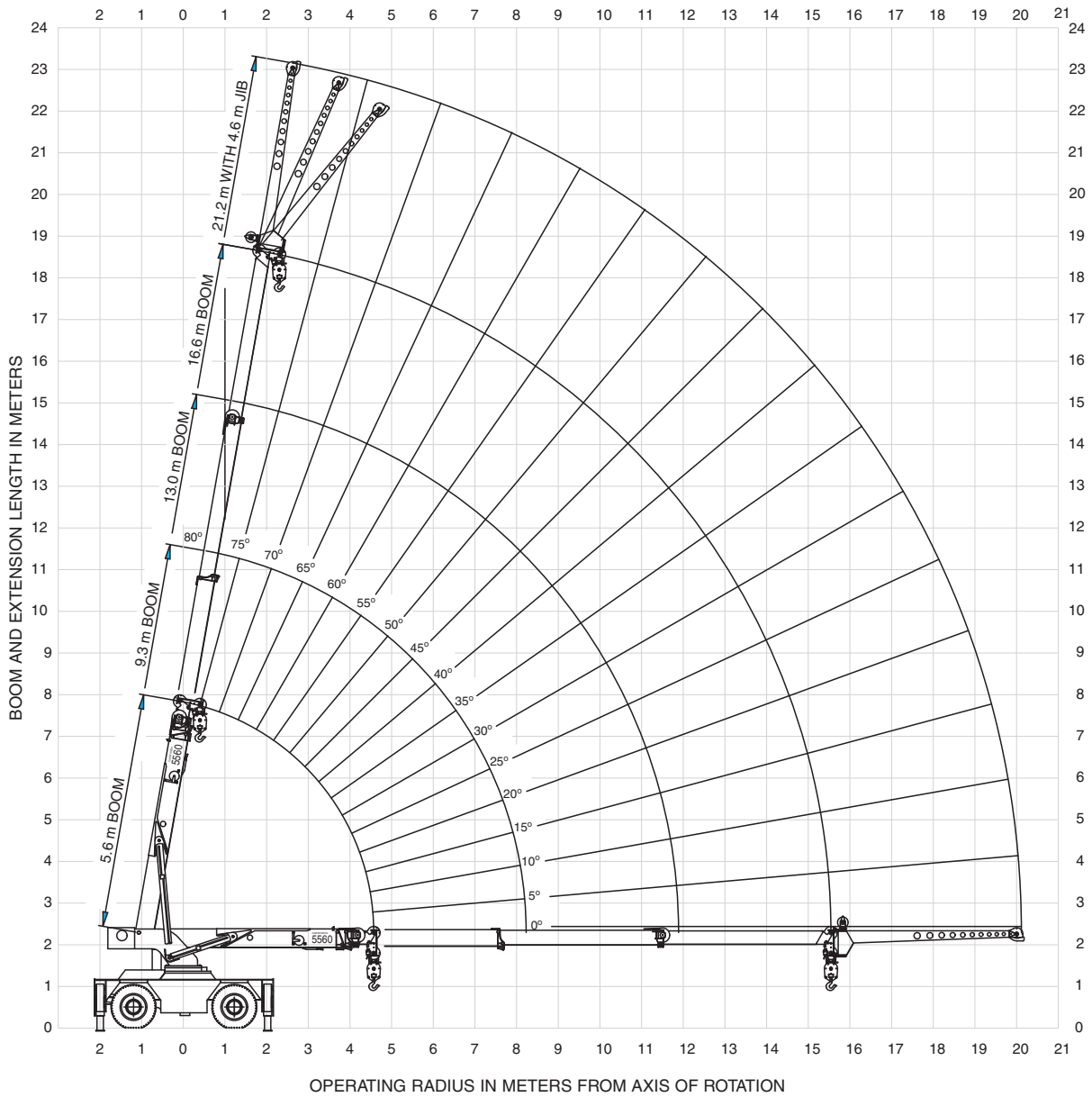
8) Do not induce any external side loads to boom or jib.

THIS CHART IS ONLY A GUIDE AND SHOULD NOT BE USED TO OPERATE THE CRANE. The individual crane's load chart, operating instructions and other instructional plates must be read and understood prior to operating the crane.

YB5500 Series

range diagram

YB5518



17

YB5500 Series

THIS CHART IS ONLY A GUIDE AND SHOULD NOT BE USED TO OPERATE THE CRANE. The individual crane's load chart, operating instructions and other instructional plates must be read and understood prior to operating the crane.

DIN/ISO load chart

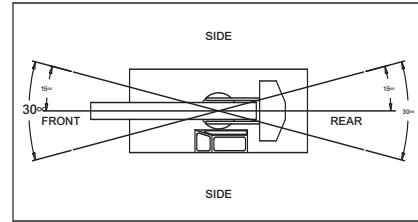
18

YB5518

| MAIN BOOM LOAD RATINGS ON OUTRIGGERS Extended and Down 360° or Retracted and Down Front/Rear | | | | | | | | |
|---|------------------|------------------|------------------|------------------|------------------|------------------|------------------|------------------|
| Radius (m) | 5.6 m BOOM | | 9.3 m BOOM | | 13.0 m BOOM | | 16.6 m BOOM | |
| | Boom Angle (deg) | Rated Load (kgs) | Boom Angle (deg) | Rated Load (kgs) | Boom Angle (deg) | Rated Load (kgs) | Boom Angle (deg) | Rated Load (kgs) |
| 1.8 | 64 | 16330 | 75 | 10560 | 79 | 8230 | - | - |
| 2.4 | 57 | 14290 | 71 | 10430 | 76 | 8000 | 80 | 5860 |
| 3.0 | 48 | 10900 | 67 | 10000 | 74 | 7110 | 77 | 5800 |
| 3.7 | 38 | 8850 | 63 | 8880 | 71 | 6280 | 75 | 5530 |
| 4.3 | 25 | 7120 | 58 | 7260 | 68 | 5610 | 73 | 4920 |
| 4.6 | 0 | 6390 | 56 | 6640 | 66 | 5330 | 72 | 4660 |
| 4.9 | - | - | 53 | 6100 | 65 | 5070 | 71 | 4420 |
| 5.5 | - | - | 48 | 5220 | 62 | 4620 | 68 | 4020 |
| 6.1 | - | - | 43 | 4530 | 59 | 4240 | 66 | 3670 |
| 6.7 | - | - | 36 | 3980 | 55 | 3920 | 64 | 3380 |
| 7.3 | - | - | 29 | 3530 | 52 | 3570 | 61 | 3130 |
| 7.9 | - | - | 18 | 3160 | 48 | 3260 | 59 | 2910 |
| 8.2 | - | - | 0 | 3040 | 46 | 3100 | 58 | 2820 |
| 8.5 | - | - | - | - | 44 | 2960 | 56 | 2750 |
| 9.1 | - | - | - | - | 40 | 2625 | 54 | 2580 |
| 9.8 | - | - | - | - | 36 | 2335 | 51 | 2390 |
| 10.4 | - | - | - | - | 30 | 2050 | 48 | 2170 |
| 11.0 | - | - | - | - | 24 | 1810 | 45 | 1930 |
| 11.6 | - | - | - | - | 15 | 1630 | 42 | 1725 |
| 11.9 | - | - | - | - | 0 | 1550 | 40 | 1630 |
| 12.2 | - | - | - | - | - | - | 39 | 1540 |
| 12.8 | - | - | - | - | - | - | 35 | 1390 |
| 13.4 | - | - | - | - | - | - | 31 | 1270 |
| 14.0 | - | - | - | - | - | - | 26 | 1150 |
| 14.6 | - | - | - | - | - | - | 21 | 1045 |
| 15.5 | - | - | - | - | - | - | 0 | 930 |

| MAIN BOOM ON RUBBER | | |
|---------------------|--------------------|-------------------|
| Radius (m) | Any Boom Length | |
| | Front Rating (kgs) | 360° Rating (kgs) |
| 1.8 | 7260 | 4950 |
| 2.4 | 5680 | 3950 |
| 3.0 | 4500 | 3360 |
| 3.7 | 3620 | 2880 |
| 4.3 | 3040 | 2390 |
| 4.9 | 2570 | 2000 |
| 5.5 | 2190 | 1690 |
| 6.1 | 1890 | 1430 |
| 6.7 | 1640 | 1210 |
| 7.3 | 1420 | 1030 |
| 7.9 | 1220 | 870 |
| 8.5 | 1090 | 740 |
| 9.1 | 950 | 630 |
| 9.8 | 840 | 525 |
| 10.4 | 720 | 430 |
| 11.0 | 610 | 340 |
| 11.6 | 520 | 270 |
| 12.2 | 470 | 215 |
| 12.8 | 400 | 165 |
| 13.4 | 340 | 120 |
| 14.0 | 280 | 80 |
| 14.6 | 230 | 45 |
| 15.5 | 150 | 0 |

| RATING REDUCTIONS FOR LOAD HANDLING DEVICES INSTALLED (kgs) | | |
|---|----------------|----------------|
| | FROM MAIN BOOM | FROM JIB |
| MAIN BLOCK | 95 | NOT APPLICABLE |
| HOOK & BALL | 43 | 43 |
| JIB STOWED | NO REDUCTION | NOT APPLICABLE |
| JIB DEPLOYED | 318 | NO REDUCTION |



SHADED AREAS ARE GOVERNED BY STRUCTURAL STRENGTH, DO NOT RELY ON TIPPING.

OPERATION OF THIS EQUIPMENT IN EXCESS OF RATING CHARTS AND DISREGARD OF INSTRUCTIONS IS DANGEROUS AND VOIDS WARRANTY.

Note: For 360° rating on rubber, rear axle locks must be in place.

| MAIN BOOM LOAD RATINGS ON OUTRIGGERS Retracted and Down 360° | | | | | | | | |
|---|------------------|------------------|------------------|------------------|------------------|------------------|------------------|------------------|
| Radius (m) | 5.6 m BOOM | | 9.3 m BOOM | | 13.0 m BOOM | | 16.6 m BOOM | |
| | Boom Angle (deg) | Rated Load (kgs) | Boom Angle (deg) | Rated Load (kgs) | Boom Angle (deg) | Rated Load (kgs) | Boom Angle (deg) | Rated Load (kgs) |
| 1.8 | 64 | 16330 | 75 | 10560 | 79 | 8230 | - | - |
| 2.4 | 57 | 9760 | 71 | 8450 | 76 | 7500 | 80 | 5850 |
| 3.0 | 48 | 6890 | 67 | 6250 | 74 | 5630 | 77 | 5130 |
| 3.7 | 38 | 5050 | 63 | 4860 | 71 | 4480 | 75 | 4180 |
| 4.3 | 25 | 3700 | 58 | 3910 | 68 | 3660 | 73 | 3420 |
| 4.6 | 0 | 3260 | 56 | 3530 | 66 | 3320 | 72 | 3140 |
| 4.9 | - | - | 53 | 3210 | 65 | 3070 | 71 | 2870 |
| 5.5 | - | - | 48 | 2700 | 62 | 2590 | 68 | 2440 |
| 6.1 | - | - | 43 | 2240 | 59 | 2200 | 66 | 2100 |
| 6.7 | - | - | 36 | 1890 | 55 | 1890 | 64 | 1810 |
| 7.3 | - | - | 29 | 1610 | 52 | 1630 | 61 | 1580 |
| 7.9 | - | - | 18 | 1390 | 48 | 1420 | 59 | 1380 |
| 8.2 | - | - | 0 | 1310 | 46 | 1320 | 58 | 1290 |
| 8.5 | - | - | - | - | 44 | 1220 | 56 | 1210 |
| 9.1 | - | - | - | - | 40 | 1050 | 54 | 1060 |
| 9.8 | - | - | - | - | 36 | 930 | 51 | 920 |
| 10.4 | - | - | - | - | 30 | 830 | 48 | 810 |
| 11.0 | - | - | - | - | 24 | 730 | 45 | 720 |
| 11.6 | - | - | - | - | 15 | 640 | 42 | 650 |
| 11.9 | - | - | - | - | 0 | 610 | 40 | 600 |
| 12.2 | - | - | - | - | - | - | 39 | 560 |
| 12.8 | - | - | - | - | - | - | 35 | 470 |
| 13.4 | - | - | - | - | - | - | 31 | 390 |
| 14.0 | - | - | - | - | - | - | 26 | 320 |
| 14.6 | - | - | - | - | - | - | 21 | 250 |
| 15.5 | - | - | - | - | - | - | 0 | 170 |

| 4.6 m JIB CAPACITIES ON EXTENDED OUTRIGGERS (kgs) | | | | | |
|---|---------------------|---------------------|---------------------|---------------------|--------|
| Main Boom Angle (deg) | Jib Offset Angle | | | | |
| | 0 deg | | 15 deg | | 30 deg |
| | To 13.0 m Main Boom | To 16.6 m Main Boom | To 13.0 m Main Boom | To 16.6 m Main Boom | |
| 80 | - | - | 2270 | 2270 | 1590 |
| 75 | 3450 | - | 2000 | 2000 | 1410 |
| 70 | 2770 | - | 1770 | 1770 | 1240 |
| 65 | 2270 | 2090 | 1590 | 1590 | 1160 |
| 60 | 1950 | 1730 | 1430 | 1420 | 1070 |
| 55 | 1730 | 1460 | 1290 | 1260 | 1000 |
| 50 | 1540 | 1225 | 1180 | 1100 | 930 |
| 45 | 1380 | 1020 | 1090 | 940 | 850 |
| 40 | 1270 | 870 | 1020 | 800 | 780 |
| 35 | 1180 | 760 | 980 | 700 | 700 |
| 30 | 1090 | 680 | 940 | 625 | 630 |
| 25 | 1010 | 610 | 930 | 570 | - |
| 20 | 930 | 565 | 910 | 535 | - |
| 15 | 870 | 550 | 890 | 520 | - |
| 10 | 840 | 535 | - | - | - |
| 5 | 830 | 530 | - | - | - |
| 0 | 825 | 530 | - | - | - |

- The rated loads are the maximum lift capacities as determined by operating radius, boom length and boom angle. The operating radius is the horizontal distance from a projection of the axis of rotation to the supporting surface, before loading, to the center of vertical hoist line or tackle with load applied.
- The rated loads shown on outriggers do not exceed 80% of actual tipping. The rated loads shown on rubber do not exceed 75% of actual tipping. These ratings are based on freely suspended loads with the crane leveled, standing on a firm, uniform supporting surface. Practical working loads depend on supporting surface, operating radius and other factors affecting stability. Hazardous surroundings, climatic conditions, experience of personnel and proper handling must all be taken into account by the operator.
- The weights of all load handling devices, such as hooks, hook blocks, slings, etc., except the hoist rope, shall be considered as part of the load. See above.
- Ratings on outriggers are for either outriggers fully extended and down or fully retracted and down. Ratings for outriggers fully retracted and down will apply for any intermediate outrigger setting.
- Ratings on rubber depend on tire capacity, condition of tires and proper inflation pressure (8.3 bar). Loads on rubber may be transported at a maximum speed of 1.4 km/h on a smooth hard level surface with boom retracted to the shortest length possible and centered over front. Do not use jib with crane on rubber.
- For operating radius not shown, use load rating of next larger radius.
- The maximum combined total boom and deck load is 7 264 kgs. The maximum deck load only is 9 080 kgs.
- Do not induce any external side loads to boom or jib.

MAXIMUM PERMISSIBLE SINGLE LINE PULL = 4 080 kgs

WIRE ROPE: 13 mm dia. 10 x 19 EIPS IWRC BRIGHT
Min. req'd breaking strength = 15 710 kgs

YB5500 Series

THIS CHART IS ONLY A GUIDE AND SHOULD NOT BE USED TO OPERATE THE CRANE. The individual crane's load chart, operating instructions and other instructional plates must be read and understood prior to operating the crane.

Regional Headquarters

Americas

Manitowoc, Wisconsin, USA

Tel: +1 920 684 6621

Fax: +1 920 683 6278

Shady Grove, Pennsylvania, USA

Tel: +1 717 597 8121

Fax: +1 717 597 4062

Regional Offices

Americas

Brazil

Alphaville

Tel: +55 11 4688 2716

Fax: +55 11 4191 1471

Mexico

Monterrey

Tel: +52 81 8124 0128

Fax: +52 81 8124 0129

Europe, Middle East, Africa

Algeria

Hydra

Tel: +21 3 21 48 1173

Fax: +21 3 21 48 1454

Czech Republic

Netvorice

Tel: +420 317 78 9313

Fax: +420 317 78 9314

France

Baudemont

Tel: +33 385 28 2589

Fax: +33 385 28 0430

Cergy

Tel: +33 130 31 3150

Fax: +33 130 38 6085

Decines

Tel: +33 472 81 5000

Fax: +33 472 81 5010

Germany

Langenfeld

Tel: +49 21 73 8909-0

Fax: +49 21 73 8909 30

Hungary

Budapest

Tel: +36 13 39 8622

Fax: +36 13 39 8622

Italy

Parabiago

Tel: +390 331 49 3311

Fax: +390 331 49 3330

Europe, Middle East, Africa

Ecully, France

Tel: +33 472 18 2020

Fax: +33 472 18 2000

Netherlands

Breda

Tel: +31 76 578 3999

Fax: +31 76 578 3978

Poland

Warsaw

Tel: +48 22 843 3824

Fax: +48 22 843 3471

Portugal

Alfena

Tel: +351 229 69 8840

Fax: +351 229 69 8848

Lisbon

Tel: +351 212 109 340

Fax: +351 212 109 349

Russia

Moscow

Tel: +7 495 641 2359

Fax: +7 495 641 2358

U.A.E.

Dubai

Tel: +971 4 3381 861

Fax: +971 4 3382 343

U. K.

Middlesex

Tel: +44 1 895 43 0053

Fax: +44 1 895 45 9500

Sunderland

Tel: +44 191 522 2000

Fax: +44 191 522 2052

Asia – Pacific

Australia

Melbourne

Tel: +61 3 9 336 1300

Fax: +61 3 9 336 1322

Sydney

Tel: +61 2 9 896 4433

Fax: +61 2 9 896 3122

Asia – Pacific

Shanghai, China

Tel: +86 21 51113579

Fax: +86 21 51113578

Singapore

Tel: +65 6264 1188

Fax: +65 6862 4142

China

Beijing

Tel: +86 10 58674761

Fax: +86 10 58674760

Xi'an

Tel: +86 29 87891465

Fax: +86 29 87884504

Korea

Seoul

Tel: +82 2 508 3361

Fax: +82 2 508 3365

Philippines

Makati City

Tel: +63 2 844 9437

Fax: +63 2 844 4712

Factories

U.S.A.

Manitowoc

Shady Grove

Brazil

Alphaville

France

Charlieu

La Clayette

Moulins

India

Calcutta

Puna

Italy

Niella Tanaro

Germany

Wilhelmshaven

Portugal

Fânzeres

China

Zhangjiagang

