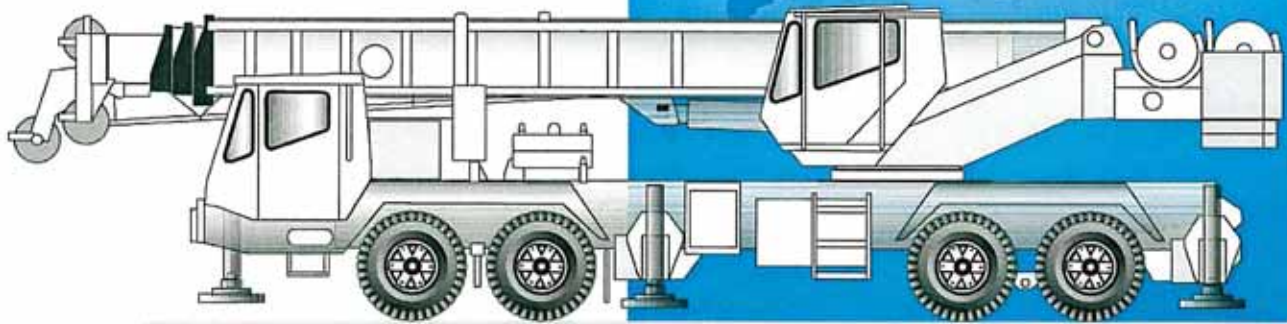


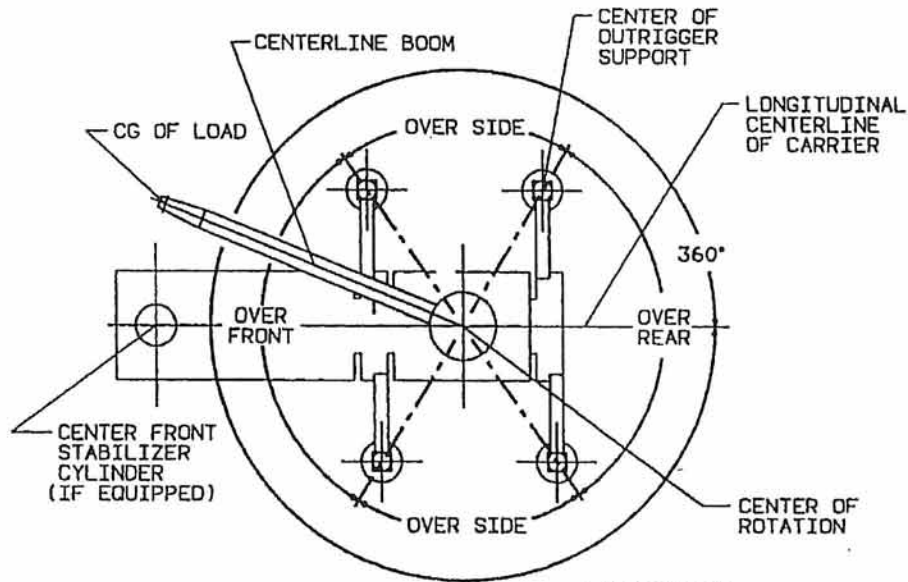
# TMS745B



A GROVE WORLDWIDE COMPANY



**Carrier-Mounted Hydraulic Crane**



6-829-005671

BOLD LINES DETERMINE THE LIMITING POSITION OF ANY  
LOAD FOR OPERATION WITHIN WORKING AREAS INDICATED  
WORKING AREA DIAGRAM

### LINE PULLS AND REEVING INFORMATION

HOISTS	CABLE SPECS.	PERMISSIBLE LINE PULLS
Main & Aux. Model 30	3/4" (19 mm) 18x19Class or 35x7 Rotation Resistant Min. Breaking Str. 64,600 lbs.	12,920 lbs.

### WEIGHT REDUCTIONS FOR LOAD HANDLING DEVICES

32 FT. FIXED BOOM EXTENSION WITH 35 FT. - 110 FT. BOOM	
*Stowed -	267 lbs.
*Erected -	4,250 lbs.
32 - 56 FT. TELE. BOOM EXTENSION WITH 35 FT. - 110 FT. BOOM	
*Stowed -	293 lbs.
*Erected (Retracted) -	6,368 lbs.
*Erected (Extended) -	8,460 lbs.

\*Reduction of main boom capacities

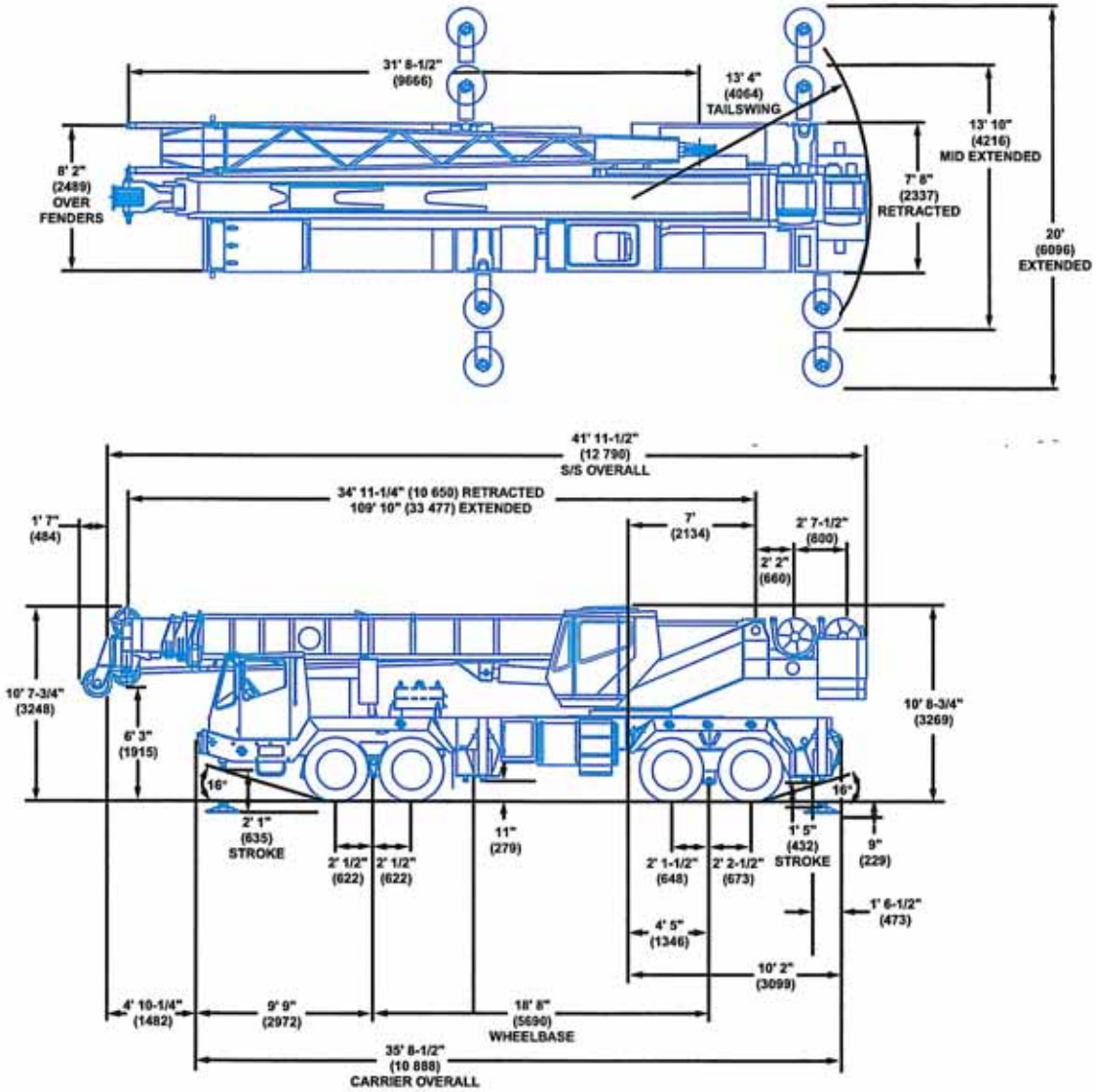
When lifting over swingaway and/or jib combinations, deduct total weight of all load handling devices reeved over main boom nose directly from swingaway or jib capacity.

AUXILIARY BOOM HEAD	143 lbs.
HOOKBLOCKS and HEADACHE BALLS:	
50 Ton, 4 Sheave	1,285 lbs.+
45 Ton, 3 Sheave w/cheekplates	1,095 lbs.+
45 Ton, 3 Sheave w/o cheekplates	895 lbs.+
15 Ton, 1 Sheave	380 lbs.+
7.5 Ton Headache Ball	338 lbs.+
10 Ton Headache Ball	560 lbs.+

+Refer to rating plate for actual weight.

NOTE: All load handling devices and boom attachments are considered part of the load and suitable allowances MUST BE MADE for their combined weights. Weights are for Grove furnished equipment.

# Dimensions



Note: ( ) Reference dimensions in mm

ALLOWABLE WEIGHTS	FRONT	REAR	GVW
	39,504 lbs.	49,680 lbs.	89,184 lbs.
	FRONT	REAR	GVW
Base machine with 110 ft. (33.5 m) boom	28,588 lbs. (12 968 kg)	38,174 lbs. (17 316 kg)	66,762 lbs. (30 283 kg)
32 - 56 ft. (9.8 - 17.1 m) tele swingaway	2,035 lbs. (923 kg)	300 lbs. (136 kg)	2,335 lbs. (1059 kg)
32 ft. (9.8 m) fixed swingaway	1,448 lbs. (657 kg)	169 lbs. (77 kg)	1,617 lbs. (733 kg)
Main and auxiliary hoist w/rope	(194) lbs. [(88 kg)]	685 lbs. (311 kg)	491 lbs. (223 kg)
Auxiliary boom nose	258 lbs. (117 kg)	(115) lbs. [(52 kg)]	143 lbs. (65 kg)
50 ton block	1,525 lbs. (692 kg)	(303) lbs. [(137 kg)]	1,222 lbs. (554 kg)
15 ton block	474 lbs. (215 kg)	(94) lbs. [(43 kg)]	380 lbs. (172 kg)
10 ton ball	699 lbs. (317 kg)	(139) lbs. [(63 kg)]	560 lbs. (254 kg)
7,800 lbs. (3538 kg) cwt. on s/s	(2,926) lbs. [(1327 kg)]	10,726 lbs. (4865 kg)	7,800 lbs. (354 kg)
7,800 lbs. (3538 kg) cwt. on carrier	6,704 lbs. (3041 kg)	1,096 lbs. (497 kg)	7,800 lbs. (354 kg)
3,900 lbs. (1769 kg) cwt. on carrier/3,900 lbs. (1769 kg) on s/s	1,889 lbs. (857 kg)	5,911 lbs. (2681 kg)	7,800 lbs. (354 kg)

Turning Radius . . . . . 43' 9" (13 335 mm)

# Working Range



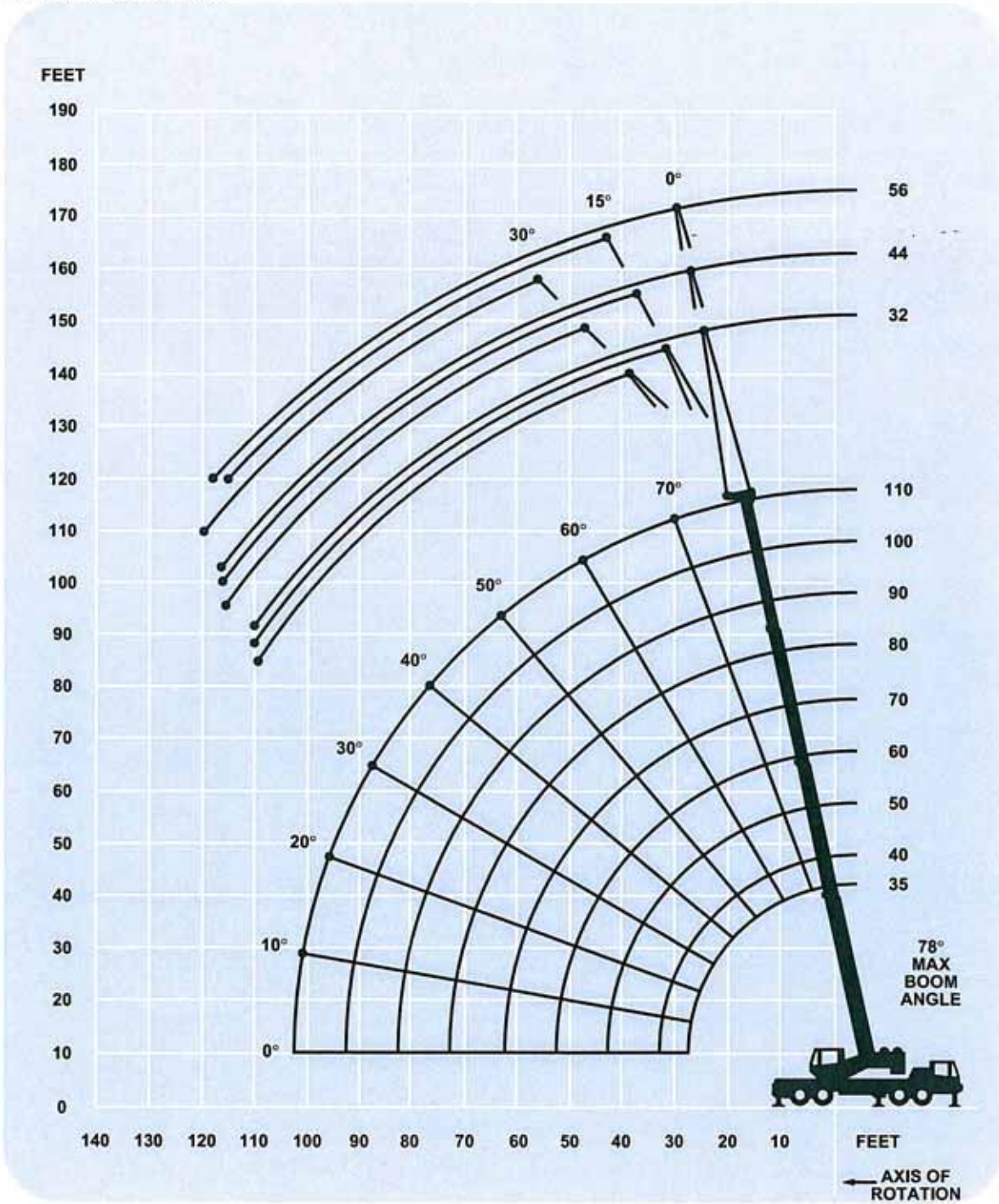
35 - 110 ft.  
(10.6 - 33.5 m)



32 - 44 - 56 ft.  
(9.8 - 13.4 - 17.1 m)



360°



5'-6"

7'-0"

**DIMENSIONS ARE FOR LARGEST GROVE FURNISHED HOOK BLOCK AND HEADACHE BALL, WITH ANTI-TWO BLOCK ACTIVATED.**

# Superstructure specifications

## Boom

35 ft. - 110 ft. (10.6 m - 33.5 m) four-section full power boom. Maximum tip height: 118 ft. (35.9 m).

## Telescoping Swingaway Extension

32 ft. to 44 ft. or 56 ft. (9.8 m to 13.4 m or 17.1 m) telescoping lattice swingaway boom extension offsettable at 0°, 15° or 30°. Stows alongside base boom section. Maximum tip height: 173 ft. (52.7 m).

## \*Optional Fixed Swingaway Extension

32 ft. (9.8 m) lattice swingaway boom extension offsettable at 0°, 15° or 30°. Stows alongside base boom section. Maximum tip height: 149 ft. (45.4 m).

## Boom Nose

Four steel sheaves mounted on heavy duty tapered roller bearings with removable pin-type rope guards. \*Optional auxiliary boom nose.

## Boom Elevation

One double acting hydraulic cylinder with integral holding valve provides elevation from -1° to 78°.

## Load Moment & Anti-Two Block System

Standard load moment and anti-two block system with audio-visual warning and control lever lock-out. These systems provide electronic display of boom length, boom angle, radius, tip height, relative load moment, maximum permissible load and load indication and warning of impending two-block condition.

## Cab

Full vision, all steel fabricated with acoustical lining and tinted safety glass throughout. Deluxe seat incorporates armrest mounted hydraulic single axis controls. Dash panel incorporates gauges for all engine functions. Other standard features include: sliding side and rear windows, electric windshield wash/wipe, circulating air fan, opening skylight with electric skylight wiper, fire extinguisher, and seat belt.

## Swing

Ball bearing swing circle with 360° continuous rotation. Planetary glide swing with foot applied multi-disc wet brake. Spring applied, hydraulically released parking brake, plunger type, mechanical house lock, operated from cab. Maximum speed: 2.5 RPM.

## Counterweight

Integral with superstructure, plus two hydraulically removable sections @ 3,900 lbs. (1769 kg) each, pinned to turntable.

## Hydraulic System

6 main pumps with a combined capacity of 193 G.P.M. (730.5 LPM). Standard pump disconnect for travel.

Three individual valve banks.

Return line type filter with full flow by-pass protection and service indicator. Replaceable cartridge with micron filtration rating of 5/12/16.

218 gallon (825 L) reservoir.

Remote-mounted oil cooler with thermostatically controlled hydraulic motor driven fan.

## HOIST SPECIFICATIONS Main and Auxiliary Hoist Grove H030D-16G

Planetary reduction with automatic spring applied multi-disc brake. Electronic hoist drum rotation indicator, hoist drum cable followers and wire rope.

		High	Low
Maximum Single Line Speed:	1st layer	347 FPM (105 m/min)	161 FPM (49 m/min)
	2nd layer	378 FPM (115 m/min)	175 FPM (53 m/min)
	3rd layer	408 FPM (124 m/min)	189 FPM (57 m/min)
	4th layer	439 FPM (133 m/min)	203 FPM (61 m/min)
	5th layer	469 FPM (142 m/min)	217 FPM (66 m/min)
Maximum Single Line Pull:	1st layer	8,254 lbs. (3744 kg)	16,508 lbs. (7488 kg)
	2nd layer	7,587 lbs. (3441 kg)	15,173 lbs. (6882 kg)
	3rd layer	7,019 lbs. (3183 kg)	14,038 lbs. (6367 kg)
	4th layer	6,530 lbs. (2962 kg)	13,061 lbs. (5924 kg)
	5th layer	6,105 lbs. (2769 kg)	12,211 lbs. (5538 kg)

Maximum Permissible Line Pull w/5:1 Strength Factor 12,920 lbs. (5860 kg)

Maximum Rope Stowage 694 ft. (211 m)  
3/4 in. (19 mm)

Note: 500 ft. (152.4 m) length of 3/4 in. (19 mm) wire rope supplied with basic standard unit.

\*Denotes optional equipment

# Carrier specifications

## Chassis

Box section frame fabricated from high strength, low alloy steel. Integral outrigger housings and front/rear towing and tie down lugs.

## Outrigger System

Hydraulic telescoping, single stage, double box beam outriggers with inverted jacks and integral holding valves. Three position setting: 0%, 50% and fully extended. Intermediate position pins manually. All steel fabricated, quick release type outrigger floats, 24 in. (610 mm) diameter.

Maximum outrigger pad load: 59,044 lbs. (29 665 kg)

## Outrigger Controls

Controls and crane level indicator located in cab.

## Engine

Cummins 6CTA 8.3 L diesel, six cylinders, turbocharged and after cooled, 250 bhp (186 kW) (Gross) @ 2,400 RPM.

Maximum torque: 660 ft. lbs. (895 Nm) @ 1,300 RPM.

## Fuel Tank Capacity

100 gallons (376 L).

## Electrical System

Two 12 V - maintenance free batteries. 12 V lighting/ 12 V starting.

## Drive

8 x 4

## Steering

Front axles, mechanical with hydraulic power assist controlled by steering wheel (dual circuit).

## Transmission

Roadranger 13 speeds forward, 3 reverse.

## Axles

Front: (2) beam type steering axles, 81.8 in. (2.08 m) track.

Rear: (2) single reduction drive, 72.1 in. (1.83 m) track. Inter-axle differential locks.

## Tires

Front: 425/65R22.5-18PR radial highway tread tubeless singles.

Rear: 11:00 x 20-14PR highway tread tube type duals.

## \*Optional Tires

Front: 445/65R22.5-20PR radial highway tread tubeless singles.

Rear: 12:00 x 20-20PR highway tread tube type duals.

## Brakes

Dual line air split system operating on all wheels. Spring-applied, air released parking brake operating on rear axles. Air dryer standard.

## Suspension

Front: Spring mounted tandem.

Rear: Solid mount tandem with equalizing beam and solid steel saddles.

## Lights

Full lighting package including turn indicators, head and tail lights, brake and hazard warning lights.

## Cab

One man design, all steel fabricated with acoustical lining and tinted safety glass throughout. Deluxe fabric covered fully adjustable seat. Complete driving controls and engine instrumentation including tilt telescope steering wheel, tachometer, speedometer, voltmeter, water temp. oil pressure, fuel level, air pressure gauge with A/V warning and engine high temp./low oil pressure A/V warning. Other standard items include hot water heater/defroster, electric windshield wash/wipe, fire extinguisher, seat belt and door and window locks.

## Maximum Speed

50 mph (80 kph)

## Gradeability (Theoretical)

40% (Based on 75,000 lbs. [34 000 kg] GVW)

## Gross Vehicle Weight

BASIC STANDARD MACHINE

G.V.W.: 77,531 lbs. (35 168 kg)

## Miscellaneous Standard Equipment

Full width steel fenders, dual rear view mirrors, electronic back-up alarm, sling/tool box, pump disconnect, 360° positive swing lock, tire inflation kit, air cleaner restriction indicator, chrome muffler guard, block and ball stowage.

## \*Optional Equipment

- \* Amber flashing light
- \* Cab spotlight
- \* Engine block heater
- \* Hookblocks
- \* Pintle hook-rear
- \* Exhaust brake
- \* Dual axis controls
- \* Carrier mounted outrigger controls

*\*Denotes optional equipment*

## ***Weight Reductions for Load Handling Devices***

### **32 ft. (9.8 m) Fixed Boom Extension with 35 ft. - 110 ft. (10.6 m - 33.5 m) Boom**

*Stowed	267 lbs.	(121 kg)
*Erected	4,250 lbs.	(1928 kg)

### **32 ft. - 56 ft. (9.8 m - 17.1 m) Tele Boom Extension with 35 ft. - 110 ft. (10.6 - 33.5 m) Boom**

*Stowed	293 lbs.	(133 kg)
*Erected (Retracted)	6,368 lbs.	(2889 kg)
*Erected (Extended)	8,460 lbs.	(3837 kg)

\*Reduction of main boom capacities:

When lifting over swingaway and/or jib combinations, deduct total weight of all load handling devices reeved over main boom nose directly from swingaway or jib capacity.

NOTE: All load handling devices and boom attachments are considered part of the load and suitable allowances **MUST BE MADE** for their combined weights. Weights are for Grove furnished equipment.

Auxiliary Boom Nose	143 lbs.	(65 kg)
---------------------	----------	---------

Hookblocks and Headache Balls:

+ 50 ton, 4 sheave	1,285 lbs.	(583 kg)
+ 45 ton, 3 sheave w/cheekplates	1,095 lbs.	(497 kg)
+ 45 ton, 3 sheave w/o cheekplates	895 lbs.	(406 kg)
+ 15 ton, 1 sheave	380 lbs.	(172 kg)
+ 7.5 ton headache ball	338 lbs.	(153 kg)
+ 10 ton headache ball	560 lbs.	(254 kg)

+ Refer to rating plate for actual weight.



35 - 110 ft.  
(10.6 - 33.5 m)



7,800 lbs.  
(3538 kg)



100%



Over Rear



(Feet)	35	40	50	*60	70	80	90	100	110
9	@100,000 (67.5)								
9	90,000 (67.5)								
10	80,000 (66)	68,000 (69.5)	58,150 (74)						
12	67,400 (62)	63,800 (66)	55,450 (71.5)	44,600 (75)					
15	58,050 (56)	54,700 (61)	48,050 (67.5)	42,250 (71.5)	35,600 (74.5)	33,000 (77)			
20	44,950 (44.5)	43,000 (52)	39,400 (61)	33,600 (66.5)	30,500 (70.5)	28,000 (73.5)	25,500 (75.5)	23,300 (77.5)	
25	35,200 (28.5)	35,050 (41.5)	32,400 (54)	27,750 (61)	25,200 (66)	23,800 (69.5)	22,000 (72)	20,400 (74.5)	18,500 (76)
30		28,400 (27)	27,150 (46)	23,350 (55)	21,100 (61)	20,400 (65.5)	19,300 (68.5)	17,550 (71.5)	15,750 (73.5)
35			23,200 (36.5)	20,000 (49)	18,050 (56)	17,400 (61.5)	16,400 (65)	15,200 (68)	13,650 (70.5)
40			18,850 (24)	17,250 (41.5)	15,650 (50.5)	15,050 (57)	14,150 (61.5)	13,300 (65)	12,000 (68)
45				15,000 (33)	13,600 (45)	13,200 (52.5)	12,350 (57.5)	11,550 (61.5)	10,600 (65)
50				12,800 (21.5)	11,950 (38.5)	11,600 (47.5)	10,850 (53.5)	10,100 (58.5)	9,500 (62)
55					10,500 (31)	10,300 (42)	9,630 (49.5)	8,950 (54.5)	8,470 (58.5)
60					9,300 (20)	9,130 (36)	8,570 (45)	7,950 (51)	7,500 (55.5)
65						8,120 (29)	7,640 (40)	7,080 (47)	6,670 (52)
70						7,230 (19)	6,800 (34)	6,330 (42.5)	5,940 (48.5)
75							6,060 (27.5)	5,670 (38)	5,300 (45)
80							5,400 (18)	5,080 (32.5)	4,740 (40.5)
85								4,540 (26)	4,230 (36)
90								4,030 (17)	3,780 (31)
95									3,370 (25)
100									2,990 (16)

Minimum boom angle (deg.) for indicated length (no load)

0

Maximum boom length (ft.) at 0 degree boom angle (no load)

110

NOTE: ( ) Boom angles are in degrees.

@Maximum lifting capacity of 100,000 lbs. over rear only within defined arc of 6° either side of centerline.

Boom Angle	35	40	50	*60	70	80	90	100	110
0°	15,500 (27.8)	12,240 (33)	7,860 (43)	4,970 (52.8)	3,670 (63)	2,710 (73)	1,960 (83)	1,360 (93)	880 (102.8)

NOTE: ( ) Reference radii in feet.

\*60 ft. boom length is with inner-mid extended and outer-mid & fly retracted.

A6-829-009967B





35 - 110 ft.  
(10.6 - 33.5 m)



7,800 lbs.  
(3538 kg)



100%



360°



Pounds

(Feet)	35	40	50	*60	70	80	90	100	110
9	90,000 (67.5)								
10	80,000 (66)	68,000 (69.5)	58,150 (74)						
12	67,400 (62)	63,800 (66)	55,450 (71.5)	44,600 (75)					
15	58,050 (56)	54,700 (61)	48,050 (67.5)	42,250 (71.5)	35,600 (74.5)	33,000 (77)			
20	44,950 (44.5)	43,000 (52)	39,400 (61)	33,600 (66.5)	30,500 (70.5)	28,000 (73.5)	25,500 (75.5)	23,300 (77.5)	
25	35,200 (28.5)	35,050 (41.5)	32,400 (54)	27,750 (61)	25,200 (66)	23,800 (69.5)	22,000 (72)	20,400 (74.5)	18,500 (76)
30		28,400 (27)	27,150 (46)	23,350 (55)	21,100 (61)	20,400 (65.5)	19,300 (68.5)	17,550 (71.5)	15,750 (73.5)
35			21,650 (36.5)	20,000 (49)	18,050 (56)	17,400 (61.5)	16,400 (65)	15,200 (68)	13,650 (70.5)
40			17,200 (24)	16,850 (41.5)	15,650 (50.5)	15,050 (57)	14,150 (61.5)	13,300 (65)	12,000 (68)
45				13,350 (33)	13,600 (45)	13,200 (52.5)	12,350 (57.5)	11,550 (61.5)	10,600 (65)
50				10,650 (21.5)	11,450 (38.5)	11,600 (47.5)	10,850 (53.5)	10,100 (58.5)	9,500 (62)
55					9,400 (31)	10,000 (42)	9,630 (49.5)	8,950 (54.5)	8,470 (58.5)
60					7,760 (20)	8,300 (36)	8,570 (45)	7,950 (51)	7,500 (55.5)
65						6,900 (29)	7,340 (40)	7,080 (47)	6,670 (52)
70						5,740 (19)	6,190 (34)	6,330 (42.5)	5,940 (48.5)
75							5,220 (27.5)	5,550 (38)	5,300 (45)
80							4,380 (18)	4,720 (32.5)	4,740 (40.5)
85								4,000 (26)	4,230 (36)
90								3,380 (17)	3,625 (31)
95									3,060 (25)
100									2,570 (16)
Minimum boom angle (deg.) for indicated length (no load)									0
Maximum boom length (ft.) at 0 degree boom angle (no load)									110

NOTE: ( ) Boom angles are in degrees.

Boom Angle	35	40	50	*60	70	80	90	100	110
0°	15,500 (27.8)	12,240 (33)	7,860 (43)	4,970 (52.8)	3,670 (63)	2,710 (73)	1,960 (83)	1,360 (93)	880 (102.8)

NOTE: ( ) Reference radii in feet.

\*60 ft. boom length is with inner-mid extended and outer-mid & fly retracted.

A6-829-009938B



35 - 110 ft.  
(10.6 - 33.5 m)



7,800 lbs.  
(3538 kg)



50%



360°



(Feet)	35	40	50	*60	70	80	90	100	110
9	66,150 (67.5)								
10	61,400 (66)	61,000 (69.5)	58,150 (74)						
12	53,550 (62)	53,150 (66)	52,600 (71.5)	44,600 (75)					
15	44,600 (56)	44,250 (61)	43,750 (67.5)	42,250 (71.5)	35,600 (74.5)	33,000 (77)			
20	35,550 (44.5)	35,200 (52)	33,600 (61)	31,600 (66.5)	30,500 (70.5)	28,000 (73.5)	25,500 (75.5)	23,300 (77.5)	
25	25,650 (28.5)	25,500 (41.5)	23,800 (54)	22,350 (61)	22,500 (66)	22,450 (69.5)	22,000 (72)	20,400 (74.5)	18,500 (76)
30		17,550 (27)	17,700 (46)	16,600 (55)	16,950 (61)	17,100 (65.5)	17,100 (68.5)	17,050 (71.5)	15,750 (73.5)
35			13,650 (36.5)	12,650 (49)	13,050 (56)	13,350 (61.5)	13,500 (65)	13,550 (68)	13,550 (70.5)
40			10,150 (24)	9,510 (41.5)	10,000 (50.5)	10,600 (57)	10,800 (61.5)	10,950 (65)	11,000 (68)
45				7,160 (33)	7,800 (45)	8,520 (52.5)	8,780 (57.5)	8,930 (61.5)	9,030 (65)
50				5,360 (21.5)	6,080 (38.5)	6,710 (47.5)	7,070 (53.5)	7,330 (58.5)	7,460 (62)
55					4,720 (31)	5,280 (42)	5,660 (49.5)	5,950 (54.5)	6,180 (58.5)
60					3,610 (20)	4,120 (36)	4,520 (45)	4,820 (51)	5,080 (55.5)
65						3,160 (29)	3,580 (40)	3,880 (47)	4,140 (52)
70						2,350 (19)	2,780 (34)	3,090 (42.5)	3,350 (48.5)
75							2,100 (27.5)	2,420 (38)	2,670 (45)
80							1,520 (18)	1,840 (32.5)	2,080 (40.5)
85								1,330 (26)	1,570 (36)
90									1,130 (31)

Minimum boom angle (deg.) for indicated length (no load) 27

Maximum boom length (ft.) at 0 degree boom angle (no load) 90

NOTE: ( ) Boom angles are in degrees.

Boom Angle	35	40	50	*60	70	80	90
0°	15,500 (27.8)	12,240 (33)	7,860 (43)	4,510 (52.8)	3,040 (63)	1,920 (73)	1,200 (63)

NOTE: ( ) Reference radii in feet.

\*60 ft. boom length is with inner-mid extended and outer-mid & fly retracted.

A6-829-012610A



35 - 110 ft.  
(10.6 - 33.5 m)



7,800 lbs.  
(3538 kg)



0%



360°



(Feet)	35	40	50	*60	70	80	90	100	110
9	51,650 (67.5)								
10	44,850 (66)	43,900 (69.5)	42,050 (74)						
12	33,200 (62)	32,700 (66)	31,700 (71.5)	30,700 (75)					
15	23,550 (56)	23,350 (61)	23,000 (67.5)	22,700 (71.5)	22,550 (74.5)	22,250 (77)			
20	15,400 (44.5)	15,250 (52)	15,000 (61)	14,800 (66.5)	15,050 (70.5)	15,150 (73.5)	15,050 (75.5)	14,900 (77.5)	
25	11,150 (28.5)	10,900 (41.5)	10,500 (54)	10,100 (61)	10,550 (66)	10,750 (69.5)	10,850 (72)	10,900 (74.5)	10,850 (76)
30		7,710 (27)	7,230 (46)	6,820 (55)	6,960 (61)	7,830 (65.5)	8,020 (68.5)	8,130 (71.5)	8,180 (73.5)
35			5,400 (36.5)	4,540 (49)	4,850 (56)	5,620 (61.5)	5,820 (65)	5,970 (68)	6,210 (70.5)
40			3,430 (24)	2,890 (41.5)	3,320 (50.5)	3,990 (57)	4,230 (61.5)	4,410 (65)	4,660 (68)
45				1,640 (33)	2,160 (45)	2,750 (52.5)	3,020 (57.5)	3,220 (61.5)	3,470 (65)
50					1,260 (38.5)	1,780 (47.5)	2,070 (53.5)	2,290 (58.5)	2,530 (62)
55						1,000 (42)	1,310 (49.5)	1,550 (54.5)	1,770 (58.5)
60									1,100 (55.5)
Minimum boom angle (deg.) for indicated length (no load)									55
Maximum boom length (ft.) at 0 degree boom angle (no load)									50

NOTE: ( ) Boom angles are in degrees.

Boom Angle	35	40	50
0°	9,470 (27.8)	6,250 (33)	2,480 (43)

NOTE: ( ) Reference radii in feet.  
\*60 ft. boom length is with inner-mid extended and outer-mid & fly retracted.

A6-829-012615A



35 - 110 ft.  
(10.6 - 33.5 m)



3,900 lbs.  
(1769 kg)



100%



Over Rear



Pounds

(Feet)	35	40	50	*60	70	80	90	100	110
10	80,000 (66)	68,000 (69.5)	58,150 (74)						
12	67,400 (62)	63,800 (66)	55,450 (71.5)	44,600 (75)					
15	58,050 (56)	54,700 (61)	48,050 (67.5)	42,250 (71.5)	35,600 (74.5)	33,000 (77)			
20	44,950 (44.5)	43,000 (52)	39,400 (61)	33,600 (66.5)	30,500 (70.5)	28,000 (73.5)	25,500 (75.5)	23,300 (77.5)	
25	35,200 (28.5)	34,850 (41.5)	32,400 (54)	27,750 (61)	25,200 (66)	23,800 (69.5)	22,000 (72)	20,400 (74.5)	18,500 (76)
30		27,850 (27)	27,150 (46)	23,350 (55)	21,100 (61)	20,400 (65.5)	19,300 (68.5)	17,550 (71.5)	15,750 (73.5)
35			22,250 (36.5)	20,000 (49)	18,050 (56)	17,400 (61.5)	16,400 (65)	15,200 (68)	13,650 (70.5)
40			18,450 (24)	17,250 (41.5)	15,650 (50.5)	15,050 (57)	14,150 (61.5)	13,300 (65)	12,000 (68)
45				15,000 (33)	13,600 (45)	13,200 (52.5)	12,350 (57.5)	11,550 (61.5)	10,600 (65)
50				12,750 (21.5)	11,950 (38.5)	11,600 (47.5)	10,850 (53.5)	10,100 (58.5)	9,500 (62)
55					10,500 (31)	10,300 (42)	9,630 (49.5)	8,950 (54.5)	8,470 (58.5)
60					9,300 (20)	9,130 (36)	8,570 (45)	7,950 (51)	7,500 (55.5)
65						8,120 (29)	7,640 (40)	7,080 (47)	6,670 (52)
70						7,230 (19)	6,800 (34)	6,330 (42.5)	5,940 (48.5)
75							6,060 (27.5)	5,670 (38)	5,300 (45)
80							5,400 (18)	5,080 (32.5)	4,740 (40.5)
85								4,540 (26)	4,230 (36)
90								4,030 (17)	3,780 (31)
95									3,370 (25)
100									2,990 (16)

Minimum boom angle (deg.) for indicated length (no load)

0

Maximum boom length (ft.) at 0 degree boom angle (no load)

110

NOTE: ( ) Boom angles are in degrees.

Boom Angle	35	40	50	*60	70	80	90	100	110
0°	15,500 (27.8)	12,240 (33)	7,860 (43)	4,970 (52.8)	3,670 (63)	2,710 (73)	1,960 (83)	1,360 (93)	880 (102.8)

NOTE: ( ) Reference radii in feet.

\*60 ft. boom length is with inner-mid extended and outer-mid & fly retracted.

A6-829-009687B



35 - 110 ft.  
(10.6 - 33.5 m)



3,900 lbs.  
(1769 kg)



100%



360°



Pounds

(Feet)	35	40	50	*60	70	80	90	100	110
10	80,000 (66)	68,000 (69.5)	58,150 (74)						
12	67,400 (62)	63,800 (66)	55,450 (71.5)	44,600 (75)					
15	58,050 (56)	54,700 (61)	48,050 (67.5)	42,250 (71.5)	35,600 (74.5)	33,000 (77)			
20	44,950 (44.5)	43,000 (52)	39,400 (61)	33,600 (66.5)	30,500 (70.5)	28,000 (73.5)	25,500 (75.5)	23,300 (77.5)	
25	35,050 (28.5)	34,550 (41.5)	32,400 (54)	27,750 (61)	25,200 (66)	23,800 (69.5)	22,000 (72)	20,400 (74.5)	18,500 (76)
30		25,800 (27)	25,200 (46)	23,350 (55)	21,100 (61)	20,400 (65.5)	19,300 (68.5)	17,550 (71.5)	15,750 (73.5)
35			19,400 (38.5)	19,000 (49)	18,050 (56)	17,400 (61.5)	16,400 (65)	15,200 (68)	13,650 (70.5)
40			15,150 (24)	14,950 (41.5)	15,650 (50.5)	15,050 (57)	14,150 (61.5)	13,300 (65)	12,000 (68)
45				11,500 (33)	12,550 (45)	13,050 (52.5)	12,350 (57.5)	11,550 (61.5)	10,600 (65)
50				8,990 (21.5)	10,050 (38.5)	10,550 (47.5)	10,850 (53.5)	10,100 (58.5)	9,500 (62)
55					8,140 (31)	8,610 (42)	9,120 (49.5)	8,950 (54.5)	8,470 (58.5)
60					6,590 (20)	7,050 (36)	7,540 (45)	7,860 (51)	7,500 (55.5)
65						5,770 (29)	6,240 (40)	6,570 (47)	6,670 (52)
70						4,700 (19)	5,160 (34)	5,500 (42.5)	5,770 (48.5)
75							4,240 (27.5)	4,600 (38)	4,860 (45)
80							3,460 (18)	3,820 (32.5)	4,080 (40.5)
85								3,150 (26)	3,400 (36)
90								2,560 (17)	2,810 (31)
95									2,280 (25)
100									1,810 (16)

Minimum boom angle (deg.) for indicated length (no load)

0

Maximum boom length (ft.) at 0 degree boom angle (no load)

110

NOTE: ( ) Boom angles are in degrees.

Boom Angle	35	40	50	*60	70	80	90	100	110
0°	15,500 (27.8)	12,240 (33)	7,860 (43)	4,970 (52.8)	3,670 (63)	2,710 (73)	1,960 (83)	1,360 (93)	880 (102.8)

NOTE: ( ) Reference radii in feet.

\*60 ft. boom length is with inner-mid extended and outer-mid & fly retracted.

A6-829-009687B



35 - 110 ft.  
(10.6 - 33.5 m)



3,900 lbs.  
(1769 kg)



50%



360°



Pounds

(Feet)	35	40	50	*60	70	80	90	100	110
10	59,900 (66)	59,500 (69.5)	58,150 (74)						
12	52,100 (62)	51,550 (66)	50,850 (71.5)	44,600 (75)					
15	44,150 (56)	43,800 (61)	43,300 (67.5)	42,250 (71.5)	35,600 (74.5)	33,000 (77)			
20	33,150 (44.5)	31,550 (52)	29,150 (61)	27,300 (66.5)	27,200 (70.5)	26,850 (73.5)	25,500 (75.5)	23,300 (77.5)	
25	22,250 (28.5)	22,150 (41.5)	20,400 (54)	19,050 (61)	19,300 (66)	19,350 (69.5)	19,250 (72)	19,100 (74.5)	18,500 (76)
30		15,800 (27)	14,950 (46)	13,900 (55)	14,300 (61)	14,550 (65.5)	14,600 (68.5)	14,600 (71.5)	14,550 (73.5)
35			11,050 (36.5)	10,350 (49)	10,900 (56)	11,200 (61.5)	11,350 (65)	11,450 (68)	11,450 (70.5)
40			8,120 (24)	7,840 (41.5)	8,390 (50.5)	8,740 (57)	8,970 (61.5)	9,110 (65)	9,200 (68)
45				5,730 (33)	6,470 (45)	6,860 (52.5)	7,130 (57.5)	7,310 (61.5)	7,420 (65)
50				4,030 (21.5)	4,970 (38.5)	5,380 (47.5)	5,660 (53.5)	5,870 (58.5)	6,010 (62)
55					3,750 (31)	4,180 (42)	4,480 (49.5)	4,700 (54.5)	4,860 (58.5)
60					2,700 (20)	3,140 (36)	3,500 (45)	3,730 (51)	3,900 (55.5)
65						2,260 (29)	2,680 (40)	2,910 (47)	3,100 (52)
70						1,520 (19)	1,960 (34)	2,220 (42.5)	2,410 (48.5)
75							1,320 (27.5)	1,620 (38)	1,810 (45)
80								1,100 (32.5)	1,290 (40.5)
Minimum boom angle (deg.) for indicated length (no load)									37.5
Maximum boom length (ft.) at 0 degree boom angle (no load)									80

NOTE: ( ) Boom angles are in degrees.

Boom Angle	35	40	50	*60	70	80
0°	15,500 (27.8)	12,240 (33)	6,740 (43)	3,230 (52.8)	2,170 (63)	1,130 (73)

NOTE: ( ) Reference radii in feet.

\*60 ft. boom length is with inner-mid extended and outer-mid & fly retracted.

A6-829-012611A



35 - 110 ft.  
(10.6 - 33.5 m)



3,900 lbs.  
(1769 kg)



0%



360°



(Feet)	35	40	50	*60	70	80	90	100	110
10	41,750 (66)	39,450 (69.5)	35,700 (74)						
12	32,400 (62)	30,700 (66)	27,900 (71.5)	25,700 (75)					
15	23,600 (56)	22,300 (61)	20,300 (67.5)	18,750 (71.5)	18,750 (74.5)	18,550 (77)			
20	15,300 (44.5)	14,350 (52)	12,900 (61)	11,850 (66.5)	12,200 (70.5)	12,300 (73.5)	12,300 (75.5)	12,250 (77.5)	
25	9,050 (28.5)	9,750 (41.5)	8,580 (54)	7,730 (61)	8,220 (66)	8,500 (69.5)	8,660 (72)	8,720 (74.5)	8,730 (76)
30		5,090 (27)	5,650 (46)	4,990 (55)	5,560 (61)	5,920 (65.5)	6,150 (68.5)	6,290 (71.5)	6,370 (73.5)
35			3,540 (36.5)	3,040 (49)	3,650 (56)	4,050 (61.5)	4,330 (65)	4,510 (68)	4,640 (70.5)
40			2,020 (24)	1,580 (41.5)	2,210 (50.5)	2,640 (57)	2,950 (61.5)	3,160 (65)	3,320 (68)
45					1,100 (45)	1,540 (52.5)	1,860 (57.5)	2,100 (61.5)	2,280 (65)
50								1,240 (58.5)	1,430 (62)

Minimum boom angle (deg.) for indicated length (no load)

60

Maximum boom length (ft.) at 0 degree boom angle (no load)

50

NOTE: ( ) Boom angles are in degrees.

Boom Angle	35	40	50
0°	6,250 (27.8)	4,400 (33)	1,290 (43)

NOTE: ( ) Reference radii in feet.

\*60 ft. boom length is with inner-mid extended and outer-mid & fly retracted.

A6-829-012616A



35 - 110 ft.  
(10.6 - 33.5 m)



0 lbs.  
(0 kg)



100%



360°



Pounds

(Feet)	35	40	50	*60	70	80	90	100	110
10	80,000 (66)	68,000 (69.5)	58,150 (74)						
12	67,400 (62)	63,800 (66)	55,450 (71.5)	44,600 (75)					
15	58,050 (56)	54,700 (61)	48,050 (67.5)	42,250 (71.5)	35,600 (74.5)	33,000 (77)			
20	43,600 (44.5)	43,000 (52)	39,400 (61)	33,600 (66.5)	30,500 (70.5)	28,000 (73.5)	25,500 (75.5)	23,300 (77.5)	
25	31,650 (28.5)	31,150 (41.5)	30,500 (54)	27,750 (61)	25,200 (66)	23,800 (69.5)	22,000 (72)	20,400 (74.5)	18,500 (76)
30		23,100 (27)	22,450 (46)	22,050 (55)	21,100 (61)	20,400 (65.5)	19,300 (68.5)	17,550 (71.5)	15,750 (73.5)
35			17,150 (36.5)	16,750 (49)	17,450 (56)	17,400 (61.5)	16,400 (65)	15,200 (68)	13,850 (70.5)
40			13,350 (24)	12,400 (41.5)	13,650 (50.5)	13,700 (57)	14,150 (61.5)	13,300 (65)	12,000 (68)
45				9,260 (33)	10,300 (45)	10,550 (52.5)	11,600 (57.5)	11,550 (61.5)	10,600 (65)
50				6,900 (21.5)	7,840 (38.5)	8,190 (47.5)	9,320 (53.5)	9,530 (58.5)	9,500 (62)
55					5,900 (31)	6,350 (42)	7,530 (49.5)	7,790 (54.5)	7,940 (58.5)
60					4,340 (20)	4,870 (36)	6,100 (45)	6,410 (51)	6,550 (55.5)
65						3,660 (29)	4,930 (40)	5,280 (47)	5,410 (52)
70						2,650 (19)	3,950 (34)	4,330 (42.5)	4,460 (48.5)
75							3,130 (27.5)	3,530 (38)	3,660 (45)
80							2,420 (18)	2,850 (32.5)	2,970 (40.5)
85								2,250 (26)	2,370 (36)
90								1,730 (17)	1,850 (31)
95									1,390 (25)

Minimum boom angle (deg.) for indicated length (no load)

0

Maximum boom length (ft.) at 0 degree boom angle (no load)

110

NOTE: ( ) Boom angles are in degrees.

A6-829-009734

Boom Angle	35	40	50	*60	70	80	90	100
0°	15,490 (27.8)	12,240 (33)	7,860 (43)	4,970 (52.8)	3,550 (63)	2,120 (73)	1,960 (83)	1,360 (93)

NOTE: ( ) Reference radii in feet.

\*60 ft. boom length is with inner-mid extended and outer-mid & fly retracted.

A6-829-009741





35 - 110 ft.  
(10.6 - 33.5 m)



0 lbs.  
(0 kg)



50%



360°



Pounds

(Feet)	35	40	50	*60	70	80	90	100	110
10	58,350 (66)	57,950 (69.5)	57,400 (74)						
12	51,050 (62)	50,700 (66)	50,250 (71.5)	44,600 (75)					
15	45,450 (56)	43,150 (61)	39,450 (67.5)	36,550 (71.5)	35,600 (74.5)	33,000 (77)			
20	28,400 (44.5)	26,950 (52)	24,750 (61)	23,050 (66.5)	23,050 (70.5)	22,900 (73.5)	22,550 (75.5)	22,200 (77.5)	
25	18,750 (28.5)	18,350 (41.5)	17,000 (54)	15,750 (61)	16,100 (66)	16,200 (69.5)	16,200 (72)	16,100 (74.5)	15,950 (76)
30		13,200 (27)	12,200 (46)	11,200 (55)	11,700 (61)	11,950 (65.5)	12,100 (68.5)	12,150 (71.5)	12,100 (73.5)
35			8,980 (36.5)	8,120 (49)	8,680 (56)	9,020 (61.5)	9,240 (65)	9,360 (68)	9,420 (70.5)
40			6,690 (24)	5,870 (41.5)	6,460 (50.5)	6,850 (57)	7,110 (61.5)	7,280 (65)	7,390 (68)
45				3,900 (33)	4,770 (45)	5,100 (52.5)	5,480 (57.5)	5,680 (61.5)	5,820 (65)
50				2,320 (21.5)	3,200 (38.5)	3,530 (47.5)	4,180 (53.5)	4,410 (58.5)	4,570 (62)
55					1,870 (31)	2,280 (42)	3,130 (49.5)	3,370 (54.5)	3,550 (58.5)
60						1,280 (36)	2,260 (45)	2,510 (51)	2,700 (55.5)
65							1,540 (40)	1,790 (47)	1,980 (52)
70								1,170 (42.5)	1,370 (48.5)
Minimum boom angle (deg.) for indicated length (no load)									46
Maximum boom length (ft.) at 0 degree boom angle (no load)									60

NOTE: ( ) Boom angles are in degrees.

Boom Angle	35	40	50	*60
0°	15,150 (27.8)	10,900 (33)	5,810 (43)	1,590 (52.8)

NOTE: ( ) Reference radii in feet.

\*60 ft. boom length is with inner-mid extended and outer-mid & fly retracted.

A6-829-012614



35 - 110 ft.  
(10.6 - 33.5 m)



0 lbs.  
(0 kg)



0%



360°



Pounds

(Feet)	35	40	50	*60	70	80	90	100	110
10	34,750 (66)	32,700 (69.5)	29,350 (74)						
12	26,750 (62)	25,200 (66)	22,700 (71.5)	20,700 (75)					
15	18,350 (56)	17,400 (61)	15,550 (67.5)	14,250 (71.5)	14,900 (74.5)	14,850 (77)			
20	10,800 (44.5)	10,250 (52)	9,220 (61)	8,880 (66.5)	9,310 (70.5)	9,520 (73.5)	9,600 (75.5)	9,600 (77.5)	
25	6,830 (28.5)	6,510 (41.5)	5,880 (54)	5,350 (61)	5,900 (66)	6,230 (69.5)	6,430 (72)	6,550 (74.5)	6,600 (76)
30		4,380 (27)	3,680 (46)	3,000 (55)	3,610 (61)	4,010 (65.5)	4,270 (68.5)	4,450 (71.5)	4,560 (73.5)
35			1,950 (36.5)	1,330 (49)	1,970 (56)	2,400 (61.5)	2,710 (65)	2,920 (68)	3,070 (70.5)
40						1,190 (57)	1,520 (61.5)	1,760 (65)	1,930 (68)
45									1,030 (65)
Minimum boom angle (deg.) for indicated length (no load)									65
Maximum boom length (ft.) at 0 degree boom angle (no load)									40

NOTE: ( ) Boom angles are in degrees.

Boom Angle	35	40
0°	5,260 (27.8)	3,310 (33)

NOTE: ( ) Reference radii in feet.

\*60 ft. boom length is with inner-mid extended and outer-mid & fly retracted.

A6-829-012617



35 - 110 ft.  
(10.6 - 33.5 m)



32 - 56 ft.  
(9.8 - 17.1 m)



7,800 lbs.  
(3538 kg)



100%



360°



(Feet)	32 ft. LENGTH			44 ft. LENGTH			56 ft. LENGTH		
	0° OFFSET	15° OFFSET	30° OFFSET	0° OFFSET	15° OFFSET	30° OFFSET	0° OFFSET	15° OFFSET	30° OFFSET
30	9,500 (78)								
35	8,710 (76)	*7,500 (78)		7,320 (77.5)					
40	8,000 (74)	7,070 (75.5)	*5,800 (78)	6,880 (75.5)			5,560 (77)		
45	7,340 (71.5)	6,760 (73.5)	5,690 (76)	6,490 (74)	5,060 (77.5)		5,250 (75.5)		
50	6,740 (69.5)	6,470 (71.5)	5,440 (73.5)	6,140 (72)	4,840 (75.5)	*3,770 (78)	4,970 (73.5)	3,900 (78)	
55	6,190 (67)	6,210 (69)	5,210 (71.5)	5,820 (69.5)	4,650 (73.5)	3,600 (76)	4,710 (72)	3,740 (76)	
60	5,500 (65)	5,970 (67)	5,010 (69)	5,530 (67.5)	4,460 (71.5)	3,450 (74)	4,480 (70)	3,600 (74.5)	2,650 (78)
65	4,850 (62.5)	5,280 (64.5)	4,820 (67)	5,220 (65.5)	4,300 (69.5)	3,320 (72)	4,270 (68)	3,410 (72.5)	2,540 (76)
70	4,270 (60)	4,670 (62)	4,650 (64.5)	4,640 (63.5)	4,140 (67.5)	3,190 (70)	4,070 (66.5)	3,220 (70.5)	2,430 (74)
75	3,740 (57.5)	4,110 (59.5)	4,420 (62)	4,110 (61.5)	3,940 (65)	3,070 (67.5)	3,890 (64.5)	3,050 (68.5)	2,340 (72.5)
80	3,260 (55)	3,600 (57)	3,880 (59.5)	3,640 (59)	3,750 (63)	2,970 (65.5)	3,720 (62.5)	2,890 (66.5)	2,250 (70)
85	2,810 (52.5)	3,120 (54.5)	3,380 (57)	3,200 (57)	3,570 (61)	2,870 (63)	3,530 (60.5)	2,750 (64.5)	2,170 (68)
90	2,410 (49.5)	2,690 (52)	2,920 (54)	2,800 (54.5)	3,190 (58.5)	2,780 (60.5)	3,130 (58.5)	2,620 (62.5)	2,100 (66)
95	2,030 (47)	2,290 (49)	2,490 (51)	2,430 (52)	2,790 (56)	2,700 (58)	2,760 (56.5)	2,500 (60.5)	2,030 (64)
100	1,690 (43.5)	1,920 (46)	2,100 (48)	2,080 (49.5)	2,420 (53.5)	2,630 (55.5)	2,420 (54.5)	2,390 (58.5)	1,970 (61.5)
105	1,370 (40.5)	1,580 (42.5)	1,730 (45)	1,770 (47)	2,070 (51)	2,320 (52.5)	2,110 (52)	2,290 (56)	1,910 (59.5)
110	1,070 (37)	1,250 (39)	1,380 (41.5)	1,470 (44)	1,750 (48.5)	1,970 (50)	1,820 (49.5)	2,180 (54)	1,860 (57)
115				1,200 (41)	1,450 (45.5)	1,640 (46.5)	1,540 (47.5)	1,880 (51.5)	1,810 (54)
120							1,290 (45)	1,600 (48.5)	1,670 (51.5)

NOTE: ( ) Boom angles are in degrees.  
\*This capacity is based upon maximum boom angle.

A6-829-009539G



35 - 110 ft.  
(10.6 - 33.5 m)



32 - 56 ft.  
(9.8 - 17.1 m)



7,800 lbs.  
(3538 kg)



50%



360°



(Feet)	32 ft. LENGTH			44 ft. LENGTH			56 ft. LENGTH		
	0° OFFSET	15° OFFSET	30° OFFSET	0° OFFSET	15° OFFSET	30° OFFSET	0° OFFSET	15° OFFSET	30° OFFSET
30	9,500 (78)								
35	8,710 (76)	*7,500 (78)		7,320 (77.5)					
40	8,000 (74)	7,070 (75.5)	*5,800 (78)	6,880 (75.5)			5,560 (77)		
45	7,340 (71.5)	6,760 (73.5)	5,690 (76)	6,490 (74)	5,060 (77.5)		5,250 (75.5)		
50	6,610 (69.5)	6,470 (71.5)	5,440 (73.5)	6,140 (72)	4,840 (75.5)	*3,770 (78)	4,970 (73.5)	3,900 (78)	
55	5,390 (67)	5,390 (69)	5,210 (71.5)	5,820 (69.5)	4,650 (73.5)	3,600 (76)	4,710 (72)	3,740 (76)	
60	4,370 (65)	4,370 (67)	4,370 (69)	4,840 (67.5)	4,460 (71.5)	3,450 (74)	4,480 (70)	3,600 (74.5)	2,650 (78)
65	3,500 (62.5)	3,500 (64.5)	3,500 (67)	3,980 (65.5)	3,980 (69.5)	3,320 (72)	4,270 (68)	3,410 (72.5)	2,540 (76)
70	2,760 (60)	2,760 (62)	2,760 (64.5)	3,250 (63.5)	3,250 (67.5)	3,190 (70)	3,640 (66.5)	3,220 (70.5)	2,430 (74)
75	2,120 (57.5)	2,120 (59.5)	2,120 (62)	2,610 (61.5)	2,610 (65)	2,610 (67.5)	3,010 (64.5)	3,010 (68.5)	2,340 (72.5)
80	1,550 (55)	1,550 (57)	1,550 (59.5)	2,050 (59)	2,050 (63)	2,050 (65.5)	2,450 (62.5)	2,450 (66.5)	2,250 (70)
85	1,050 (52.5)	1,050 (54.5)	1,050 (57)	1,550 (57)	1,550 (61)	1,550 (63)	1,960 (60.5)	1,960 (64.5)	1,960 (68)
90				1,110 (54.5)	1,110 (58.5)	1,110 (60.5)	1,520 (58.5)	1,520 (62.5)	1,520 (66)
95							1,130 (56.5)	1,130 (60.5)	1,130 (64)

NOTE: ( ) Boom angles are in degrees.

\*This capacity is based upon maximum boom angle.

A6-829-012618A



35 - 110 ft.  
(10.6 - 33.5 m)



32 - 56 ft.  
(9.8 - 17.1 m)



3,900 lbs.  
(1769 kg)



100%



360°



(Feet)	32 ft. LENGTH			44 ft. LENGTH			56 ft. LENGTH		
	0° OFFSET	15° OFFSET	30° OFFSET	0° OFFSET	15° OFFSET	30° OFFSET	0° OFFSET	15° OFFSET	30° OFFSET
30	9,500 (78)								
35	8,710 (76)	*7,500 (78)		7,320 (77.5)					
40	8,000 (74)	7,070 (75.5)	*5,800 (78)	6,880 (75.5)			5,560 (77)		
45	7,340 (71.5)	6,760 (73.5)	5,690 (76)	6,490 (74)	5,060 (77.5)		5,250 (75.5)		
50	6,740 (69.5)	6,470 (71.5)	5,440 (73.5)	6,140 (72)	4,840 (75.5)	*3,770 (78)	4,970 (73.5)	3,900 (78)	
55	6,190 (67)	6,210 (69)	5,210 (71.5)	5,820 (69.5)	4,650 (73.5)	3,600 (76)	4,710 (72)	3,740 (76)	
60	5,500 (65)	5,970 (67)	5,010 (69)	5,530 (67.5)	4,460 (71.5)	3,450 (74)	4,480 (70)	3,600 (74.5)	2,650 (78)
65	4,850 (62.5)	5,280 (64.5)	4,820 (67)	5,220 (65.5)	4,300 (69.5)	3,320 (72)	4,270 (68)	3,410 (72.5)	2,540 (76)
70	4,270 (60)	4,670 (62)	4,650 (64.5)	4,640 (63.5)	4,140 (67.5)	3,190 (70)	4,070 (66.5)	3,220 (70.5)	2,430 (74)
75	3,740 (57.5)	4,110 (59.5)	4,420 (62)	4,110 (61.5)	3,940 (65)	3,070 (67.5)	3,890 (64.5)	3,050 (68.5)	2,340 (72.5)
80	3,260 (55)	3,600 (57)	3,870 (59.5)	3,640 (59)	3,750 (63)	2,970 (65.5)	3,720 (62.5)	2,890 (66.5)	2,250 (70)
85	2,810 (52.5)	3,120 (54.5)	3,190 (57)	3,200 (57)	3,570 (61)	2,870 (63)	3,530 (60.5)	2,750 (64.5)	2,170 (68)
90	2,410 (49.5)	2,590 (52)	2,590 (54)	2,800 (54.5)	3,030 (58.5)	2,780 (60.5)	3,130 (58.5)	2,620 (62.5)	2,100 (66)
95	2,030 (47)	2,060 (49)	2,060 (51)	2,430 (52)	2,510 (56)	2,510 (58)	2,760 (56.5)	2,500 (60.5)	2,030 (64)
100	1,600 (43.5)	1,600 (46)	1,600 (48)	2,050 (49.5)	2,050 (53.5)	2,050 (55.5)	2,420 (54.5)	2,390 (58.5)	1,970 (61.5)
105	1,180 (40.5)	1,180 (42.5)	1,180 (45)	1,630 (47)	1,630 (51)	1,630 (52.5)	2,110 (52)	2,150 (56)	1,910 (59.5)
110				1,260 (44)	1,260 (48.5)	1,260 (50)	1,750 (49.5)	1,750 (54)	1,750 (57)
115							1,390 (47.5)	1,390 (51.5)	1,390 (54)
120							1,070 (45)	1,070 (48.5)	1,070 (51.5)

NOTE: ( ) Boom angles are in degrees.  
\*This capacity is based upon maximum boom angle.

A6-829-009707B



35 - 110 ft.  
(10.6 - 33.5 m)



32 - 56 ft.  
(9.8 - 17.1 m)



3,900 lbs.  
(1769 kg)



50%



360°



(Feet)	32 ft. LENGTH			44 ft. LENGTH			56 ft. LENGTH		
	0° OFFSET	15° OFFSET	30° OFFSET	0° OFFSET	15° OFFSET	30° OFFSET	0° OFFSET	15° OFFSET	30° OFFSET
30	9,500 (78)								
35	8,710 (76)	*7,500 (78)		7,320 (77.5)					
40	8,000 (74)	7,070 (75.5)	*5,800 (78)	6,880 (75.5)			5,560 (77)		
45	6,560 (71.5)	6,560 (73.5)	5,690 (76)	6,490 (74)	5,060 (77.5)		5,250 (75.5)		
50	5,220 (69.5)	5,220 (71.5)	5,220 (73.5)	5,670 (72)	4,840 (75.5)	*3,770 (78)	4,970 (73.5)	3,900 (78)	
55	4,120 (67)	4,120 (69)	4,120 (71.5)	4,590 (69.5)	4,590 (73.5)	3,600 (76)	4,710 (72)	3,740 (76)	
60	3,200 (65)	3,200 (67)	3,200 (69)	3,680 (67.5)	3,680 (71.5)	3,450 (74)	4,080 (70)	3,600 (74.5)	2,650 (78)
65	2,420 (62.5)	2,420 (64.5)	2,420 (67)	2,910 (65.5)	2,910 (69.5)	2,910 (72)	3,320 (68)	3,320 (72.5)	2,540 (76)
70	1,750 (60)	1,750 (62)	1,750 (64.5)	2,250 (63.5)	2,250 (67.5)	2,250 (70)	2,660 (66.5)	2,660 (70.5)	2,430 (74)
75	1,180 (57.5)	1,180 (59.5)	1,180 (62)	1,680 (61.5)	1,680 (65)	1,680 (67.5)	2,090 (64.5)	2,090 (68.5)	2,090 (72.5)
80				1,170 (59)	1,170 (63)	1,170 (65.5)	1,590 (62.5)	1,590 (66.5)	1,590 (70)
85							1,150 (60.5)	1,150 (64.5)	1,150 (68)

NOTE: ( ) Boom angles are in degrees.  
\*This capacity is based upon maximum boom angle.

A6-829-012619A



35 - 110 ft.  
(10.6 - 33.5 m)



32 - 56 ft.  
(9.8 - 17.1 m)



0 lbs.  
(0 kg)



100%



360°



(Feet)	32 ft. LENGTH			44 ft. LENGTH			56 ft. LENGTH		
	0° OFFSET	15° OFFSET	30° OFFSET	0° OFFSET	15° OFFSET	30° OFFSET	0° OFFSET	15° OFFSET	30° OFFSET
30	9,500 (78)								
35	8,710 (76)	*7,500 (78)		7,320 (77.5)					
40	8,000 (74)	7,070 (75.5)	*5,800 (78)	6,880 (75.5)			5,560 (77)		
45	7,340 (71.5)	6,760 (73.5)	5,690 (76)	6,490 (74)	5,060 (77.5)		5,250 (75.5)		
50	6,740 (69.5)	6,470 (71.5)	5,440 (73.5)	6,140 (72)	4,840 (75.5)	*3,770 (78)	4,970 (73.5)	3,900 (78)	
55	6,190 (67)	6,210 (69)	5,210 (71.5)	5,820 (69.5)	4,650 (73.5)	3,600 (76)	4,710 (72)	3,740 (76)	
60	5,500 (65)	5,970 (67)	5,010 (69)	5,530 (67.5)	4,460 (71.5)	3,450 (74)	4,480 (70)	3,600 (74.5)	2,650 (78)
65	4,850 (62.5)	5,280 (64.5)	4,820 (67)	5,220 (65.5)	4,300 (69.5)	3,320 (72)	4,270 (68)	3,410 (72.5)	2,540 (76)
70	4,270 (60)	4,440 (62)	4,440 (64.5)	4,640 (63.5)	4,140 (67.5)	3,190 (70)	4,070 (66.5)	3,220 (70.5)	2,430 (74)
75	3,550 (57.5)	3,550 (59.5)	3,550 (62)	4,110 (61.5)	3,940 (65)	3,070 (67.5)	3,890 (64.5)	3,050 (68.5)	2,340 (72.5)
80	2,790 (55)	2,790 (57)	2,790 (59.5)	3,370 (59)	3,370 (63)	2,970 (65.5)	3,720 (62.5)	2,890 (66.5)	2,250 (70)
85	2,140 (52.5)	2,140 (54.5)	2,140 (57)	2,730 (57)	2,730 (61)	2,730 (63)	3,360 (60.5)	2,750 (64.5)	2,170 (68)
90	1,560 (49.5)	1,560 (52)	1,560 (54)	2,160 (54.5)	2,160 (58.5)	2,160 (60.5)	2,770 (58.5)	2,620 (62.5)	2,100 (66)
95	1,060 (47)	1,060 (49)	1,060 (51)	1,670 (52)	1,670 (56)	1,670 (58)	2,240 (56.5)	2,240 (60.5)	2,030 (64)
100				1,220 (49.5)	1,220 (53.5)	1,220 (55.5)	1,780 (54.5)	1,780 (58.5)	1,780 (61.5)
105							1,360 (52)	1,360 (56)	1,360 (59.5)

NOTE: ( ) Boom angles are in degrees.  
\*This capacity is based upon maximum boom angle.

A6-829-009748

# Rated Lifting Capacities

## IMPORTANT NOTES:

### WARNING: THIS CHART IS ONLY A GUIDE.

The notes below are for illustration only and should not be relied upon to operate the crane. The individual crane's load chart, operating instructions and other instruction plates must be read and understood prior to operating the crane.

1. All rated loads have been tested to and meet minimum requirements of SAE J1063 NOV93 - Cantilevered Boom Crane Structures - Method of Test, perform to SAE J765 OCT90 Crane Stability Test Code.

2. Capacities given do not include the weight of hook blocks, slings, auxiliary lifting equipment and load handling devices. Their weights MUST be added to the load to be lifted. When more than minimum required reeving is used, the additional rope weight shall be considered part of the load.

3. Capacities appearing above the bold line are based on structural strength. Tipping should never be relied upon as a capacity indication.

4. All capacities are for crane on firm, level surface. It may be necessary to have structural supports under the outrigger floats to spread the load to a larger bearing surface.

5. When either boom length or radius or both are between values listed, the smallest load shown at either the next larger radius or boom length shall be used.

6. For outrigger operation, ALL outriggers shall be properly extended with tires raised free of ground before raising the boom or lifting loads.

# Symbols Glossary

	Frame		Steering
	Outriggers		Transmission
	Outrigger Controls		Axles
	Engine		Brakes
	Fuel Tank Capacity		Tires
	Electrical System		Suspension
	Drive		Rotation
	Lights		Boom Elevation
	Cab		Swing
	Boom		Counterweight
	Fixed Swingaway		Oil
	Tele-Swingaway		Hydraulic System
	Jib		Hoist
	Boom Nose		Radius
	Boom Extension		Boom Length
	Speed		Hookblock
	Grade		Gear
	Lattice Extension		Luffing Jib