



TEREX | DEMAG

AC 500-2 | All Terrain Crane 600 t Lifting Capacity

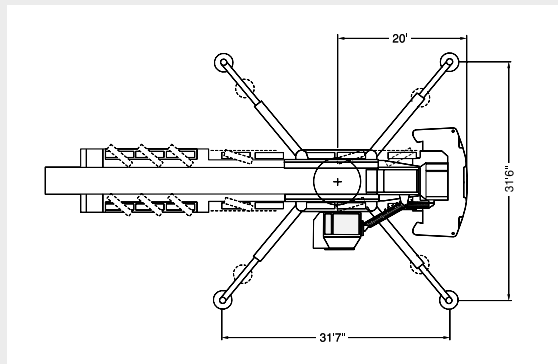
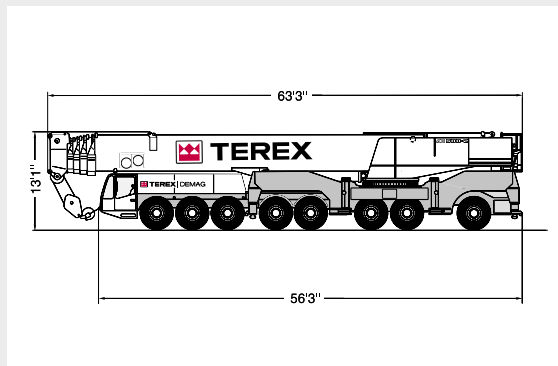
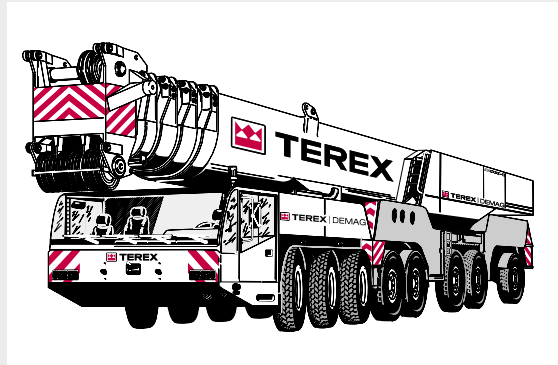


AC 500-2

ALL TERRAIN CRANE

AC 500-2
HIGHLIGHTS

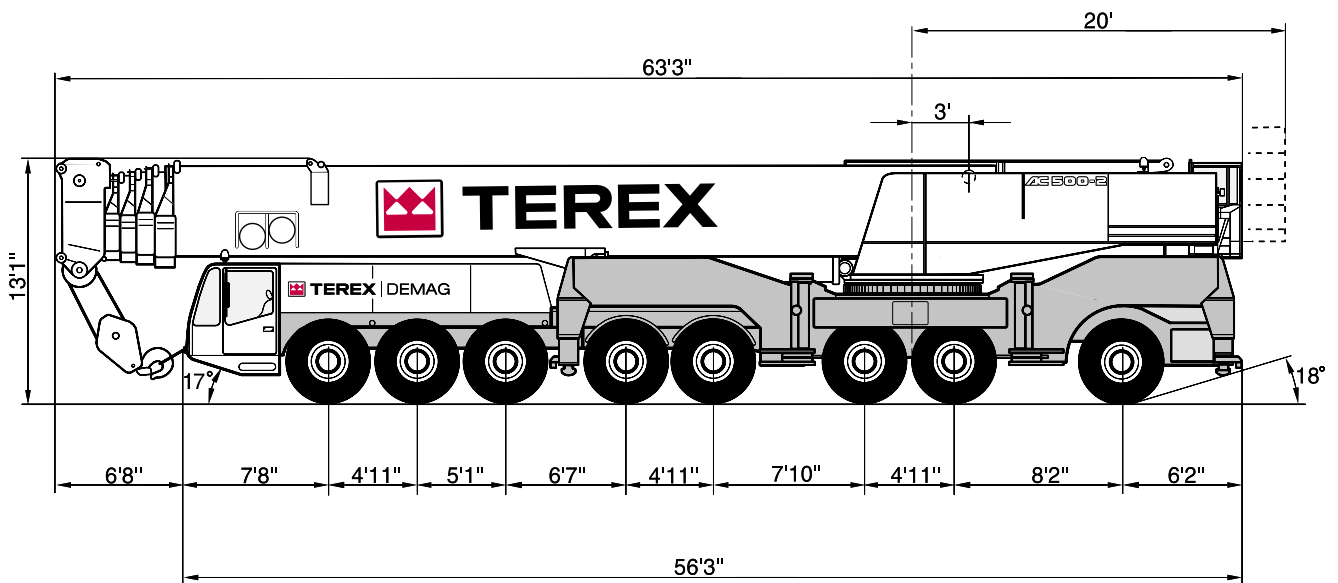
- ▶ Enhanced Demag ovaloid boom design ensures excellent lifting capacities
- ▶ Exceptional capacity enhancements due to new Sideways Superlift
- ▶ The shortest 8-axle crane with a carrier length of just 56.1 ft
- ▶ Star-type outriggers giving enhanced stability
- ▶ Short rigging time and optimal transport weights for all configurations
- ▶ Innovative crane control provides high operating comfort



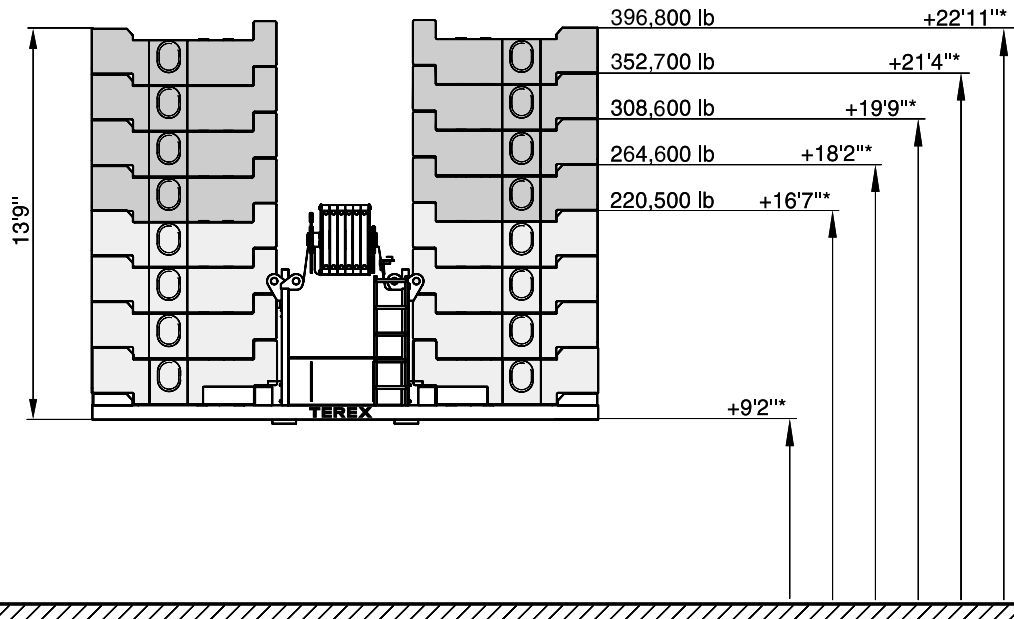
CONTENTS

	Page:	
Specifications		
Dimensions	4	1
Specifications	6	
Main boom		
Working ranges with / without SSL	7	2
Lifting capacities	8, 12	
Lifting capacities with SSL	10, 13	
Main boom extension		
Working ranges with / without SSL	15	3
Lifting capacities	16	
Lifting capacities with SSL 0°	17	
Lifting capacities with SSL 30°	18	
Fixed fly jib		
Working ranges with / without SSL	19	4
Lifting capacities	20, 22, 24	
Lifting capacities with SSL	21, 23	
Luffing fly jib		
Working ranges with / without SSL	25	5
Lifting capacities	26-30, 32, 34, 36, 38	
Lifting capacities with SSL	31, 33, 35, 37, 39	
Technical description		
Carrier · Superstructure · Optional equipment	40	6
Overview		
of standard duty charts	42	7

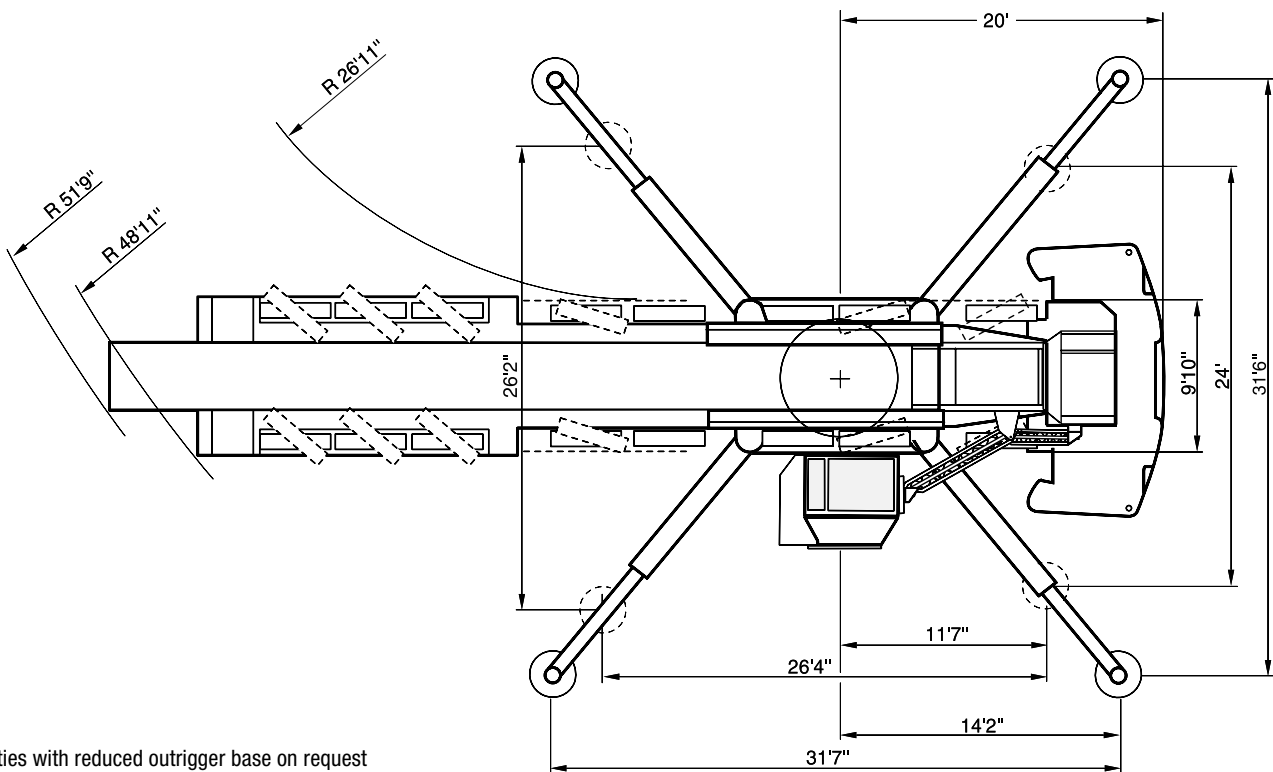
DIMENSIONS



DIMENSIONS



* Tail swing above ground



Duties with reduced outrigger base on request

SPECIFICATIONS

AXLE LOADS

Crane with main boom, outriggers and hook block

Axles	8 x 26,500 lb
Total weight	212,000 lb

WORKING SPEEDS (INFINITELY VARIABLE)

Mechanisms	Normal speed	Max. permissible line pull	Rope length
Hoist I	max. 423.7 ft / min	28,100 lb	1,969 ft
Hoist II	max. 505.3 ft / min	28,100 lb	2,362 ft
Slewing			max. 0.8 1/min.
Telescoping speed			48.2 – 183.7 ft: ~ 420 sec.
Boom elevation			-0.5° – +83°: 85 sec.

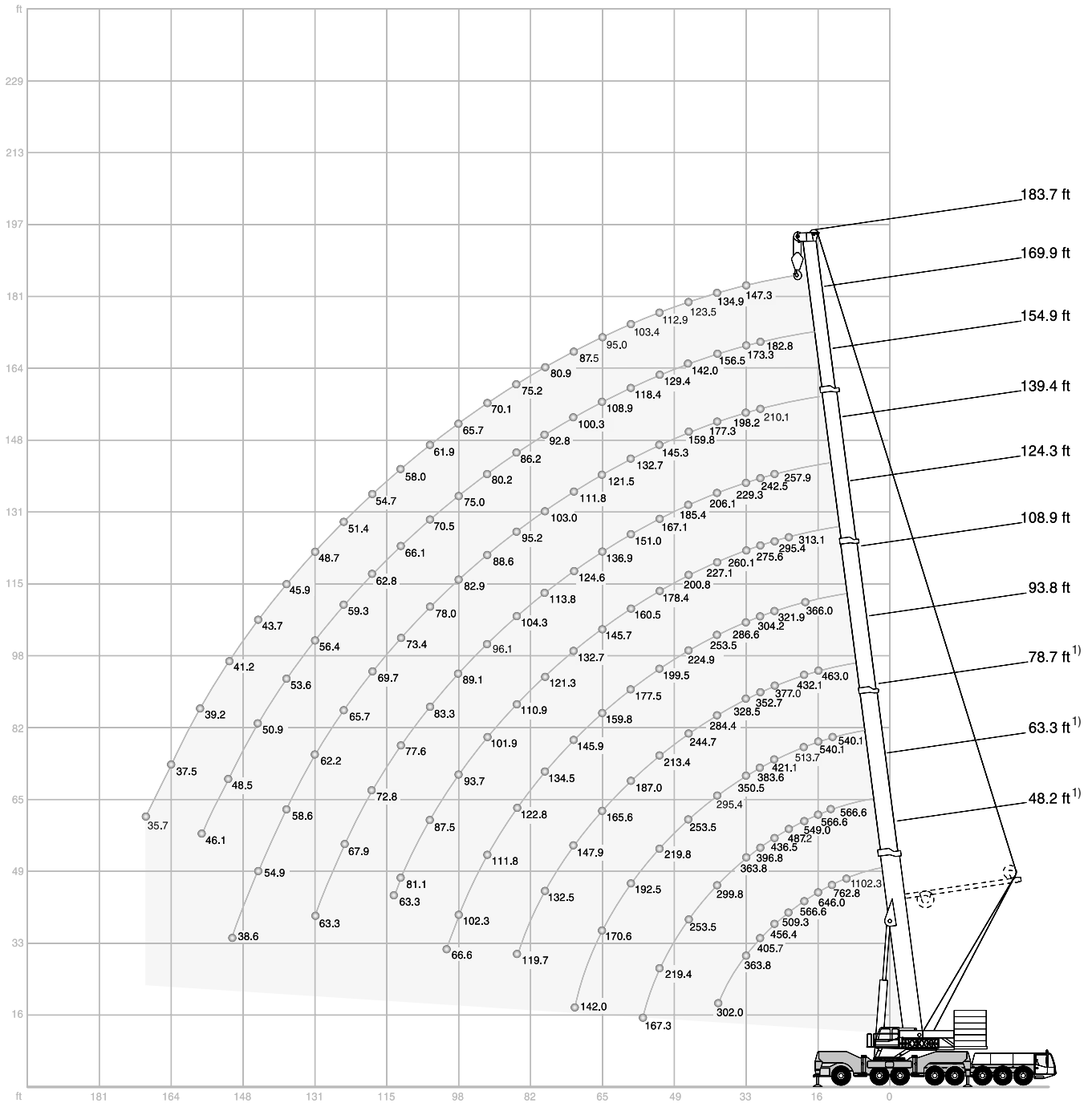
CARRIER PERFORMANCE

Travel speed	0 . . 40 mph
--------------	--------------

HOOK BLOCK / HEAVY-LIFT ATTACHMENT

Type	Possible load	Number of sheaves	Weight	„D“	Number of lines	Heavy-lift attachment
320	491,500 lb	11	7,100 lb	14.8 ft	20	2 add'l. sheaves
250	469,200 lb	9	5,700 lb	14.8 ft	19	2 add'l. sheaves
200	390,300 lb	7	5,100 lb	9.8 ft	15	
160	291,900 lb	5	4,200 lb	9.8 ft	11	
100	189,400 lb	3	4,000 lb	9.8 ft	7	
40	82,900 lb	1	1,700 lb	8.9 ft	3	
12.5	27,800 lb	Single line hook	1,100 lb	6.6 ft	1	

WORKING RANGES MAIN BOOM WITH / WITHOUT SSL



LIFTING CAPACITIES MAIN BOOM

352,700 lb

360°

85 %

Radius	Main boom														Radius
	ft	48.2 ¹⁾	48.2	63.3 ¹⁾	63.3	78.7 ¹⁾	78.7	93.8	108.9	124.3	139.4	154.9	169.9	183.7	
	1,000 lb														
ft															ft
10	1200.0*	566.6	-	-	-	-	-	-	-	-	-	-	-	-	10
12	840.0*	566.6	566.6	566.6	566.6	-	-	-	-	-	-	-	-	-	12
13	762.8*	566.6	566.6	566.6	566.6	540.1	540.1	-	-	-	-	-	-	-	13
15	698.9*	566.6	566.6	566.6	566.6	540.1	540.1	-	-	-	-	-	-	-	15
16	646.0*	557.8	566.6	555.6	540.1	540.1	463.0	-	-	-	-	-	-	-	16
20	566.6	493.8	549.0	493.8	513.7	493.8	432.1	366.0	-	-	-	-	-	-	20
23	509.3	443.1	487.2	443.1	465.2	443.1	405.7	343.9	313.1	-	-	-	-	-	23
26	456.4	401.2	436.5	401.2	421.1	401.2	377.0	321.9	295.4	257.9	-	-	-	-	26
30	405.7	366.0	396.8	366.0	383.6	366.0	352.7	304.2	275.6	242.5	210.1	182.8	-	-	30
33	363.8	337.3	363.8	337.3	350.5	335.1	328.5	286.6	260.1	229.3	198.2	173.3	147.3	-	33
39	302.0	288.8	299.8	288.8	295.4	286.6	284.4	253.5	227.1	206.1	177.3	156.5	134.9	-	39
46	-	-	253.5	246.9	253.5	244.7	244.7	224.9	200.8	185.4	159.8	142.0	123.5	-	46
53	-	-	219.4	214.3	219.8	211.4	213.4	199.5	178.4	167.1	145.3	129.4	112.9	-	53
59	-	-	167.3	170.9	192.5	185.0	187.0	177.5	160.5	151.0	132.7	118.4	103.4	-	59
66	-	-	-	-	170.6	163.6	165.6	159.8	145.7	136.9	121.5	108.9	95.0	-	66
72	-	-	-	-	141.8	142.0	147.9	145.9	132.7	124.6	111.8	100.3	87.5	-	72
79	-	-	-	-	-	-	132.5	134.5	121.3	113.8	103.0	92.8	80.9	-	79
85	-	-	-	-	-	-	119.7	122.8	110.9	104.3	95.2	86.2	75.2	-	85
92	-	-	-	-	-	-	-	111.8	101.9	96.1	88.6	80.2	70.1	-	92
98	-	-	-	-	-	-	-	102.3	93.7	89.1	82.9	75.0	65.7	-	98
105	-	-	-	-	-	-	-	66.6	87.5	83.3	78.0	70.5	61.9	-	105
112	-	-	-	-	-	-	-	-	81.1	77.6	73.4	66.1	58.0	-	112
118	-	-	-	-	-	-	-	-	63.3	72.8	69.7	62.8	54.7	-	118
125	-	-	-	-	-	-	-	-	-	67.9	65.7	59.3	51.4	-	125
131	-	-	-	-	-	-	-	-	-	63.3	62.2	56.4	48.7	-	131
138	-	-	-	-	-	-	-	-	-	-	58.6	53.6	45.9	-	138
144	-	-	-	-	-	-	-	-	-	-	54.9	50.9	43.7	-	144
151	-	-	-	-	-	-	-	-	-	-	38.6	48.5	41.2	-	151
158	-	-	-	-	-	-	-	-	-	-	-	46.1	39.2	-	158
164	-	-	-	-	-	-	-	-	-	-	-	-	37.5	-	164
171	-	-	-	-	-	-	-	-	-	-	-	-	35.7	-	171

Remarks

¹⁾ 396,800 lb counterweight, additional central outriggers, double hook block required

* over rear

LIFTING CAPACITIES MAIN BOOM

264,600 lb

360°

85 %

Radius	ft	Main boom										Radius
		48.2	63.3	78.7	93.8	108.9	124.3	139.4	154.9	169.9	183.7	
ft						1,000 lb						ft
10	566.6	-	-	-	-	-	-	-	-	-	-	10
12	566.6	566.6	-	-	-	-	-	-	-	-	-	12
13	566.6	566.6	540.1	-	-	-	-	-	-	-	-	13
15	566.6	566.6	540.1	-	-	-	-	-	-	-	-	15
16	544.5	542.3	540.1	463.0	-	-	-	-	-	-	-	16
20	482.8	482.8	480.6	432.1	366.0	-	-	-	-	-	-	20
23	432.1	434.3	432.1	405.7	343.9	313.1	-	-	-	-	-	23
26	392.4	392.4	390.2	377.0	321.9	295.4	257.9	-	-	-	-	26
30	357.1	357.1	357.1	352.7	304.2	275.6	242.5	210.1	182.8	-	-	30
33	321.9	321.9	319.7	321.9	286.6	260.1	229.3	198.2	173.3	147.3	-	33
39	264.6	264.6	262.4	264.6	253.5	227.1	206.1	177.3	156.5	134.9	-	39
46	-	224.9	222.7	224.9	224.9	200.8	185.4	159.8	142.0	123.5	-	46
53	-	191.8	190.5	191.8	195.1	178.4	167.1	145.3	129.4	112.9	-	53
59	-	166.0	168.7	166.2	169.3	160.5	151.0	132.7	118.4	103.4	-	59
66	-	-	146.4	143.1	146.8	144.4	136.9	121.5	108.9	95.0	-	66
72	-	-	126.5	123.0	126.8	124.3	124.3	111.8	100.3	87.5	-	72
79	-	-	-	107.1	110.5	108.0	108.0	103.0	92.8	80.9	-	79
85	-	-	-	99.2	97.2	94.8	94.6	95.2	86.2	75.2	-	85
92	-	-	-	-	86.2	83.8	83.8	85.1	80.2	70.1	-	92
98	-	-	-	-	77.2	75.2	74.5	76.1	75.0	65.7	-	98
105	-	-	-	-	66.6	70.8	66.8	68.1	70.1	61.9	-	105
112	-	-	-	-	-	64.2	60.2	61.3	63.3	58.0	-	112
118	-	-	-	-	-	58.4	54.5	55.6	57.5	54.7	-	118
125	-	-	-	-	-	-	51.4	50.5	52.2	51.4	-	125
131	-	-	-	-	-	-	48.5	45.9	47.8	47.8	-	131
138	-	-	-	-	-	-	-	42.5	43.7	43.9	-	138
144	-	-	-	-	-	-	-	40.6	39.9	39.9	-	144
151	-	-	-	-	-	-	-	38.6	36.6	36.6	-	151
158	-	-	-	-	-	-	-	-	33.5	33.5	-	158
164	-	-	-	-	-	-	-	-	-	30.6	-	164
171	-	-	-	-	-	-	-	-	-	28.2	-	171

LIFTING CAPACITIES MAIN BOOM WITH SSL

396,800 lb

360°

85 %

		Main boom						
Radius	ft	108.9	124.3	139.4	154.9	169.9	183.7	Radius
		1,000 lb						
ft								ft
20		412.3	-	-	-	-	-	20
23		399.0	366.0	328.5	-	-	-	23
26		383.6	354.9	321.9	275.6	-	-	26
30		357.1	343.9	315.3	269.0	266.8	-	30
33		326.3	321.9	308.6	264.6	253.5	229.3	33
39		275.6	273.4	271.2	251.3	222.7	204.6	39
46		240.3	235.9	233.7	233.7	203.0	182.5	46
53		210.5	209.0	206.6	205.7	193.1	163.4	53
59		183.0	185.6	184.1	183.4	182.8	153.2	59
66		166.0	163.6	166.7	165.1	164.7	145.5	66
72		154.3	145.3	154.8	149.9	149.7	138.0	72
79		141.1	130.1	140.0	134.5	136.9	131.0	79
85		128.1	117.1	127.0	121.5	123.9	123.9	85
92		117.1	106.0	115.7	110.5	112.7	113.1	92
98		103.2	96.6	106.3	100.8	103.0	103.4	98
105		-	88.2	97.7	92.4	94.6	94.8	105
112		-	78.5	90.4	84.9	87.1	87.3	112
118		-	-	83.8	78.3	80.2	80.7	118
125		-	-	76.1	72.3	74.3	74.7	125
131		-	-	55.6	66.8	69.0	69.2	131
138		-	-	-	61.3	63.9	64.4	138
144		-	-	-	51.6	59.5	59.7	144
151		-	-	-	-	55.1	55.6	151
158		-	-	-	-	47.4	51.8	158
164		-	-	-	-	-	48.1	164
171		-	-	-	-	-	41.0	171
177		-	-	-	-	-	-	177

264,600 lb

360°

85 %

		Main boom						
Radius	ft	108.9	124.3	139.4	154.9	169.9	183.7	Radius
		1,000 lb						
ft								ft
20		412.3	-	-	-	-	-	20
23		399.0	366.0	328.5	-	-	-	23
26		379.2	354.9	321.9	275.6	-	-	26
30		343.9	343.9	315.3	269.0	266.8	-	30
33		310.9	313.1	308.6	264.6	253.5	229.3	33
39		253.5	255.7	257.9	251.3	222.7	204.6	39
46		213.2	215.8	217.8	220.5	203.0	182.5	46
53		188.7	184.5	190.5	189.4	191.8	163.4	53
59		169.5	158.7	168.7	163.4	165.8	153.2	59
66		149.0	138.0	148.2	142.9	145.1	145.5	66
72		131.4	118.2	130.1	123.7	126.5	127.0	72
79		114.9	101.9	113.8	107.4	110.0	110.5	79
85		101.4	88.4	100.1	93.9	96.6	97.0	85
92		90.2	77.2	88.8	82.5	85.1	85.5	92
98		80.5	67.9	79.1	73.0	75.4	75.8	98
105		-	59.5	71.0	64.8	67.2	67.7	105
112		-	52.5	63.9	57.8	60.4	60.6	112
118		-	-	58.0	51.4	54.0	54.5	118
125		-	-	52.7	45.9	48.5	48.7	125
131		-	-	38.1	41.0	43.4	43.9	131
138		-	-	-	36.6	39.0	39.5	138
144		-	-	-	32.8	35.1	35.5	144
151		-	-	-	-	31.7	32.0	151
158		-	-	-	-	28.7	28.7	158
164		-	-	-	-	-	25.8	164
171		-	-	-	-	-	23.4	171
177		-	-	-	-	-	-	177

NOTES TO LIFTING CAPACITY

Ratings are in compliance with ISO 4305 and DIN 15019.2 (test load = 1.25 x suspended load + 0.1 x dead weight of boom head).
Weight of hook blocks and slings is part of the load, and is to be deducted from the capacity ratings.

Crane operation with main boom is permissible up to a

wind pressure of: 1.25 lb/ft²

wind speed of: 21.9 mph

Consult operation manual for further details.

Note: Data published herein is intended as a guide only and shall not be construed to warrant applicability for lifting purposes.
Crane operation is subject to the computer charts and operation manual both supplied with the crane.

LIFTING CAPACITIES MAIN BOOM

132,300 lb  360° **85 %**

		Main boom										
Radius	ft	48.2	63.3	78.7	93.8	108.9	124.3	139.4	154.9	169.9	183.7	Radius
ft		1,000 lb										ft
10	566.6	-	-	-	-	-	-	-	-	-	-	10
12	566.6	566.6	-	-	-	-	-	-	-	-	-	12
13	566.6	566.6	540.1	-	-	-	-	-	-	-	-	13
15	560.0	557.8	540.1	-	-	-	-	-	-	-	-	15
16	524.7	524.7	522.5	463.0	-	-	-	-	-	-	-	16
20	465.2	465.2	463.0	432.1	366.0	-	-	-	-	-	-	20
23	403.4	403.4	401.2	403.4	343.9	313.1	-	-	-	-	-	23
26	348.3	348.3	350.5	348.3	321.9	295.4	257.9	-	-	-	-	26
30	304.2	304.2	306.4	304.2	304.2	275.6	242.5	210.1	182.8	-	-	30
33	269.0	269.0	271.2	269.0	269.0	251.3	229.3	198.2	173.3	147.3	-	33
39	186.5	187.2	191.1	197.1	192.5	189.2	185.0	177.3	156.5	134.9	-	39
46	-	138.0	147.0	145.7	141.3	144.0	138.7	140.7	142.0	123.5	-	46
53	-	112.9	114.9	113.5	117.5	114.4	113.3	114.0	111.6	111.8	-	53
59	-	91.3	92.8	95.5	95.2	95.2	94.8	91.9	89.5	89.9	-	59
66	-	-	76.9	80.7	79.1	79.8	78.5	75.8	73.6	73.9	-	66
72	-	-	67.7	68.3	68.6	67.5	66.1	63.5	61.3	61.7	-	72
79	-	-	-	58.6	59.3	57.8	56.7	54.0	51.8	52.0	-	79
85	-	-	-	50.9	51.4	49.8	48.7	46.3	43.9	44.3	-	85
92	-	-	-	-	45.0	43.4	42.3	39.7	37.3	37.5	-	92
98	-	-	-	-	39.7	38.1	36.8	34.0	31.5	32.0	-	98
105	-	-	-	-	35.3	33.3	32.0	29.3	26.9	27.1	-	105
112	-	-	-	-	-	29.3	28.0	25.1	22.7	22.9	-	112
118	-	-	-	-	-	26.0	24.5	21.6	19.2	19.4	-	118
125	-	-	-	-	-	-	21.4	18.5	16.1	16.3	-	125
131	-	-	-	-	-	-	18.7	15.9	13.4	13.7	-	131
138	-	-	-	-	-	-	-	13.4	11.0	11.2	-	138
144	-	-	-	-	-	-	-	11.5	9.0	9.0	-	144
151	-	-	-	-	-	-	-	9.9	7.1	7.1	-	151
158	-	-	-	-	-	-	-	-	5.5	5.5	-	158

0 lb  360° **85 %**

		Main boom										
Radius	ft	48.2	63.3	78.7	93.8	108.9	124.3	139.4	154.9	169.9	183.7	Radius
ft		1,000 lb										ft
10	566.6	-	-	-	-	-	-	-	-	-	-	10
12	566.6	566.6	-	-	-	-	-	-	-	-	-	12
13	566.6	566.6	540.1	-	-	-	-	-	-	-	-	13
15	524.7	524.7	522.5	-	-	-	-	-	-	-	-	15
16	465.2	465.2	429.9	359.4	-	-	-	-	-	-	-	16
20	346.1	295.4	269.0	231.5	198.2	184.5	-	-	-	-	-	20
23	215.6	204.6	185.8	174.2	155.9	143.7	130.3	-	-	-	-	23
26	134.9	149.0	143.3	133.2	124.3	112.9	103.2	92.2	-	-	-	26
30	90.8	103.0	111.1	106.0	99.9	91.3	84.0	75.0	67.0	-	-	30
33	65.5	76.1	83.1	84.4	82.5	75.4	69.4	61.9	55.1	52.5	-	33
39	37.7	46.1	52.0	53.1	54.0	52.2	49.4	43.4	38.1	36.4	-	39
46	-	30.2	35.3	36.2	37.0	35.5	34.2	30.6	25.6	24.0	-	46
53	-	20.3	24.9	25.6	26.5	24.9	23.8	19.8	15.4	14.3	-	53
59	-	13.4	17.6	18.5	19.2	17.6	16.5	12.3	8.2	7.3	-	59
66	-	-	12.6	13.2	13.9	12.3	11.0	6.8	-	-	-	66
72	-	-	7.9	8.6	9.5	7.7	6.4	-	-	-	-	72
79	-	-	-	5.1	5.7	-	-	-	-	-	-	79

LIFTING CAPACITIES MAIN BOOM WITH SSL

176,400 lb

360°

85 %

Radius	Main boom							Radius
	ft	108.9	124.3	139.4	154.9	169.9	183.7	
ft	1,000 lb							ft
20	412.3	-	-	-	-	-	-	20
23	399.0	366.0	328.5	-	-	-	-	23
26	357.1	354.9	321.9	275.6	-	-	-	26
30	315.3	317.5	315.3	269.0	266.8	198.0	-	30
33	280.0	284.4	286.6	264.6	253.5	229.3	-	33
39	224.9	227.1	229.3	229.3	222.7	204.6	-	39
46	194.4	178.6	193.1	185.6	183.6	179.0	-	46
53	153.9	138.0	152.6	144.8	148.4	148.8	-	53
59	124.8	110.0	123.7	116.4	119.5	120.2	-	59
66	103.8	89.5	102.5	95.7	98.5	99.0	-	66
72	87.7	73.9	86.4	79.8	82.7	83.1	-	72
79	75.2	61.3	74.1	67.5	70.1	70.5	-	79
85	65.0	50.9	63.9	57.1	60.2	60.6	-	85
92	56.9	42.5	55.6	48.5	51.6	52.0	-	92
98	49.8	35.3	48.3	41.2	44.1	44.5	-	98
105	-	29.5	42.1	35.1	37.9	38.4	-	105
112	-	24.5	36.8	29.8	32.6	32.8	-	112
118	-	-	32.2	25.1	28.0	28.2	-	118
125	-	-	28.2	21.2	23.8	24.3	-	125
131	-	-	15.0	17.9	20.3	20.7	-	131
138	-	-	-	14.8	17.2	17.4	-	138
144	-	-	-	12.1	14.3	14.6	-	144
151	-	-	-	-	11.9	12.1	-	151
158	-	-	-	-	9.7	9.9	-	158
164	-	-	-	-	-	7.9	-	164
171	-	-	-	-	-	6.2	-	171
177	-	-	-	-	-	-	-	177

NOTES TO LIFTING CAPACITY

Ratings are in compliance with ISO 4305 and DIN 15019.2 (test load = 1.25 x suspended load + 0.1 x dead weight of boom head).
Weight of hook blocks and slings is part of the load, and is to be deducted from the capacity ratings.

Crane operation with main boom is permissible up to a

wind pressure of: 1.25 lb/ft²

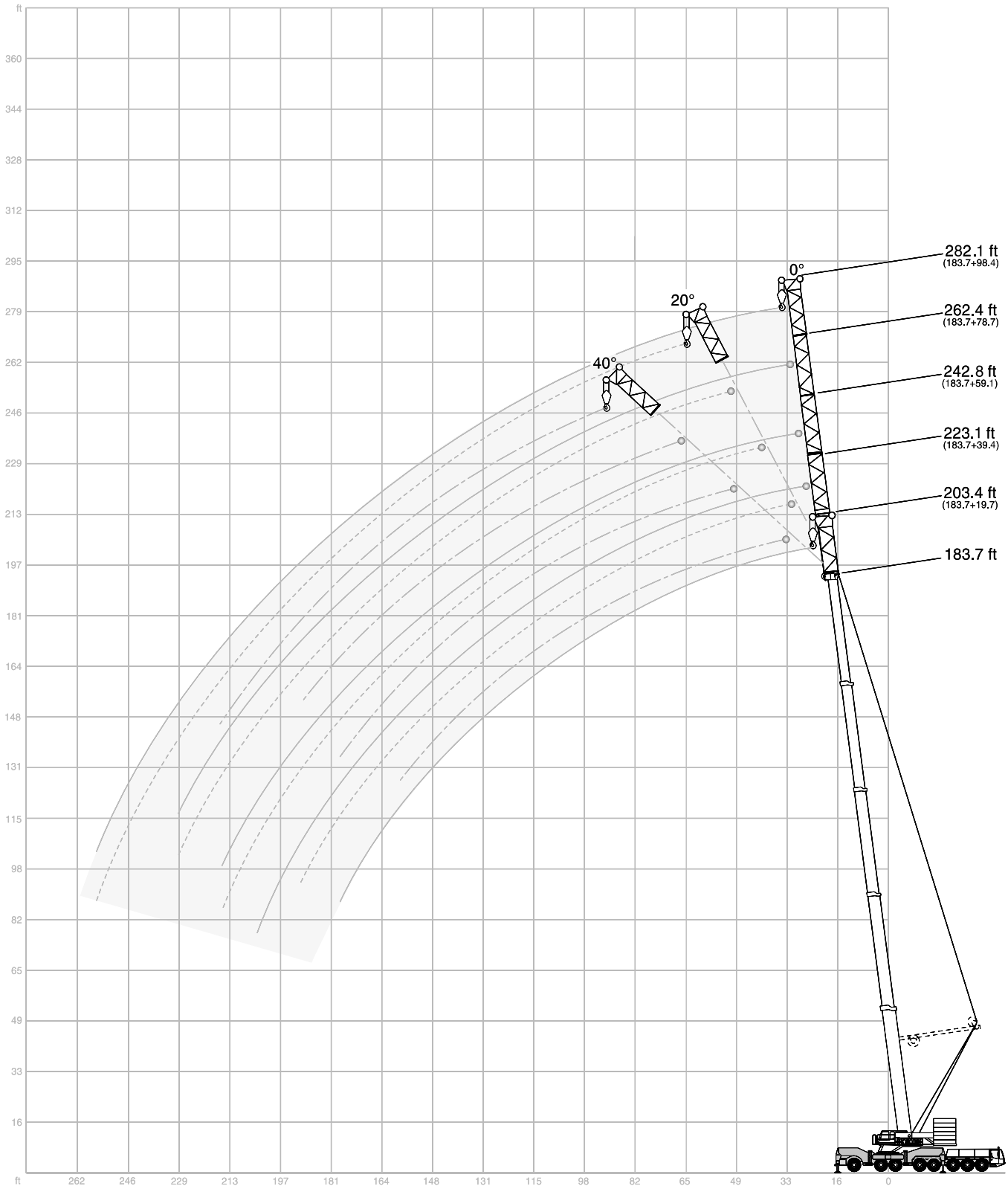
wind speed of: 21.9 mph

Consult operation manual for further details.

Note: Data published herein is intended as a guide only and shall not be construed to warrant applicability for lifting purposes.
Crane operation is subject to the computer charts and operation manual both supplied with the crane.

ALL TERRAIN CRANE AC 500-2

WORKING RANGES MAIN BOOM EXTENSION WITH / WITHOUT SSL



LIFTING CAPACITIES MAIN BOOM EXTENSION

308,600 lb 360° **85 %**

183.7 ft Main boom

Radius ft	Extension												Radius ft			
	19.7 ft			39.4 ft			59.1 ft			78.7 ft				98.4 ft		
	0°	0°	20°	40°*	0°	20°	40°*	0°	20°	40°*	0°	20°		40°		
	1,000 lb															
39	106.7	-	-	-	-	-	-	-	-	-	-	-	-	39		
46	97.4	82.7	-	-	68.6	-	-	-	-	-	-	-	-	46		
53	89.1	75.6	-	-	63.5	-	-	55.3	-	-	-	-	-	53		
59	82.0	69.4	59.7	-	59.1	-	-	51.6	-	-	45.0	-	-	59		
66	75.6	63.9	56.4	49.4	54.9	43.7	-	48.1	-	-	41.9	-	-	66		
72	69.9	59.1	53.1	47.2	51.1	41.7	-	45.0	-	-	39.2	-	-	72		
79	65.0	54.9	50.0	45.2	47.8	39.7	34.2	42.1	33.3	-	36.8	-	-	79		
85	60.6	51.1	47.2	43.2	44.8	37.9	33.1	39.5	31.7	-	34.6	-	-	85		
92	56.9	48.1	44.5	41.2	42.1	36.2	32.0	37.3	30.2	-	32.6	25.6	-	92		
98	53.4	45.2	42.1	39.2	39.5	34.6	30.9	35.1	28.9	24.9	30.6	24.5	-	98		
105	50.0	42.5	39.9	37.3	37.5	33.1	29.8	33.3	27.8	24.0	29.1	23.4	-	105		
112	47.0	40.1	37.9	35.5	35.3	31.5	28.7	31.3	26.5	23.4	27.6	22.5	19.4	112		
118	44.3	37.9	35.9	34.0	33.5	30.0	27.6	29.8	25.4	22.7	26.0	21.6	18.7	118		
125	41.7	35.7	34.2	32.2	31.7	28.7	26.7	28.2	24.5	22.0	24.7	20.7	18.1	125		
131	39.2	34.0	32.4	30.6	30.0	27.6	25.8	26.9	23.4	21.4	23.6	19.8	17.4	131		
138	37.0	32.0	30.9	29.1	28.4	26.2	24.9	25.6	22.5	20.5	22.3	19.0	16.8	138		
144	35.1	30.2	29.5	28.0	27.1	25.1	24.0	24.3	21.6	19.8	21.2	18.3	16.3	144		
151	33.1	28.7	28.2	26.7	25.6	24.0	23.1	22.9	20.7	19.2	20.3	17.4	15.7	151		
158	31.5	27.3	26.9	25.6	24.5	23.1	22.5	21.8	20.1	18.7	19.2	16.8	15.2	158		
164	30.0	25.8	25.6	-	23.1	22.0	21.6	20.7	19.2	18.1	18.3	16.1	14.8	164		
177	27.3	23.6	23.4	-	20.9	20.3	20.1	18.5	17.9	16.8	16.5	14.8	13.9	177		
190	-	21.6	21.4	-	19.0	18.5	-	16.8	16.3	15.7	14.8	13.4	13.0	190		
203	-	19.8	-	-	17.2	16.8	-	15.0	15.0	-	13.2	12.1	12.1	203		
217	-	-	-	-	15.7	15.2	-	13.4	13.4	-	11.9	11.0	11.2	217		
230	-	-	-	-	-	-	-	12.1	12.1	-	10.4	9.9	-	230		
243	-	-	-	-	-	-	-	10.8	-	-	9.0	8.6	-	243		
256	-	-	-	-	-	-	-	-	-	-	7.7	7.5	-	256		

88,200 lb 360° **85 %**


183.7 ft Main boom

Radius ft	Extension												Radius ft			
	19.7 ft			39.4 ft			59.1 ft			78.7 ft				98.4 ft		
	0°	0°	20°	40°	0°	20°	40°	0°	20°	40°	0°	20°		40°		
	1,000 lb															
39	106.7	-	-	-	-	-	-	-	-	-	-	-	-	39		
46	97.4	82.7	-	-	68.6	-	-	-	-	-	-	-	-	46		
53	81.6	75.6	-	-	63.5	-	-	55.3	-	-	-	-	-	53		
59	65.0	63.7	59.7	-	59.1	-	-	51.6	-	-	45.0	-	-	59		
66	52.7	51.4	56.4	49.4	50.9	43.7	-	48.1	-	-	41.9	-	-	66		
72	43.0	41.9	47.6	47.2	41.7	41.7	-	41.4	-	-	39.2	-	-	72		
79	35.3	34.2	39.5	43.9	34.2	39.7	34.2	34.2	33.3	-	34.4	-	-	79		
85	28.9	28.0	32.6	36.6	28.0	35.1	33.1	28.0	31.7	-	28.4	-	-	85		
92	23.6	22.9	27.1	30.4	22.9	29.1	32.0	23.1	30.2	-	23.6	25.6	-	92		
98	19.0	18.5	22.3	25.4	18.7	24.3	29.3	19.0	26.2	24.9	19.4	24.5	-	98		
105	15.2	15.0	18.3	20.9	15.0	20.3	24.7	15.2	22.0	24.0	15.9	23.4	-	105		
112	11.9	11.7	14.8	17.0	11.9	16.5	20.7	12.1	18.5	23.4	12.8	20.5	19.4	112		
118	9.0	8.6	11.5	13.4	9.3	13.4	17.2	9.5	15.2	20.5	10.1	17.2	18.7	118		
125	6.4	6.2	8.6	10.4	6.8	10.8	14.1	7.1	12.3	17.2	7.7	14.3	18.1	125		
131	-	-	6.2	7.7	4.6	8.4	11.0	5.1	9.9	14.3	5.7	11.9	17.4	131		
138	-	-	-	5.3	-	6.2	8.6	-	7.7	11.7	-	9.5	14.8	138		
144	-	-	-	-	-	-	6.2	-	5.7	9.3	-	7.5	12.3	144		
151	-	-	-	-	-	-	-	-	-	7.3	-	5.7	10.1	151		
158	-	-	-	-	-	-	-	-	-	5.3	-	-	7.9	158		
164	-	-	-	-	-	-	-	-	-	-	-	-	6.2	164		
177	-	-	-	-	-	-	-	-	-	-	-	-	-	177		

Remarks

* 264,600 lb Counterweight

LIFTING CAPACITIES MAIN BOOM EXTENSION WITH SSL 0°

396,800 lb  **360°** **85 %**



183.7 ft Main boom

Radius ft	Extension												Radius ft			
	19.7 ft			39.4 ft			59.1 ft			78.7 ft				98.4 ft		
	0°	0°	20°	40°	0°	20°	40°	0°	20°	40°	0°	20°		40°		
	1,000 lb															
30	110.2	-	-	-	-	-	-	-	-	-	-	-	-	30		
33	110.2	-	-	-	-	-	-	-	-	-	-	-	-	33		
39	110.2	100.8	-	-	82.5	-	-	-	-	-	-	-	-	39		
46	110.2	99.4	-	-	81.8	-	-	66.8	-	-	55.3	-	-	46		
53	110.2	97.7	85.1	-	80.7	-	-	63.9	-	-	53.1	-	-	53		
59	110.2	95.5	82.2	67.9	79.1	59.1	-	61.1	-	-	50.9	-	-	59		
66	107.6	92.8	79.1	65.7	77.4	56.4	-	58.4	-	-	48.9	-	-	66		
72	104.7	90.2	76.3	63.5	75.2	54.0	-	55.8	39.2	-	46.7	-	-	72		
79	101.9	87.1	73.2	61.5	72.8	51.8	41.2	53.1	37.9	-	44.8	-	-	79		
85	98.8	83.8	70.1	59.5	70.1	49.8	40.1	50.7	36.4	-	43.0	30.9	-	85		
92	95.7	80.7	67.0	57.8	67.2	47.8	39.2	48.5	35.3	28.9	41.0	29.8	-	92		
98	92.4	77.4	64.2	56.2	64.6	46.1	38.1	46.1	34.0	28.2	39.2	28.7	-	98		
105	89.1	74.3	61.3	54.7	61.7	44.5	37.5	44.1	33.1	27.6	37.5	27.6	22.3	105		
112	85.8	71.0	58.6	53.1	59.1	43.0	36.6	42.1	32.0	27.1	35.9	26.7	21.8	112		
118	82.0	68.1	56.4	51.8	56.7	41.7	35.9	40.3	31.1	26.7	34.4	25.8	21.2	118		
125	76.1	65.3	54.2	50.5	54.0	40.3	35.1	38.6	30.2	26.0	32.8	24.9	20.7	125		
131	70.5	62.6	52.5	49.2	51.8	39.2	34.4	37.0	29.5	25.6	31.5	24.3	20.3	131		
138	65.8	60.1	50.9	48.2	49.6	38.3	33.8	35.7	28.8	25.2	30.3	23.6	19.8	138		
144	61.1	57.5	49.4	47.2	47.4	37.3	33.3	34.4	28.0	24.9	29.1	22.9	19.4	144		
151	57.0	55.2	48.1	46.3	45.6	36.4	33.0	33.3	27.3	24.6	28.0	22.3	19.1	151		
158	52.9	52.9	46.7	45.4	43.9	35.5	32.6	32.2	26.7	24.3	26.9	21.6	18.7	158		
164	49.5	49.5	45.6	-	42.2	34.7	32.3	31.2	26.1	23.9	26.1	21.1	18.4	164		
177	42.9	43.2	42.9	-	39.2	33.4	31.7	29.4	25.1	23.4	24.6	20.1	17.9	177		
190	-	37.8	38.6	-	36.8	32.4	-	28.1	24.3	22.9	23.1	19.2	17.3	190		
203	-	32.0	-	-	34.0	31.7	-	26.9	23.5	-	22.0	18.3	17.1	203		
217	-	-	-	-	29.4	30.6	-	25.8	22.7	-	20.9	17.6	16.8	217		
230	-	-	-	-	-	-	-	24.8	22.3	-	20.0	17.2	-	230		
243	-	-	-	-	-	-	-	-	-	-	19.0	16.8	-	243		
256	-	-	-	-	-	-	-	-	-	-	17.9	16.5	-	256		

220,500 lb  **360°** **85 %**



ft	Extension												ft			
	19.7 ft			39.4 ft			59.1 ft			78.7 ft				98.4 ft		
	0°	0°	20°	40°	0°	20°	40°	0°	20°	40°	0°	20°		40°		
	1,000 lb															
30	110.2	-	-	-	-	-	-	-	-	-	-	-	-	30		
33	110.2	-	-	-	-	-	-	-	-	-	-	-	-	33		
39	110.2	100.8	-	-	82.5	-	-	-	-	-	-	-	-	39		
46	110.2	99.4	-	-	81.8	-	-	66.8	-	-	55.3	-	-	46		
53	110.2	97.7	85.1	-	80.7	-	-	63.9	-	-	53.1	-	-	53		
59	110.2	95.5	82.2	67.9	79.1	59.1	-	61.1	-	-	50.9	-	-	59		
66	107.6	92.8	79.1	65.7	77.4	56.4	-	58.4	-	-	48.9	-	-	66		
72	104.7	90.2	76.3	63.5	75.2	54.0	-	55.8	39.2	-	46.7	-	-	72		
79	93.5	87.1	73.2	61.5	72.8	51.8	41.2	53.1	37.9	-	44.8	-	-	79		
85	81.4	81.8	70.1	59.5	70.1	49.8	40.1	50.7	36.4	-	43.0	30.9	-	85		
92	71.2	71.7	67.0	57.8	67.2	47.8	39.2	48.5	35.3	28.9	41.0	29.8	-	92		
98	62.8	63.3	64.2	56.2	64.6	46.1	38.1	46.1	34.0	28.2	39.2	28.7	-	98		
105	55.6	56.0	59.5	54.7	57.3	44.5	37.5	44.1	33.1	27.6	37.5	27.6	22.3	105		
112	49.2	49.6	52.9	53.1	50.9	43.0	36.6	42.1	32.0	27.1	35.9	26.7	21.8	112		
118	43.4	43.9	47.2	49.4	45.2	41.7	35.9	40.3	31.1	26.7	34.4	25.8	21.2	118		
125	38.6	38.8	41.9	44.1	40.1	40.3	35.1	38.6	30.2	26.0	32.8	24.9	20.7	125		
131	34.0	34.4	37.3	39.0	35.7	39.2	34.4	37.0	29.5	25.6	31.5	24.3	20.3	131		
138	30.3	30.6	33.2	34.7	32.0	35.5	33.8	33.4	28.8	25.2	30.3	23.6	19.8	138		
144	26.7	26.9	29.1	30.4	28.2	31.7	33.3	29.8	28.0	24.9	29.1	22.9	19.4	144		
151	23.6	23.8	25.9	27.0	25.1	28.4	30.3	26.7	27.3	24.6	27.1	22.3	19.1	151		
158	20.5	20.7	22.7	23.6	22.0	25.1	27.3	23.6	26.7	24.3	25.1	21.6	18.7	158		
164	18.1	18.3	20.0	-	19.5	22.4	24.3	21.1	24.4	23.9	22.6	21.1	18.4	164		
177	13.6	13.7	15.0	-	14.9	17.3	18.5	16.3	19.6	22.0	17.9	20.1	17.9	177		
190	-	9.8	10.8	-	11.0	12.9	-	12.3	15.2	17.1	13.8	17.5	17.3	190		
203	-	6.4	-	-	7.7	9.1	-	9.0	11.5	-	10.4	13.7	15.5	203		
217	-	-	-	-	4.9	6.0	-	6.2	7.9	-	7.3	10.1	11.9	217		
230	-	-	-	-	-	-	-	-	5.1	-	4.9	7.1	-	230		

LIFTING CAPACITIES MAIN BOOM EXTENSION WITH SSL 30°

  **85 %**

183.7 ft Main boom

Radius ft	Extension				Radius ft
	39.4 ft 0°	59.1 ft 0°	78.7 ft 0°	98.4 ft 0°	
	1,000 lb				
39	108.0	92.4	-	-	39
46	104.7	88.2	72.8	63.1	46
53	101.2	84.2	67.5	58.4	53
59	97.2	80.2	62.8	54.2	59
66	93.0	76.3	58.6	50.5	66
72	88.6	72.5	54.9	47.2	72
79	84.2	69.0	51.6	44.3	79
85	79.8	65.5	48.7	41.7	85
92	75.4	62.2	46.1	39.2	92
98	71.2	59.1	43.7	37.3	98
105	67.2	56.2	41.9	35.5	105
112	63.3	53.4	39.9	33.7	112
118	60.0	50.7	38.4	32.4	118
125	56.7	48.3	36.8	31.1	125
131	53.8	46.1	35.3	29.8	131
138	51.1	44.1	34.1	28.7	138
144	48.5	42.1	32.8	27.6	144
151	46.1	40.3	31.7	26.6	151
158	43.7	38.6	30.6	25.6	158
164	41.6	37.0	29.5	24.7	164
177	37.4	34.0	27.6	23.0	177
190	33.3	31.0	25.9	21.6	190
203	-	28.1	24.3	20.2	203
217	-	24.8	22.5	19.0	217
230	-	-	20.9	18.0	230
243	-	-	-	16.8	243
256	-	-	-	15.7	256

  **85 %**

183.7 ft Main boom

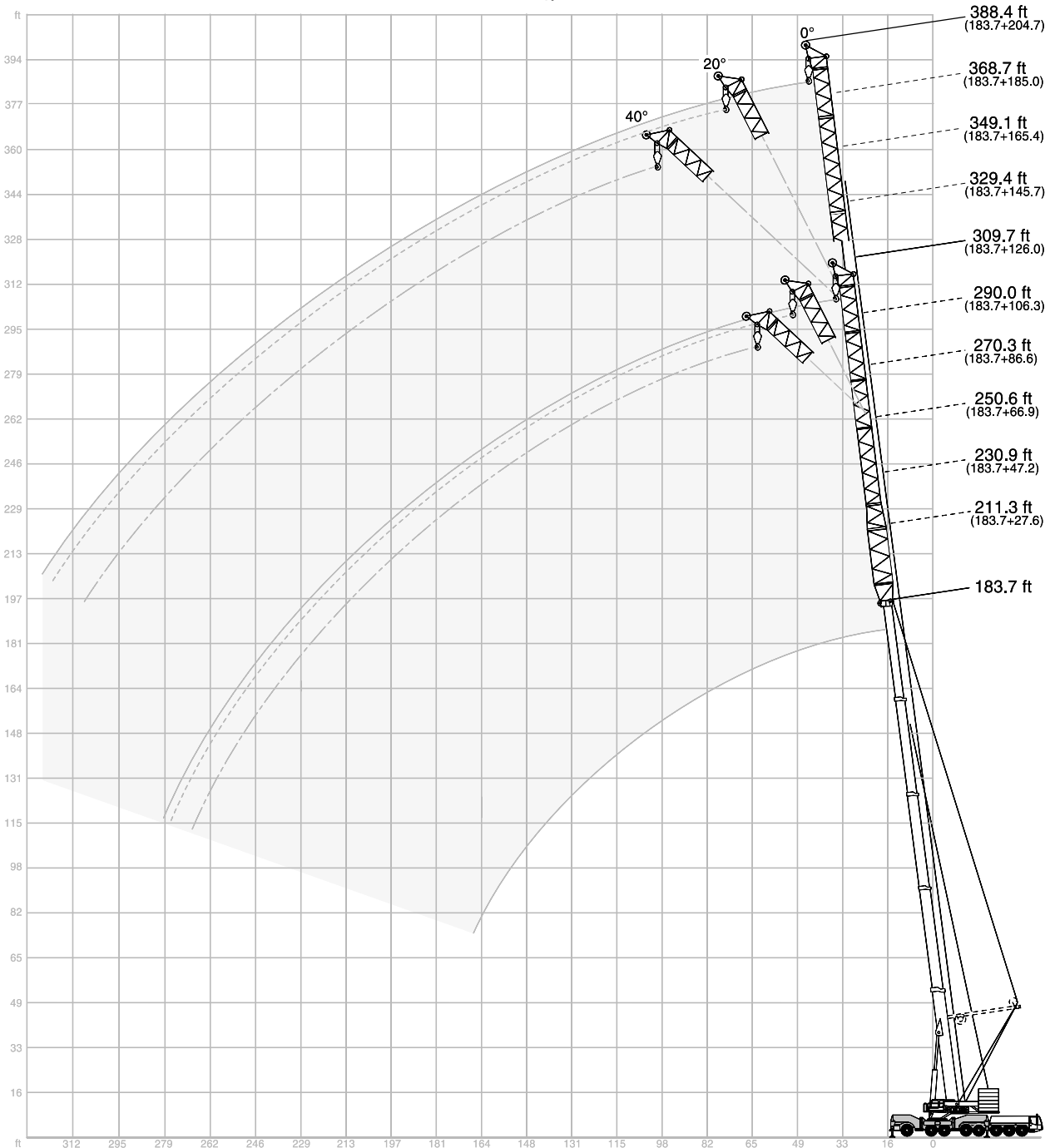
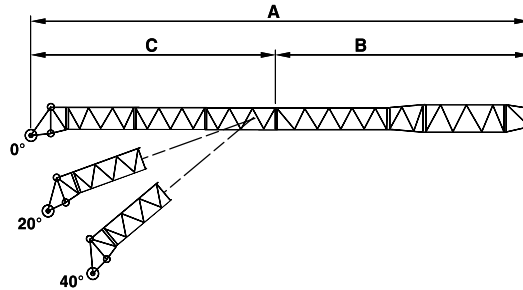
Radius ft	Extension				Radius ft
	39.4 ft 0°	59.1 ft 0°	78.7 ft 0°	98.4 ft 0°	
	1,000 lb				
39	108.0	92.4	-	-	39
46	104.7	88.2	72.8	63.1	46
53	101.2	84.2	67.5	58.4	53
59	97.2	80.2	62.8	54.2	59
66	93.0	76.3	58.6	50.5	66
72	88.6	72.5	54.9	47.2	72
79	84.2	69.0	51.6	44.3	79
85	79.8	65.5	48.7	41.7	85
92	71.7	62.2	46.1	39.2	92
98	63.3	59.1	43.7	37.3	98
105	56.0	56.2	41.9	35.5	105
112	49.6	50.9	39.9	33.7	112
118	43.9	45.2	38.4	32.4	118
125	38.8	40.1	36.8	31.1	125
131	34.4	35.7	35.3	29.8	131
138	30.6	32.0	32.5	28.7	138
144	26.9	28.2	29.8	27.6	144
151	23.8	25.1	26.7	26.3	151
158	20.7	22.0	23.6	25.1	158
164	18.3	19.5	21.1	22.6	164
177	13.7	14.9	16.3	17.9	177
190	9.8	11.0	12.3	13.8	190
203	-	7.6	9.0	10.4	203
217	-	4.9	6.2	7.3	217
230	-	-	-	4.9	230

WORKING RANGES FIXED FLY JIB WITH / WITHOUT SSL

OFFSET FIXED FLY JIB

A	B	C
0° / 20° / 40°		
86.6 ft	48.9 ft	37.7 ft
106.3 ft	48.9 ft	57.4 ft
126.0 ft	68.6 ft	57.4 ft
145.7 ft	68.6 ft	77.0 ft
165.4 ft	88.2 ft	77.0 ft
185.0 ft	88.2 ft	96.8 ft
204.7 ft	107.9 ft	96.8 ft

(27.6 ft, 47.2 ft + 66.9 ft only 0°)



LIFTING CAPACITIES FIXED FLY JIB

☰  360° 85 %

183.4 ft Main boom

Radius ft	Fly jib												Radius ft						
	27.6 ft			47.2 ft			66.9 ft			86.6 ft				106.3 ft			126.0 ft		
	0°	0°	0°	0°	20°	40°	0°	20°	40°	0°	20°	40°		0°	20°	40°			
	1,000 lb																		
46	90.6	76.9	-	-	-	-	-	-	-	-	-	-	-	-	-	46			
53	82.2	70.3	62.6	52.7	-	-	-	-	-	-	-	-	-	-	-	53			
59	74.7	64.4	58.0	48.7	-	-	-	-	-	-	-	-	-	-	-	59			
66	68.3	59.1	53.8	45.2	40.6	-	-	-	-	-	-	-	-	-	-	66			
72	62.6	54.2	49.8	41.9	37.9	-	-	-	-	-	-	-	-	-	-	72			
79	58.1	50.3	46.5	39.1	35.5	33.5	-	-	-	-	-	-	-	-	-	79			
85	53.6	46.3	43.2	36.4	33.3	31.7	-	-	-	-	-	-	-	-	-	85			
92	49.9	43.1	40.3	34.1	31.3	30.0	-	-	-	-	-	-	-	-	-	92			
98	46.3	39.9	37.5	31.7	29.5	28.2	-	-	-	-	-	-	-	-	-	98			
105	43.5	37.4	35.2	29.8	28.0	26.9	-	-	-	-	-	-	-	-	-	105			
112	40.8	34.8	32.8	27.8	26.5	25.4	-	-	-	-	-	-	-	-	-	112			
118	38.4	32.7	31.0	26.2	25.1	24.3	-	-	-	-	-	-	-	-	-	118			
125	35.9	30.6	29.1	24.7	23.8	22.9	-	-	-	-	-	-	-	-	-	125			
131	34.0	28.9	27.4	23.4	22.5	21.8	-	-	-	-	-	-	-	-	-	131			
144	30.3	25.7	24.5	20.8	20.3	19.8	-	-	-	-	-	-	-	-	-	144			
158	27.2	22.9	21.9	18.5	18.3	18.1	-	-	-	-	-	-	-	-	-	158			
171	24.4	20.5	19.7	16.4	16.4	16.5	-	-	-	-	-	-	-	-	-	171			
184	21.5	18.4	18.0	14.7	14.8	14.9	-	-	-	-	-	-	-	-	-	184			
197	18.6	16.5	16.5	13.2	13.1	13.2	-	-	-	-	-	-	-	-	-	197			
210	-	14.7	15.0	11.7	11.7	-	-	-	-	-	-	-	-	-	-	210			
223	-	-	13.7	10.6	10.6	-	-	-	-	-	-	-	-	-	-	223			
236	-	-	12.4	9.5	9.5	-	-	-	-	-	-	-	-	-	-	236			
249	-	-	-	8.6	-	-	-	-	-	-	-	-	-	-	-	249			
263	-	-	-	-	-	-	-	-	-	-	-	-	-	-	-	263			
276	-	-	-	-	-	-	-	-	-	-	-	-	-	-	-	276			

ft	145.7 ft			165.4 ft			185.0 ft			204.7 ft			ft
	1,000 lb												
72	29.3	-	-	25.8	-	-	-	-	-	-	-	-	72
79	27.3	-	-	24.0	-	-	21.2	-	-	-	-	-	79
85	25.4	-	-	22.3	-	-	19.8	-	-	-	17.2	-	85
92	23.7	-	-	20.7	-	-	18.5	-	-	-	16.0	-	92
98	22.0	20.1	-	19.2	17.9	-	17.2	-	-	-	14.8	-	98
105	20.6	19.0	-	17.9	16.8	-	16.0	-	-	-	13.7	-	105
112	19.2	17.9	16.8	16.5	15.7	-	14.8	13.7	-	-	12.6	-	112
118	18.0	16.8	15.9	15.4	14.8	14.3	13.7	12.8	-	-	11.6	11.0	118
125	16.8	15.9	15.0	14.3	13.9	13.4	12.6	11.9	-	-	10.6	10.4	125
131	15.8	14.8	14.3	13.3	13.0	12.6	11.7	11.2	-	-	9.7	9.5	131
144	13.9	13.2	12.8	11.6	11.2	11.2	10.0	9.7	9.7	-	7.9	8.2	144
158	12.2	11.7	11.5	10.0	9.9	9.9	8.5	8.4	8.4	-	6.4	6.8	158
171	10.8	10.4	10.3	8.7	8.6	8.7	7.2	7.2	7.4	-	5.2	5.6	171
184	9.5	9.3	9.1	7.6	7.5	7.6	6.1	6.2	6.3	-	-	4.4	184
197	8.2	8.2	8.2	6.5	6.5	6.6	5.1	5.1	5.3	-	-	-	197
210	7.2	7.2	7.3	5.5	5.5	5.7	-	-	4.4	-	-	-	210
223	6.2	6.2	6.4	4.6	4.6	4.9	-	-	-	-	-	-	223
236	5.3	5.5	5.6	-	-	-	-	-	-	-	-	-	236
249	4.4	4.6	4.9	-	-	-	-	-	-	-	-	-	249

Remarks

Counterweight 88,200 lb 132,300 lb 176,400 lb 220,500 lb 264,600 lb 308,600 lb 352,700 lb

Max. capacities with minimum counterweight

Further counterweight configurations on request

ALL TERRAIN CRANE AC 500-2

LIFTING CAPACITIES FIXED FLY JIB WITH SSL

360° 85 %

183.4 ft Main boom

Radius	Fly jib												Radius			
	27.6 ft		47.2 ft		66.9 ft		86.6 ft			106.3 ft				126.0 ft		
ft	0°	0°	0°	0°	20°	40°	0°	20°	40°	0°	20°	40°	0°	20°	40°	ft
39	159.0	95.7	-	-	-	-	-	-	-	-	-	-	-	-	-	39
46	146.4	123.2	103.6	58.6	-	-	-	-	-	-	-	-	-	-	-	46
53	134.7	113.1	95.2	81.8	-	-	70.8	-	-	41.9	-	-	41.9	-	-	53
59	124.1	104.3	88.0	75.4	57.1	-	65.7	-	-	57.8	-	-	57.8	-	-	59
66	114.4	96.3	81.6	69.9	54.0	-	60.8	-	-	53.6	-	-	53.6	-	-	66
72	105.6	89.5	76.1	64.8	50.9	43.9	56.7	40.6	-	49.8	-	-	49.8	-	-	72
79	97.8	83.7	71.4	60.7	48.3	41.9	53.0	38.6	-	46.6	35.1	-	46.6	35.1	-	79
85	91.5	77.8	66.8	56.7	45.6	40.1	49.4	36.6	31.3	43.4	33.3	-	43.4	33.3	-	85
92	87.0	73.1	63.2	53.4	43.4	38.6	46.4	34.8	30.4	40.7	31.5	27.3	40.7	31.5	27.3	92
98	82.5	68.3	59.5	50.0	41.2	36.8	43.4	33.1	29.3	37.9	30.0	26.2	37.9	30.0	26.2	98
105	78.5	64.8	56.7	47.4	39.5	35.5	41.1	31.5	28.2	35.7	28.7	25.4	35.7	28.7	25.4	105
112	74.5	61.5	53.8	44.8	37.5	34.0	38.8	30.0	27.3	33.5	27.1	24.3	33.5	27.1	24.3	112
118	71.3	58.8	51.3	42.7	35.9	32.8	36.8	28.7	26.2	31.7	25.8	23.4	31.7	25.8	23.4	118
125	68.1	56.0	48.7	40.6	34.4	31.5	34.8	27.3	25.4	30.0	24.7	22.5	30.0	24.7	22.5	125
131	64.0	53.6	46.2	38.7	33.1	30.4	33.3	26.0	24.3	28.5	23.6	21.6	28.5	23.6	21.6	131
144	55.7	49.2	41.3	35.2	30.6	28.2	30.4	23.8	22.5	25.9	21.4	20.1	25.9	21.4	20.1	144
158	47.6	45.4	37.8	32.0	28.2	26.5	27.9	21.8	20.7	23.6	19.6	18.5	23.6	19.6	18.5	158
171	40.8	41.2	35.2	29.0	26.2	24.7	25.7	20.3	19.2	21.6	18.1	17.2	21.6	18.1	17.2	171
184	35.1	36.0	32.8	26.2	24.5	23.4	23.7	19.0	17.9	19.8	16.8	15.9	19.8	16.8	15.9	184
197	27.3	31.1	30.9	23.7	22.9	-	21.8	17.9	16.8	18.3	15.4	14.8	18.3	15.4	14.8	197
210	-	25.2	29.2	22.3	21.6	-	20.1	17.0	15.9	16.8	14.3	13.7	16.8	14.3	13.7	210
223	-	-	25.8	20.9	20.3	-	18.4	16.1	-	15.4	13.4	12.8	15.4	13.4	12.8	223
236	-	-	19.4	19.8	18.5	-	16.8	15.4	-	14.1	12.6	-	14.1	12.6	-	236
249	-	-	-	16.8	-	-	15.4	14.8	-	12.8	11.7	-	12.8	11.7	-	249
263	-	-	-	-	-	-	14.6	13.4	-	12.0	10.8	-	12.0	10.8	-	263
276	-	-	-	-	-	-	11.0	-	-	11.2	9.9	-	11.2	9.9	-	276
289	-	-	-	-	-	-	-	-	-	9.0	-	-	9.0	-	-	289

ft	145.7 ft			165.4 ft			185.0 ft			204.7 ft			ft
	0°	20°	40°	0°	20°	40°	0°	20°	40°	0°	20°	40°	
59	33.1	-	-	27.3	-	-	22.7	-	-	-	-	-	59
66	47.2	-	-	27.1	-	-	22.7	-	-	-	-	-	66
72	44.1	-	-	39.0	-	-	34.8	-	-	17.4	-	-	72
79	41.2	-	-	36.6	-	-	32.6	-	-	28.9	-	-	79
85	38.4	26.7	-	34.2	-	-	30.4	-	-	26.9	-	-	85
92	36.0	25.8	-	32.1	24.0	-	28.5	-	-	25.2	-	-	92
98	33.7	24.7	-	30.0	22.7	-	26.7	-	-	23.6	-	-	98
105	31.7	23.6	20.1	28.1	21.6	-	25.0	19.2	-	22.0	-	-	105
112	29.8	22.7	19.4	26.2	20.5	18.1	23.4	18.3	-	20.5	15.4	-	112
118	28.2	21.8	18.7	24.8	19.6	17.2	22.0	17.4	-	19.2	14.8	-	118
125	26.7	20.7	18.3	23.4	18.5	16.5	20.7	16.5	-	17.9	14.1	-	125
131	25.4	19.8	17.6	22.0	17.6	15.9	19.5	15.7	13.9	16.8	13.4	-	131
144	22.9	18.3	16.5	19.7	16.1	14.6	17.3	14.1	12.8	14.7	12.1	11.2	144
158	20.8	16.8	15.4	17.9	14.6	13.2	15.4	12.6	11.7	12.9	10.8	10.1	158
171	19.0	15.2	14.3	16.2	13.2	12.1	13.9	11.2	10.6	11.5	9.5	9.0	171
184	17.4	14.1	13.4	14.7	11.9	11.2	12.6	9.9	9.5	10.1	8.2	7.7	184
197	16.1	13.0	12.6	13.2	10.8	10.4	11.4	8.8	8.4	9.0	6.8	6.6	197
210	14.8	12.1	11.7	12.1	9.9	9.5	10.3	7.7	7.3	8.0	5.3	5.5	210
223	13.6	11.2	11.0	11.0	9.0	8.8	9.1	6.6	6.4	7.2	-	-	223
236	12.3	10.6	10.4	10.1	8.2	8.2	8.2	5.7	5.3	6.4	-	-	236
249	11.4	9.9	-	9.0	7.3	7.5	7.5	4.9	4.4	5.6	-	-	249
263	10.3	9.3	-	8.3	6.6	7.1	6.6	-	-	4.9	-	-	263
276	9.3	8.8	-	7.5	5.7	-	6.0	-	-	-	-	-	276
289	8.6	8.2	-	6.6	5.1	-	5.2	-	-	-	-	-	289
302	8.0	-	-	5.7	-	-	-	-	-	-	-	-	302
315	4.6	-	-	4.9	-	-	-	-	-	-	-	-	315
328	-	-	-	-	-	-	-	-	-	-	-	-	328

Remarks: see page 20

Counterweight 176,400 lb 220,500 lb 264,600 lb 308,600 lb 352,700 lb 396,800 lb

LIFTING CAPACITIES FIXED FLY JIB

 360°

85 %
169.9 ft Main boom

Radius ft	Fly jib												Radius ft						
	27.6 ft			47.2 ft			66.9 ft			86.6 ft				106.3 ft			126.0 ft		
	0°			0°			0°			0°			20°			40°			
	1,000 lb																		
39	117.7	-	-	-	-	-	-	-	-	-	-	-	-	-	-	-	-	39	
46	106.0	89.1	76.1	-	-	-	-	-	-	-	-	-	-	-	-	-	-	46	
53	96.1	81.6	70.1	60.6	-	-	-	-	-	-	-	-	-	-	-	-	-	53	
59	87.5	75.0	64.6	56.0	-	-	-	48.5	-	-	-	-	-	-	42.8	-	-	59	
66	80.0	69.0	59.7	51.6	45.2	-	-	45.0	-	-	-	-	-	-	39.7	-	-	66	
72	73.6	63.7	55.3	47.8	42.3	39.5	-	41.7	-	-	-	-	-	-	36.8	-	-	72	
79	68.6	59.3	51.7	44.5	39.7	37.3	-	38.8	34.2	-	-	-	-	-	34.3	30.6	-	79	
85	63.5	54.9	48.1	41.2	37.3	35.3	-	35.9	32.0	-	-	-	-	-	31.7	28.7	-	85	
92	59.5	51.3	45.3	38.7	35.1	33.3	-	33.7	30.2	28.0	-	-	-	-	29.7	26.9	25.6	92	
98	55.6	47.6	42.5	36.2	33.1	31.5	-	31.5	28.4	26.7	-	-	-	-	27.6	25.4	24.0	98	
105	52.1	44.9	40.3	34.1	31.3	30.0	-	29.7	26.9	25.4	-	-	-	-	25.9	24.0	22.9	105	
112	48.7	42.1	38.1	32.0	29.5	28.4	-	27.8	25.4	24.3	-	-	-	-	24.3	22.5	21.6	112	
118	45.9	39.7	36.3	30.3	28.2	27.1	-	26.2	24.3	23.1	-	-	-	-	22.8	21.2	20.5	118	
125	43.0	37.3	34.4	28.7	26.7	26.0	-	24.7	22.9	22.0	-	-	-	-	21.4	20.1	19.4	125	
131	40.6	35.3	32.7	27.3	25.6	24.9	-	23.5	21.8	20.9	-	-	-	-	20.2	19.0	18.5	131	
144	36.0	31.7	29.7	24.8	23.4	22.7	-	21.2	19.8	19.2	-	-	-	-	18.0	17.0	16.8	144	
158	32.3	28.8	26.9	22.5	21.4	21.2	-	19.2	18.1	17.6	-	-	-	-	16.1	15.4	15.2	158	
171	29.3	26.1	24.5	20.5	19.6	19.5	-	17.4	16.5	16.3	-	-	-	-	14.4	13.9	13.7	171	
184	26.8	23.9	22.5	18.7	18.1	18.1	-	15.8	15.2	15.1	-	-	-	-	12.9	12.6	12.5	184	
197	-	21.6	20.7	17.3	16.8	-	-	14.6	14.0	14.0	-	-	-	-	11.8	11.4	11.5	197	
210	-	-	19.3	15.9	15.5	-	-	13.4	12.9	-	-	-	-	-	10.6	10.4	10.6	210	
223	-	-	17.8	14.6	14.3	-	-	12.3	11.9	-	-	-	-	-	9.7	9.5	9.7	223	
236	-	-	-	13.4	-	-	-	11.2	11.1	-	-	-	-	-	8.8	8.7	-	236	
249	-	-	-	-	-	-	-	10.4	10.4	-	-	-	-	-	8.0	7.9	-	249	
263	-	-	-	-	-	-	-	9.6	-	-	-	-	-	-	7.4	7.4	-	263	
276	-	-	-	-	-	-	-	-	-	-	-	-	-	-	6.7	-	-	276	
289	-	-	-	-	-	-	-	-	-	-	-	-	-	-	-	-	-	289	

ft	145.7 ft			165.4 ft			185.0 ft			204.7 ft			ft
	1,000 lb												
66	35.7	-	-	-	-	-	-	-	-	-	-	66	
72	33.3	-	-	29.5	-	-	26.5	-	-	-	-	72	
79	31.1	-	-	27.6	-	-	24.7	-	-	21.6	-	79	
85	28.9	-	-	25.6	-	-	22.9	-	-	20.1	-	85	
92	27.0	24.0	-	23.8	-	-	21.4	-	-	18.6	-	92	
98	25.1	22.7	-	22.0	20.5	-	19.8	-	-	17.2	-	98	
105	23.5	21.4	-	20.6	19.2	-	18.4	17.0	-	16.0	-	105	
112	21.8	20.1	19.0	19.2	18.1	-	17.0	15.9	-	14.8	14.1	112	
118	20.5	19.0	18.1	18.0	17.0	16.3	15.9	15.0	-	13.7	13.2	118	
125	19.2	17.9	17.2	16.8	15.9	15.4	14.8	14.1	-	12.6	12.3	125	
131	18.1	17.0	16.3	15.7	15.0	14.6	13.8	13.2	12.8	11.7	11.5	131	
144	16.1	15.2	14.8	13.7	13.2	13.0	11.9	11.5	11.2	9.9	9.9	144	
158	14.3	13.7	13.2	12.1	11.7	11.7	10.3	10.1	9.9	8.4	8.4	158	
171	12.8	12.2	12.0	10.8	10.4	10.4	8.9	8.8	8.9	7.1	7.2	171	
184	11.5	11.1	10.9	9.6	9.1	9.1	7.8	7.7	7.8	5.8	6.1	184	
197	10.3	10.0	9.9	8.3	8.2	8.2	6.8	6.7	6.8	4.9	5.1	197	
210	9.3	9.0	9.0	7.3	7.3	7.3	6.0	5.8	6.0	-	-	210	
223	8.4	8.2	8.2	6.4	6.4	6.4	5.2	5.1	5.1	-	-	223	
236	7.5	7.3	7.5	5.6	5.6	5.7	-	-	4.4	-	-	236	
249	6.7	6.6	-	4.9	4.9	5.0	-	-	-	-	-	249	
263	6.1	6.1	-	-	-	-	-	-	-	-	-	263	
276	5.5	5.5	-	-	-	-	-	-	-	-	-	276	
289	5.1	5.1	-	-	-	-	-	-	-	-	-	289	
302	4.6	-	-	-	-	-	-	-	-	-	-	302	
315	-	-	-	-	-	-	-	-	-	-	-	315	


Remarks

 Counterweight 88,200 lb 132,300 lb 176,400 lb 220,500 lb 264,600 lb 308,600 lb 352,700 lb

Max. capacities with minimum counterweight · Further counterweight configurations on request

ALL TERRAIN CRANE
AC 500-2

LIFTING CAPACITIES FIXED FLY JIB WITH SSL

														85 %							
169.9 ft Main boom																					
		Fly jib																			
		27.6 ft			47.2 ft			66.9 ft			86.6 ft			106.3 ft			126.0 ft				
Radius		0°			0°			0°			0° 20° 40°			0° 20° 40°			0° 20° 40°			Radius	
ft		1,000 lb												ft							
33	179.5	-	-	-	-	-	-	-	-	-	-	-	-	-	-	-	-	-	-	33	
39	166.0	145.9	-	-	126.8	73.9	-	-	-	-	-	-	-	-	-	-	-	-	-	39	
46	153.4	134.5	-	-	116.0	97.0	-	-	-	80.7	-	-	-	-	-	-	-	-	-	46	
53	141.5	124.1	-	-	106.5	89.7	-	-	-	75.0	-	-	-	66.1	-	-	-	-	-	53	
59	130.7	114.6	-	-	97.9	83.1	63.3	-	-	70.1	-	-	-	61.9	-	-	-	-	-	59	
66	120.8	106.0	-	-	90.4	77.4	59.5	51.1	-	65.5	47.4	-	-	58.0	-	-	-	-	-	66	
72	115.1	98.3	-	-	83.8	72.1	56.0	48.7	-	61.3	45.0	-	-	54.5	40.8	-	-	-	-	72	
79	109.7	91.6	-	-	78.3	67.6	52.9	46.5	-	57.7	42.5	-	-	51.3	38.8	-	-	-	-	79	
85	104.3	86.9	-	-	72.8	63.1	50.0	44.5	-	54.0	40.3	35.3	-	48.1	36.6	31.7	-	-	-	85	
92	99.4	82.3	-	-	68.9	59.4	47.4	42.5	-	51.0	38.4	34.0	-	45.3	34.8	30.4	-	-	-	92	
98	94.6	77.8	-	-	65.3	55.8	45.2	40.8	-	48.1	36.4	32.8	-	42.5	32.8	29.3	-	-	-	98	
105	88.8	74.0	-	-	61.9	52.8	43.0	39.2	-	45.6	34.6	31.5	-	40.3	31.3	28.2	-	-	-	105	
112	83.1	70.1	-	-	58.6	49.8	41.0	37.5	-	43.2	32.8	30.4	-	38.1	29.8	26.9	-	-	-	112	
118	76.8	66.8	-	-	55.8	47.3	39.2	36.2	-	41.1	31.3	29.1	-	36.2	28.2	26.0	-	-	-	118	
125	70.5	63.5	-	-	52.9	44.8	37.5	34.6	-	39.0	29.8	28.0	-	34.2	26.9	24.9	-	-	-	125	
131	65.4	60.6	-	-	50.5	42.7	36.2	33.5	-	37.3	28.4	26.9	-	32.6	25.6	23.8	-	-	-	131	
144	55.9	55.2	-	-	46.2	38.7	33.3	31.1	-	34.0	25.8	24.7	-	29.7	23.4	22.0	-	-	-	144	
158	48.0	49.1	-	-	42.7	35.1	30.6	28.9	-	31.0	23.8	22.7	-	27.0	21.2	20.3	-	-	-	158	
171	41.2	42.3	-	-	39.7	31.9	28.4	27.1	-	28.3	22.3	20.9	-	24.7	19.6	18.7	-	-	-	171	
184	32.6	36.4	-	-	37.3	28.9	26.7	25.4	-	25.8	20.7	19.6	-	22.5	18.1	17.2	-	-	-	184	
197	-	30.0	-	-	34.4	27.6	24.9	-	-	23.6	19.6	18.5	-	20.7	16.8	15.9	-	-	-	197	
210	-	-	-	-	30.2	26.1	23.4	-	-	21.5	18.7	-	-	19.0	15.4	14.8	-	-	-	210	
223	-	-	-	-	23.4	24.5	21.8	-	-	20.1	17.9	-	-	17.4	14.6	-	-	-	-	223	
236	-	-	-	-	-	20.6	-	-	-	19.1	17.0	-	-	15.8	13.4	-	-	-	-	236	
249	-	-	-	-	-	-	-	-	-	17.9	16.3	-	-	14.6	12.3	-	-	-	-	249	
263	-	-	-	-	-	-	-	-	-	13.9	-	-	-	13.7	11.5	-	-	-	-	263	
276	-	-	-	-	-	-	-	-	-	-	-	-	-	12.0	-	-	-	-	-	276	

		145.7 ft			165.4 ft			185.0 ft			204.7 ft				
ft		1,000 lb												ft	
53	40.8	-	-	-	-	-	-	-	-	-	-	-	-	-	53
59	54.2	-	-	-	47.6	-	-	-	-	-	-	-	-	-	59
66	50.9	-	-	-	45.0	-	-	-	28.9	-	-	-	23.4	-	66
72	47.8	-	-	-	42.8	-	-	-	39.0	-	-	-	22.9	-	72
79	45.1	-	-	-	40.5	-	-	-	36.5	-	-	-	32.6	-	79
85	42.3	29.8	-	-	38.1	28.0	-	-	34.2	-	-	-	30.4	-	85
92	40.0	28.7	-	-	36.2	26.5	-	-	32.1	-	-	-	28.5	-	92
98	37.7	27.3	-	-	34.2	25.1	-	-	30.0	-	-	-	26.7	-	98
105	35.6	26.2	22.7	-	32.3	23.8	20.9	-	28.2	21.4	-	-	25.0	17.9	105
112	33.5	25.1	21.8	-	30.4	22.5	20.1	-	26.5	20.3	-	-	23.4	17.0	112
118	31.9	24.0	21.2	-	28.8	21.4	19.2	-	24.9	19.2	-	-	21.9	16.3	118
125	30.2	22.9	20.3	-	27.1	20.3	18.3	-	23.4	18.1	16.3	-	20.5	15.4	125
131	28.7	21.8	19.6	-	25.6	19.2	17.4	-	22.0	17.2	15.7	-	19.3	14.8	131
144	25.9	19.8	18.3	-	22.8	17.2	15.9	-	19.6	15.4	14.1	-	17.0	13.2	144
158	23.5	18.1	17.0	-	20.4	15.7	14.6	-	17.6	13.7	12.8	-	15.1	11.7	158
171	21.3	16.5	15.9	-	18.2	14.1	13.2	-	16.0	12.3	11.5	-	13.6	10.4	171
184	19.4	15.2	14.8	-	16.5	12.8	12.1	-	14.6	11.0	10.4	-	12.1	9.0	184
197	17.7	14.1	13.7	-	14.9	11.7	11.2	-	13.2	9.7	9.3	-	10.8	7.7	197
210	16.2	13.0	12.8	-	13.6	10.6	10.4	-	12.0	8.6	8.2	-	9.6	6.4	210
223	14.8	12.1	11.9	-	12.3	9.7	9.5	-	10.8	7.5	7.1	-	8.6	5.1	223
236	13.6	11.5	11.0	-	11.4	9.0	8.8	-	9.9	6.6	6.2	-	7.7	-	236
249	12.3	10.8	-	-	10.4	8.2	8.2	-	9.0	5.5	5.1	-	6.8	-	249
263	11.2	10.1	-	-	9.5	7.5	-	-	8.2	4.6	-	-	6.0	-	263
276	10.3	9.5	-	-	8.6	6.8	-	-	7.3	-	-	-	5.3	-	276
289	9.6	-	-	-	7.7	6.0	-	-	6.6	-	-	-	4.6	-	289
302	-	-	-	-	6.8	5.1	-	-	5.7	-	-	-	-	-	302
315	-	-	-	-	5.7	-	-	-	5.0	-	-	-	-	-	315

Remarks: see page 22

Counterweight	176,400 lb	220,500 lb	264,600 lb	308,600 lb	352,700 lb	396,800 lb
---------------	------------	------------	------------	------------	------------	------------

LIFTING CAPACITIES FIXED FLY JIB

360°

85 %
139.4 ft Main boom

Radius ft	Fly jib												Radius ft						
	27.6 ft			47.2 ft			66.9 ft			86.6 ft				106.3 ft			126.0 ft		
	0°	0°	0°	0°	20°	40°	0°	20°	40°	0°	20°	40°		0°	20°	40°			
	1,000 lb																		
33	172.6	-	-	-	-	-	-	-	-	-	-	-	-	-	-	-	33		
39	152.3	137.8	107.6	-	-	-	-	-	-	-	-	-	-	-	-	-	39		
46	135.1	122.4	101.0	97.0	-	-	-	-	-	-	-	-	-	-	-	-	46		
53	121.0	109.6	94.6	88.6	-	-	-	76.7	-	-	-	67.0	-	-	-	-	53		
59	109.1	98.5	88.2	81.1	68.3	-	-	72.1	-	-	-	63.1	-	-	-	-	59		
66	99.2	89.3	82.2	74.5	65.3	56.7	-	67.5	50.3	-	-	59.5	-	-	-	-	66		
72	91.1	81.6	76.5	68.6	62.2	54.7	-	63.1	47.8	-	-	56.0	46.3	-	-	-	72		
79	84.4	75.5	71.2	63.6	59.1	52.7	-	59.1	45.6	39.5	-	52.8	43.9	-	-	-	79		
85	77.8	69.4	65.9	58.6	55.8	50.9	-	55.1	43.7	38.1	-	49.6	41.7	38.1	-	-	85		
92	72.6	64.8	61.3	54.8	52.9	48.7	-	51.5	41.7	37.0	-	46.6	39.7	36.6	-	-	92		
98	67.5	60.2	56.7	50.9	49.8	46.7	-	47.8	39.7	35.7	-	43.7	37.7	35.3	-	-	98		
105	63.2	56.3	53.0	47.8	47.0	44.8	-	44.8	37.9	34.6	-	41.1	35.9	34.0	-	-	105		
112	58.9	52.5	49.4	44.8	44.1	42.8	-	41.7	36.2	33.3	-	38.6	34.4	32.6	-	-	112		
118	55.4	49.3	46.4	42.1	41.7	40.8	-	39.0	34.6	32.2	-	36.3	32.8	31.5	-	-	118		
125	52.0	46.1	43.4	39.5	39.2	38.8	-	36.4	33.1	31.1	-	34.0	31.5	30.4	-	-	125		
131	49.1	43.5	41.2	37.3	37.0	36.8	-	34.3	31.5	30.0	-	32.1	30.2	29.3	-	-	131		
144	43.4	39.0	37.3	33.2	33.1	33.3	-	30.4	28.7	27.8	-	28.5	27.6	27.1	-	-	144		
158	37.9	35.3	34.0	29.8	29.8	30.0	-	27.3	26.0	25.6	-	25.4	25.1	25.1	-	-	158		
171	-	32.1	31.2	27.0	26.8	-	-	24.7	23.6	23.6	-	22.8	22.8	22.9	-	-	171		
184	-	-	28.7	24.6	24.0	-	-	22.7	21.5	21.6	-	20.5	20.5	20.7	-	-	184		
197	-	-	-	22.5	21.4	-	-	20.9	19.6	-	-	18.5	18.4	18.4	-	-	197		
210	-	-	-	20.7	-	-	-	19.2	18.1	-	-	16.9	16.5	-	-	-	210		
223	-	-	-	-	-	-	-	17.6	16.8	-	-	15.4	14.8	-	-	-	223		
236	-	-	-	-	-	-	-	-	-	-	-	14.0	13.5	-	-	-	236		
249	-	-	-	-	-	-	-	-	-	-	-	12.6	-	-	-	-	249		

ft	145.7 ft			165.4 ft			185.0 ft			204.7 ft			ft
	1,000 lb												
	0°	20°	40°	0°	20°	40°	0°	20°	40°	0°	20°	40°	
59	55.8	-	-	48.1	-	-	-	-	-	-	-	-	59
66	52.2	-	-	44.8	-	-	39.7	-	-	-	-	-	66
72	48.9	-	-	41.9	-	-	37.0	-	-	-	32.2	-	72
79	46.1	-	-	39.2	-	-	34.7	-	-	-	30.1	-	79
85	43.2	33.7	-	36.6	31.3	-	32.4	-	-	-	28.0	-	85
92	40.7	32.6	-	34.4	29.8	-	30.4	-	-	-	26.1	-	92
98	38.1	31.3	26.5	32.2	28.4	-	28.4	23.8	-	-	24.3	-	98
105	36.0	30.2	26.2	30.5	27.3	25.8	26.8	22.7	-	-	22.7	21.2	105
112	34.0	29.3	26.0	28.9	26.0	24.7	25.1	21.8	-	-	21.2	20.1	112
118	32.1	28.2	25.6	27.3	24.9	23.6	23.8	20.9	-	-	20.0	19.2	118
125	30.2	27.3	25.1	25.8	23.8	22.5	22.5	20.1	19.4	-	18.7	18.1	125
131	28.7	26.2	24.5	24.7	22.9	21.6	21.3	19.4	18.5	-	17.6	17.2	131
144	25.7	24.5	23.4	22.5	20.9	19.8	19.1	17.9	17.0	-	15.5	15.7	144
158	23.1	22.7	21.8	20.5	19.4	18.1	17.2	16.3	15.7	-	13.9	14.1	158
171	20.7	20.7	20.3	18.7	17.7	16.6	15.5	15.0	14.3	-	12.6	12.8	171
184	18.7	19.0	18.7	17.0	16.2	15.2	14.0	13.7	13.2	-	11.4	11.6	184
197	17.0	17.2	17.0	15.3	14.7	14.0	12.6	12.5	12.0	-	10.3	10.6	197
210	15.2	15.4	15.5	13.7	13.2	12.8	11.3	11.2	10.9	-	9.3	9.6	210
223	13.7	13.7	-	12.2	11.7	11.6	10.1	9.9	9.8	-	8.4	8.6	223
236	12.2	12.1	-	10.7	10.4	-	9.0	8.7	8.8	-	7.5	7.7	236
249	10.9	10.8	-	9.2	9.1	-	7.6	7.6	7.9	-	6.5	6.7	249
263	9.5	-	-	7.8	7.9	-	6.4	6.6	-	-	5.2	5.5	263
276	-	-	-	6.2	7.1	-	5.1	5.7	-	-	-	-	276
289	-	-	-	4.8	-	-	-	-	-	-	-	-	289
302	-	-	-	-	-	-	-	-	-	-	-	-	302

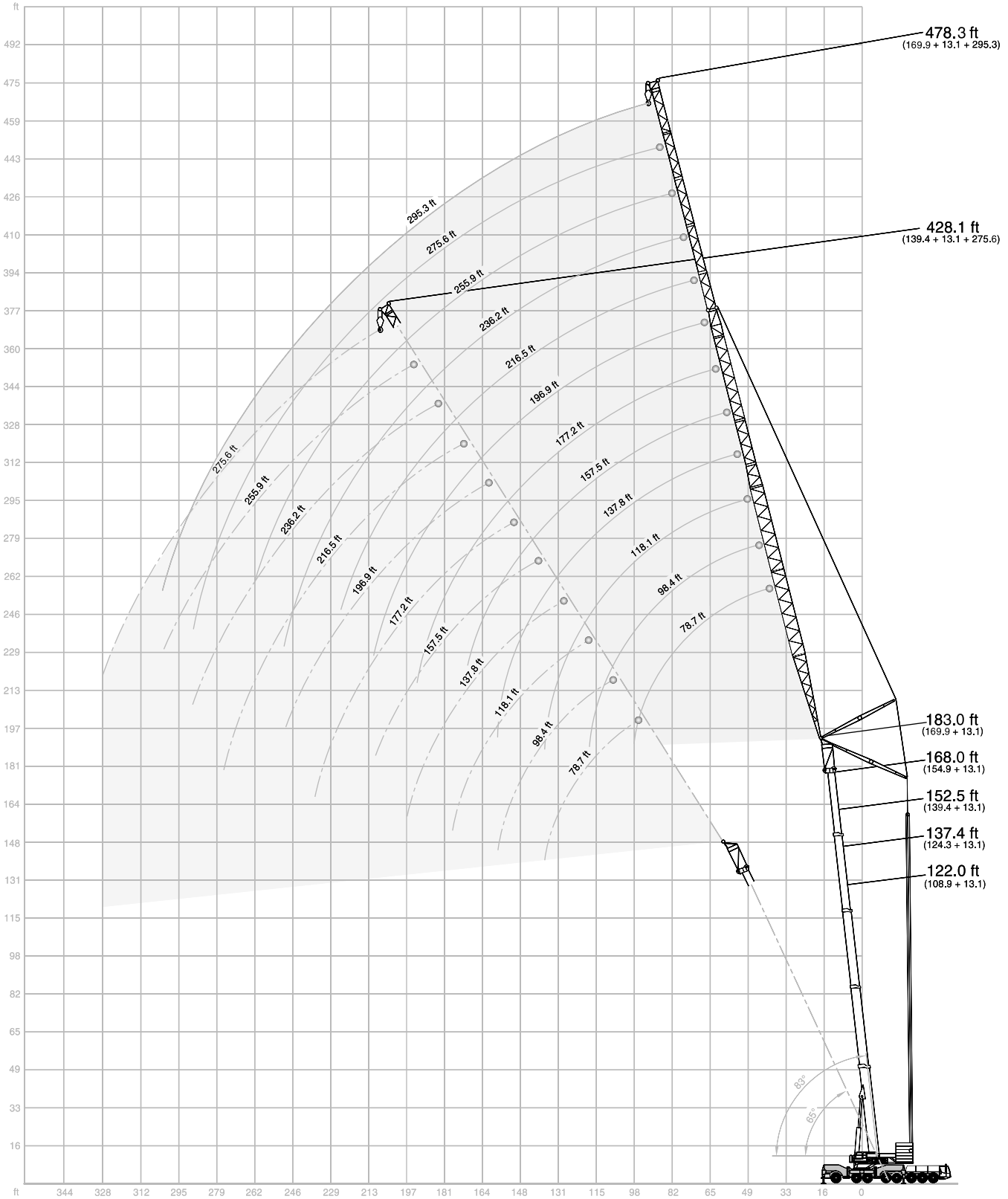
Remarks

 Counterweight 88,200 lb 132,300 lb 176,400 lb 220,500 lb 264,600 lb 308,600 lb 352,700 lb

 Max. capacities with minimum counterweight
 Further counterweight configurations on request

ALL TERRAIN CRANE AC 500-2

WORKING RANGES LUFFING FLY JIB, MAIN BOOM 83° TO 65° WITH / WITHOUT SSL



LIFTING CAPACITIES LUFFING FLY JIB, MAIN BOOM 83° TO 65°

360° **85 %**

48.2 ft + 13.1 ft Main boom + adapter

		Fly jib																		
		78.7 ft			98.4 ft			118.1 ft			137.8 ft			157.5 ft			177.2 ft			
Radius		83°	73°	65°	83°	73°	65°	83°	73°	65°	83°	73°	65°	83°	73°	65°	83°	73°	65°	Radius
ft		1,000 lb																		ft
46	257.9	-	-	224.9	-	-	-	-	-	-	-	-	-	-	-	-	-	-	-	46
53	235.9	-	-	216.1	-	-	188.5	-	-	151.5	-	-	-	-	-	-	-	-	-	53
59	213.4	-	-	206.1	-	-	185.2	-	-	151.5	-	-	119.9	-	-	-	-	-	-	59
66	191.8	-	-	190.7	-	-	181.9	-	-	151.5	-	-	119.9	-	-	108.0	-	-	-	66
72	173.7	167.1	-	172.8	165.8	-	171.1	-	-	151.5	-	-	119.9	-	-	108.0	-	-	-	72
79	158.7	152.6	-	157.6	151.5	-	155.9	149.5	-	149.3	-	-	119.9	-	-	108.0	-	-	-	79
85	119.0	140.2	135.8	144.8	139.1	-	143.3	137.1	-	141.5	-	-	119.5	-	-	108.0	-	-	-	85
92	-	129.6	125.7	134.0	128.5	124.3	132.3	126.5	-	130.5	124.8	-	114.9	-	-	108.0	-	-	-	92
98	-	-	116.8	116.8	119.3	115.5	122.8	117.5	-	121.0	115.7	-	110.2	113.3	-	106.9	-	-	-	98
105	-	-	-	-	111.3	107.6	114.4	109.3	105.6	112.7	107.6	-	105.6	108.9	-	105.2	104.5	-	-	105
112	-	-	-	-	104.3	100.8	100.1	102.3	98.8	105.4	100.5	-	101.0	101.6	-	103.4	100.1	-	-	112
118	-	-	-	-	-	94.8	83.1	96.1	92.6	98.8	94.1	90.8	95.9	95.5	-	98.5	93.7	-	-	118
125	-	-	-	-	-	-	-	90.4	87.3	90.8	88.6	85.3	91.1	89.7	86.4	92.6	88.2	-	-	125
131	-	-	-	-	-	-	-	85.5	82.2	78.7	83.6	80.5	86.0	84.7	81.4	87.3	83.1	-	-	131
138	-	-	-	-	-	-	-	-	77.8	65.9	78.9	75.8	80.9	80.0	76.9	82.5	78.5	75.4	-	138
144	-	-	-	-	-	-	-	-	-	-	74.7	71.9	74.7	75.8	73.0	78.0	74.3	71.2	-	144
151	-	-	-	-	-	-	-	-	-	-	70.8	68.1	65.5	71.9	69.2	74.1	70.3	67.5	-	151
158	-	-	-	-	-	-	-	-	-	-	-	64.6	55.3	67.9	65.5	68.6	66.8	64.2	-	158
164	-	-	-	-	-	-	-	-	-	-	-	-	-	64.6	62.2	61.1	63.3	60.8	-	164
177	-	-	-	-	-	-	-	-	-	-	-	-	-	-	56.2	45.4	57.3	54.9	-	177
190	-	-	-	-	-	-	-	-	-	-	-	-	-	-	-	-	-	50.0	-	190

		196.9 ft			216.5 ft			236.2 ft			255.9 ft			275.6 ft			295.3 ft			
ft		1,000 lb																		ft
72	92.6	-	-	-	-	-	-	-	-	-	-	-	-	-	-	-	-	-	-	72
79	92.6	-	-	74.1	-	-	62.8	-	-	-	-	-	-	-	-	-	-	-	-	79
85	92.6	-	-	73.6	-	-	62.6	-	-	52.5	-	-	-	-	-	-	-	-	-	85
92	92.6	-	-	73.2	-	-	62.4	-	-	51.8	-	-	41.7	-	-	-	-	-	-	92
98	92.6	-	-	72.5	-	-	61.9	-	-	51.4	-	-	41.2	-	-	34.2	-	-	-	98
105	91.7	-	-	72.1	-	-	61.7	-	-	50.9	-	-	40.6	-	-	33.5	-	-	-	105
112	90.8	-	-	71.7	-	-	61.5	-	-	50.5	-	-	39.9	-	-	33.1	-	-	-	112
118	89.5	84.9	-	71.0	-	-	61.1	-	-	49.8	-	-	39.2	-	-	32.4	-	-	-	118
125	88.4	84.9	-	70.1	68.3	-	60.8	-	-	49.4	-	-	38.8	-	-	31.7	-	-	-	125
131	86.6	82.2	-	69.4	67.9	-	60.2	-	-	48.7	-	-	38.1	-	-	31.3	-	-	-	131
138	81.8	77.6	-	68.8	67.5	-	59.5	61.3	-	48.1	-	-	37.5	-	-	30.6	-	-	-	138
144	77.4	73.4	-	68.1	67.2	-	59.1	60.6	47.4	49.2	-	-	36.8	-	-	30.0	-	-	-	144
151	73.4	69.7	66.8	67.2	66.8	-	58.4	60.0	46.5	48.5	-	-	36.2	37.9	-	29.5	-	-	-	151
158	69.7	66.1	63.5	65.7	64.4	61.5	58.0	59.3	45.9	47.8	-	-	35.5	37.0	-	28.9	-	-	-	158
164	66.1	62.8	60.2	63.9	61.1	58.4	57.3	58.6	45.0	47.2	-	-	34.6	36.4	-	28.2	29.5	-	-	164
177	57.1	56.7	54.2	58.2	55.1	52.7	55.6	53.6	50.9	43.4	45.6	-	33.3	34.6	-	27.1	28.2	-	-	177
190	45.0	51.6	49.4	51.6	50.0	47.8	51.6	48.5	46.3	41.9	44.3	44.5	32.0	32.8	-	26.0	27.1	-	-	190
203	-	47.2	45.0	41.9	45.4	43.4	46.3	44.1	41.9	40.1	43.0	41.7	30.6	31.3	32.4	24.9	25.8	26.9	-	203
217	-	-	41.4	30.9	41.7	39.7	38.1	40.1	38.1	38.4	39.9	37.9	29.3	30.2	31.1	24.0	24.7	25.8	-	217
230	-	-	-	-	-	36.4	29.5	36.8	35.1	35.5	36.6	34.6	28.2	29.1	29.8	23.1	23.8	24.7	-	230
243	-	-	-	-	-	-	34.0	32.2	28.9	33.5	31.7	27.1	27.1	28.0	28.7	22.0	22.9	23.8	-	243
256	-	-	-	-	-	-	-	-	-	30.9	29.1	26.2	26.2	27.1	27.6	21.2	21.8	22.7	-	256
269	-	-	-	-	-	-	-	-	-	-	26.7	20.9	20.9	26.5	26.5	20.5	21.2	21.8	-	269
282	-	-	-	-	-	-	-	-	-	-	-	-	-	24.9	24.3	19.6	20.5	21.2	-	282
295	-	-	-	-	-	-	-	-	-	-	-	-	-	-	-	-	20.1	20.5	-	295
308	-	-	-	-	-	-	-	-	-	-	-	-	-	-	-	-	-	-	19.6	308
322	-	-	-	-	-	-	-	-	-	-	-	-	-	-	-	-	-	-	-	322

Remarks

Counterweight 132,300 lb 176,400 lb 220,500 lb 264,600 lb 308,600 lb 352,700 lb 396,800 lb

Max. capacities with minimum counterweight

Further counterweight configurations on request

LIFTING CAPACITIES LUFFING FLY JIB, MAIN BOOM 83° TO 65°

☰  360° 85 %

63.3 ft + 13.1 ft Main boom + adapter

		Fly jib																		
		78.7 ft			98.4 ft			118.1 ft			137.8 ft			157.5 ft			177.2 ft			
Radius		83°	73°	65°	83°	73°	65°	83°	73°	65°	83°	73°	65°	83°	73°	65°	83°	73°	65°	Radius
ft		1,000 lb																		ft
46	244.7	-	-	-	213.4	-	-	-	-	-	-	-	-	-	-	-	-	-	-	46
53	229.3	-	-	-	203.9	-	-	172.6	-	-	-	-	-	-	-	-	-	-	-	53
59	211.6	-	-	-	194.4	-	-	171.3	-	-	139.6	-	-	-	-	-	-	-	-	59
66	189.8	-	-	-	185.0	-	-	170.0	-	-	139.6	-	-	114.6	-	-	102.5	-	-	66
72	172.0	163.4	-	-	170.9	-	-	167.3	-	-	139.6	-	-	114.6	-	-	102.1	-	-	72
79	157.2	149.0	-	-	156.1	147.7	-	154.3	-	-	139.6	-	-	114.6	-	-	101.6	-	-	79
85	143.1	136.9	-	-	143.3	135.8	-	141.8	133.8	-	134.9	-	-	114.6	-	-	101.2	-	-	85
92	-	126.5	121.3	-	132.5	125.4	-	130.7	123.5	-	129.2	-	-	112.4	-	-	100.8	-	-	92
98	-	117.7	112.7	-	123.0	116.4	111.3	121.3	114.4	-	119.7	112.7	-	108.9	-	-	100.3	-	-	98
105	-	-	105.2	-	100.5	108.5	103.8	111.3	106.7	-	111.3	104.7	-	105.6	106.0	-	99.6	-	-	105
112	-	-	-	-	101.6	97.0	-	105.8	99.6	95.0	104.1	97.9	-	102.3	99.0	-	99.2	97.4	-	112
118	-	-	-	-	95.5	91.3	-	92.2	93.5	89.1	97.7	91.7	-	97.7	92.8	-	97.4	91.3	-	118
125	-	-	-	-	-	86.0	-	71.2	88.0	83.8	91.7	86.2	81.8	93.0	87.3	-	91.5	85.8	-	125
131	-	-	-	-	-	-	-	-	83.1	79.1	86.0	81.1	77.2	87.7	82.5	-	86.2	80.7	-	131
138	-	-	-	-	-	-	-	-	78.7	74.7	73.2	76.7	72.8	82.9	77.8	73.9	81.6	76.3	-	138
144	-	-	-	-	-	-	-	-	-	71.0	57.1	72.5	69.0	78.0	73.6	69.9	77.2	72.1	68.1	144
151	-	-	-	-	-	-	-	-	-	-	-	69.0	65.3	71.7	69.9	66.4	73.2	68.3	64.6	151
158	-	-	-	-	-	-	-	-	-	-	-	65.3	61.9	61.5	66.1	62.8	69.2	64.8	61.3	158
164	-	-	-	-	-	-	-	-	-	-	-	-	58.6	-	62.8	59.5	65.7	61.5	58.2	164
177	-	-	-	-	-	-	-	-	-	-	-	-	-	-	-	54.0	50.0	55.6	52.5	177
190	-	-	-	-	-	-	-	-	-	-	-	-	-	-	-	-	-	50.5	47.8	190
203	-	-	-	-	-	-	-	-	-	-	-	-	-	-	-	-	-	-	43.7	203
217	-	-	-	-	-	-	-	-	-	-	-	-	-	-	-	-	-	-	-	217

		196.9 ft			216.5 ft			236.2 ft			255.9 ft			275.6 ft			295.3 ft			
ft		1,000 lb																		ft
72	86.6	-	-	-	-	-	-	-	-	-	-	-	-	-	-	-	-	-	-	72
79	86.4	-	-	-	69.0	-	-	-	-	-	-	-	-	-	-	-	-	-	-	79
85	86.2	-	-	-	68.6	-	-	60.8	-	-	-	-	-	-	-	-	-	-	-	85
92	85.8	-	-	-	68.1	-	-	60.6	-	-	47.8	-	-	-	-	-	-	-	-	92
98	85.5	-	-	-	67.7	-	-	60.4	-	-	47.8	-	-	39.0	-	-	-	-	-	98
105	85.1	-	-	-	67.0	-	-	60.2	-	-	47.6	-	-	38.6	-	-	31.7	-	-	105
112	84.7	-	-	-	66.6	-	-	60.0	-	-	47.4	-	-	38.1	-	-	31.3	-	-	112
118	84.0	-	-	-	66.1	-	-	59.5	-	-	47.4	-	-	37.7	-	-	30.9	-	-	118
125	83.3	80.0	-	-	65.9	-	-	59.3	-	-	47.2	-	-	37.0	-	-	30.4	-	-	125
131	82.7	80.0	-	-	65.5	65.5	-	58.9	-	-	46.7	-	-	36.6	-	-	29.8	-	-	131
138	80.9	75.4	-	-	65.0	64.8	-	58.4	60.2	-	46.5	-	-	36.2	-	-	29.3	-	-	138
144	76.5	71.4	-	-	64.6	64.2	-	57.8	59.5	-	45.9	-	-	35.5	-	-	28.9	-	-	144
151	72.5	67.7	-	-	64.2	63.7	-	57.3	59.1	-	45.4	47.0	-	35.1	-	-	28.4	-	-	151
158	68.8	64.2	60.6	-	63.3	62.4	-	56.9	58.6	-	44.8	46.3	-	34.4	35.7	-	27.8	-	-	158
164	65.3	60.8	57.5	-	62.4	59.1	-	56.4	57.3	-	44.3	45.9	-	33.7	35.1	-	27.3	28.4	-	164
177	58.9	54.9	52.0	-	57.5	53.6	50.3	55.3	51.8	-	43.2	45.0	-	32.6	34.0	-	26.5	27.3	-	177
190	48.9	49.8	47.2	-	52.0	48.3	45.6	50.7	47.0	43.9	41.7	44.1	43.2	31.5	32.8	-	25.6	26.5	-	190
203	-	45.6	43.0	-	45.2	44.1	41.4	46.1	42.5	39.7	40.1	42.3	39.5	30.4	31.5	32.8	24.5	25.4	-	203
217	-	-	39.5	-	34.4	40.3	37.7	41.0	38.8	36.2	38.4	38.6	35.7	29.3	30.4	31.5	23.6	24.3	25.4	217
230	-	-	-	-	37.0	34.6	-	32.4	35.5	33.1	36.4	35.3	32.6	28.2	29.3	30.2	22.7	23.6	24.3	230
243	-	-	-	-	-	-	32.0	-	32.6	30.2	31.5	32.2	29.8	27.1	28.2	29.1	21.8	22.7	23.4	243
256	-	-	-	-	-	-	-	-	27.6	23.4	29.8	27.1	26.5	26.5	27.3	26.9	20.9	22.0	22.5	256
269	-	-	-	-	-	-	-	-	-	-	27.3	24.9	23.4	26.5	24.5	20.3	21.2	21.8	-	269
282	-	-	-	-	-	-	-	-	-	-	-	22.7	-	24.7	22.5	19.6	20.7	21.2	-	282
295	-	-	-	-	-	-	-	-	-	-	-	-	-	-	20.5	15.9	20.3	19.6	-	295
308	-	-	-	-	-	-	-	-	-	-	-	-	-	-	-	-	19.8	18.1	-	308
322	-	-	-	-	-	-	-	-	-	-	-	-	-	-	-	-	-	-	-	322

Remarks

Counterweight 132,300 lb 176,400 lb 220,500 lb 264,600 lb 308,600 lb 352,700 lb 396,800 lb

Max. capacities with minimum counterweight

Further counterweight configurations on request



LIFTING CAPACITIES LUFFING FLY JIB, MAIN BOOM 83° TO 65°

360° **85 %**

78.7 ft + 13.1 ft Main boom + adapter

		Fly jib																		
		78.7 ft			98.4 ft			118.1 ft			137.8 ft			157.5 ft			177.2 ft			
Radius		83°	73°	65°	83°	73°	65°	83°	73°	65°	83°	73°	65°	83°	73°	65°	83°	73°	65°	Radius
ft		1,000 lb																		ft
53	217.8	-	-	192.2	-	-	159.8	-	-	-	-	-	-	-	-	-	-	-	-	53
59	203.7	-	-	183.4	-	-	158.3	-	-	130.7	-	-	-	-	-	-	-	-	-	59
66	188.3	-	-	174.6	-	-	156.7	-	-	130.7	-	-	109.8	-	-	-	-	-	-	66
72	170.4	-	-	166.0	-	-	155.2	-	-	130.7	-	-	109.8	-	-	96.8	-	-	-	72
79	155.6	145.9	-	154.5	-	-	150.1	-	-	130.7	-	-	109.8	-	-	96.3	-	-	-	79
85	143.1	134.0	-	142.0	132.9	-	140.2	-	-	129.4	-	-	109.8	-	-	95.7	-	-	-	85
92	-	123.9	-	131.2	122.6	-	129.4	120.8	-	125.2	-	-	109.6	-	-	95.2	-	-	-	92
98	-	115.1	109.1	121.9	113.8	-	120.2	112.0	-	118.4	-	-	107.1	-	-	94.6	-	-	-	98
105	-	-	101.6	113.1	106.0	100.3	112.0	104.1	-	110.2	102.3	-	104.5	-	-	94.1	-	-	-	105
112	-	-	95.2	-	99.2	93.9	104.7	97.4	-	103.0	95.5	-	102.1	96.8	-	93.7	-	-	-	112
118	-	-	-	-	93.3	88.0	98.3	91.3	86.0	96.6	89.5	-	97.9	90.6	-	93.0	87.7	-	-	118
125	-	-	-	-	-	82.9	80.2	85.8	80.9	90.8	84.0	-	92.2	85.3	-	90.6	83.6	-	-	125
131	-	-	-	-	-	78.3	-	80.9	76.3	85.5	79.1	74.3	86.9	80.2	-	85.3	78.7	-	-	131
138	-	-	-	-	-	-	-	76.7	72.1	78.9	74.7	70.1	82.2	75.8	-	80.7	74.3	-	-	138
144	-	-	-	-	-	-	-	-	68.3	64.4	70.8	66.4	77.8	71.9	67.5	76.3	70.1	-	-	144
151	-	-	-	-	-	-	-	64.6	-	67.0	62.8	58.4	73.6	68.1	63.9	72.3	66.6	62.2	-	151
158	-	-	-	-	-	-	-	-	-	63.5	59.5	55.1	66.1	64.6	60.6	68.6	63.3	58.9	-	158
164	-	-	-	-	-	-	-	-	-	-	56.4	52.0	54.5	61.3	57.3	65.0	60.0	56.0	-	164
177	-	-	-	-	-	-	-	-	-	-	-	51.8	55.3	51.8	54.0	60.0	54.0	50.5	-	177
190	-	-	-	-	-	-	-	-	-	-	-	47.2	-	-	47.2	54.0	49.2	45.9	-	190
203	-	-	-	-	-	-	-	-	-	-	-	-	-	-	-	-	-	41.9	-	203

		196.9 ft			216.5 ft			236.2 ft			255.9 ft			275.6 ft			295.3 ft			
ft		1,000 lb																		ft
79	82.0	-	-	-	-	-	-	-	-	-	-	-	-	-	-	-	-	-	-	79
85	81.4	-	-	63.9	-	-	57.3	-	-	-	-	-	-	-	-	-	-	-	-	85
92	80.9	-	-	63.5	-	-	56.9	-	-	46.3	-	-	-	-	-	-	-	-	-	92
98	80.5	-	-	63.3	-	-	56.7	-	-	46.3	-	-	36.6	-	-	-	-	-	-	98
105	80.0	-	-	62.8	-	-	56.4	-	-	46.1	-	-	36.2	-	-	31.1	-	-	-	105
112	79.6	-	-	62.4	-	-	56.2	-	-	45.9	-	-	35.9	-	-	30.6	-	-	-	112
118	79.1	-	-	61.9	-	-	56.0	-	-	45.6	-	-	35.7	-	-	30.2	-	-	-	118
125	78.7	-	-	61.5	-	-	55.8	-	-	45.4	-	-	35.5	-	-	29.8	-	-	-	125
131	78.3	75.8	-	61.3	-	-	55.3	-	-	45.2	-	-	35.3	-	-	29.3	-	-	-	131
138	77.8	73.4	-	60.8	61.5	-	55.1	-	-	45.2	-	-	35.1	-	-	28.9	-	-	-	138
144	75.6	69.4	-	60.4	60.8	-	54.9	52.9	-	44.8	-	-	34.6	-	-	28.2	-	-	-	144
151	71.7	65.7	-	60.0	60.4	-	54.5	52.5	-	44.3	-	-	34.2	-	-	27.8	-	-	-	151
158	68.1	62.4	-	59.5	60.0	-	54.2	52.2	-	43.9	44.1	-	33.7	-	-	27.3	-	-	-	158
164	64.6	59.3	55.1	59.1	57.5	-	54.0	51.8	-	43.4	43.9	-	33.1	34.4	-	26.9	-	-	-	164
177	58.2	53.6	49.8	56.9	52.0	48.1	53.4	50.0	-	42.8	43.2	-	32.2	33.5	-	26.0	-	-	-	177
190	52.9	48.5	45.2	51.6	47.0	43.4	50.0	45.4	41.7	41.7	42.8	-	31.1	32.6	-	24.9	26.2	-	-	190
203	38.4	44.3	41.2	47.0	42.8	39.5	45.6	41.2	37.7	40.1	41.0	37.3	30.2	31.5	-	24.0	25.1	-	-	203
217	-	40.8	37.7	37.3	39.0	35.9	41.7	37.5	34.2	38.6	37.3	33.7	29.1	30.6	31.7	23.1	24.3	-	-	217
230	-	-	34.8	-	35.9	33.1	35.9	34.4	31.1	37.0	34.0	30.9	28.2	29.5	30.4	22.5	23.4	24.5	-	230
243	-	-	-	-	-	30.2	-	31.5	28.4	33.7	31.1	28.0	27.1	28.7	27.6	21.8	22.7	23.6	-	243
256	-	-	-	-	-	-	-	28.9	25.8	25.8	28.4	25.4	26.5	27.6	25.1	20.9	22.0	22.7	-	256
269	-	-	-	-	-	-	-	-	23.8	-	26.0	23.1	25.4	25.8	22.9	20.3	21.4	22.0	-	269
282	-	-	-	-	-	-	-	-	-	-	-	21.2	-	23.6	20.7	19.8	20.7	19.8	-	282
295	-	-	-	-	-	-	-	-	-	-	-	-	-	21.8	19.0	17.6	20.3	18.1	-	295
308	-	-	-	-	-	-	-	-	-	-	-	-	-	-	17.4	-	19.2	16.5	-	308
322	-	-	-	-	-	-	-	-	-	-	-	-	-	-	-	-	-	15.0	-	322
335	-	-	-	-	-	-	-	-	-	-	-	-	-	-	-	-	-	-	-	335

Remarks

Counterweight 132,300 lb 176,400 lb 220,500 lb 264,600 lb 308,600 lb 352,700 lb 396,800 lb

Max. capacities with minimum counterweight

Further counterweight configurations on request

LIFTING CAPACITIES LUFFING FLY JIB, MAIN BOOM 83° TO 65°

360° 85 %

93.8 ft + 13.1 ft Main boom + adapter

Radius ft	Fly jib																		Radius ft
	78.7 ft			98.4 ft			118.1 ft			137.8 ft			157.5 ft			177.2 ft			
	83°	73°	65°	83°	73°	65°	83°	73°	65°	83°	73°	65°	83°	73°	65°	83°	73°	65°	
	1,000 lb																		
53	188.7	-	-	166.0	-	-	-	-	-	-	-	-	-	-	-	-	-	-	53
59	178.1	-	-	160.1	-	-	139.3	-	-	-	-	-	-	-	-	-	-	-	59
66	168.4	-	-	154.1	-	-	137.1	-	-	115.5	-	-	98.3	-	-	-	-	-	66
72	159.0	-	-	147.7	-	-	134.7	-	-	114.9	-	-	98.1	-	-	86.6	-	-	72
79	151.2	-	-	141.3	-	-	131.8	-	-	114.2	-	-	97.9	-	-	86.0	-	-	79
85	142.0	124.3	-	134.9	-	-	127.0	-	-	113.3	-	-	97.7	-	-	85.5	-	-	85
92	-	116.0	-	130.1	114.0	-	122.4	-	-	110.2	-	-	97.4	-	-	84.9	-	-	92
98	-	109.3	-	121.0	106.9	-	117.7	101.9	-	106.9	-	-	96.3	-	-	84.2	-	-	98
105	-	105.2	95.5	112.9	101.4	-	111.1	96.6	-	103.8	93.7	-	94.8	-	-	83.8	-	-	105
112	-	-	89.7	-	95.9	88.6	103.8	91.5	-	100.5	89.3	-	93.0	-	-	83.1	-	-	112
118	-	-	85.5	-	91.5	83.8	97.4	87.5	-	95.7	84.9	-	91.5	84.7	-	82.7	-	-	118
125	-	-	-	-	86.2	78.9	87.7	83.8	75.4	89.9	80.5	-	89.7	81.1	-	82.0	76.9	-	125
131	-	-	-	-	-	75.6	-	79.4	71.9	84.9	77.2	-	86.2	77.4	-	81.4	73.9	-	131
138	-	-	-	-	-	72.1	-	75.2	68.3	80.2	73.2	67.0	81.4	73.9	-	79.8	71.0	-	138
144	-	-	-	-	-	-	-	71.2	65.7	70.1	69.2	63.9	77.2	70.3	-	75.6	67.9	-	144
151	-	-	-	-	-	-	-	-	62.8	-	65.7	60.6	73.0	66.8	61.9	71.7	64.8	-	151
158	-	-	-	-	-	-	-	-	59.5	-	62.2	57.8	69.2	63.3	58.9	67.9	61.7	-	158
164	-	-	-	-	-	-	-	-	-	-	59.1	54.7	59.3	60.0	55.8	64.4	58.6	54.0	164
177	-	-	-	-	-	-	-	-	-	-	-	49.4	-	54.2	50.3	58.2	52.9	48.7	177
190	-	-	-	-	-	-	-	-	-	-	-	-	-	-	45.6	-	48.1	44.3	190
203	-	-	-	-	-	-	-	-	-	-	-	-	-	-	-	-	43.9	40.3	203
217	-	-	-	-	-	-	-	-	-	-	-	-	-	-	-	-	-	37.0	217
230	-	-	-	-	-	-	-	-	-	-	-	-	-	-	-	-	-	-	230

ft	1,000 lb																		ft
	196.9 ft			216.5 ft			236.2 ft			255.9 ft			275.6 ft			295.3 ft			
	83°	73°	65°	83°	73°	65°	83°	73°	65°	83°	73°	65°	83°	73°	65°	83°	73°	65°	
79	75.4	-	-	-	-	-	-	-	-	-	-	-	-	-	-	-	-	-	79
85	74.7	-	-	58.6	-	-	-	-	-	-	-	-	-	-	-	-	-	-	85
92	74.3	-	-	58.4	-	-	51.6	-	-	-	-	-	-	-	-	-	-	-	92
98	73.9	-	-	58.2	-	-	51.4	-	-	41.7	-	-	-	-	-	-	-	-	98
105	73.2	-	-	58.0	-	-	51.1	-	-	41.7	-	-	34.2	-	-	28.0	-	-	105
112	72.8	-	-	57.8	-	-	50.9	-	-	41.4	-	-	34.0	-	-	27.8	-	-	112
118	72.1	-	-	57.5	-	-	50.7	-	-	41.4	-	-	33.7	-	-	27.6	-	-	118
125	71.7	-	-	57.1	-	-	50.5	-	-	41.4	-	-	33.3	-	-	27.3	-	-	125
131	71.0	-	-	56.9	-	-	50.0	-	-	41.2	-	-	33.1	-	-	27.1	-	-	131
138	70.5	66.6	-	56.7	-	-	49.8	-	-	41.2	-	-	32.8	-	-	26.9	-	-	138
144	69.9	64.4	-	56.4	54.0	-	49.6	-	-	41.0	-	-	32.6	-	-	26.7	-	-	144
151	69.2	62.4	-	56.2	53.1	-	49.4	49.2	-	40.8	-	-	32.2	-	-	26.5	-	-	151
158	67.5	60.2	-	56.0	52.2	-	49.2	48.3	-	40.6	-	-	32.0	-	-	26.2	-	-	158
164	63.9	58.0	-	55.8	51.1	-	48.9	47.4	-	40.3	40.6	-	31.7	-	-	25.8	-	-	164
177	57.8	52.2	48.1	55.3	49.4	-	48.3	45.4	-	39.7	40.1	-	31.1	32.0	-	25.1	-	-	177
190	52.5	47.4	43.7	50.9	45.9	41.9	48.1	43.7	-	39.2	39.5	-	30.6	31.5	-	24.5	25.6	-	190
203	41.7	43.2	39.7	46.5	41.7	37.9	45.2	40.1	35.9	38.4	39.0	-	30.0	31.1	-	23.8	24.7	-	203
217	-	39.7	36.4	40.8	38.1	34.6	41.2	36.6	32.6	37.5	36.2	32.2	29.1	30.4	-	23.1	23.8	-	217
230	-	-	33.3	-	34.8	31.3	37.7	33.3	29.5	36.6	33.1	29.1	28.0	29.8	28.9	22.5	23.1	-	230
243	-	-	-	-	32.2	28.7	27.6	30.4	26.9	34.4	30.0	26.5	27.1	28.7	26.0	21.8	22.5	23.8	243
256	-	-	-	-	-	26.2	-	28.0	24.5	27.6	27.3	24.0	26.5	27.1	23.6	21.2	21.8	22.7	256
269	-	-	-	-	-	-	-	22.3	-	-	25.1	21.8	25.8	24.9	21.4	20.5	21.4	20.5	269
282	-	-	-	-	-	-	-	-	-	-	22.9	19.8	19.2	22.7	19.4	19.8	20.7	18.5	282
295	-	-	-	-	-	-	-	-	-	-	-	18.1	-	20.7	17.6	19.2	20.1	16.8	295
308	-	-	-	-	-	-	-	-	-	-	-	-	-	-	16.1	-	18.3	15.2	308
322	-	-	-	-	-	-	-	-	-	-	-	-	-	-	-	-	16.8	13.9	322
335	-	-	-	-	-	-	-	-	-	-	-	-	-	-	-	-	-	12.6	335

Remarks

Counterweight 132,300 lb 176,400 lb 220,500 lb 264,600 lb 308,600 lb 352,700 lb 396,800 lb

Max. capacities with minimum counterweight

Further counterweight configurations on request



LIFTING CAPACITIES LUFFING FLY JIB, MAIN BOOM 83° TO 65°

360° **85 %**

108.9 ft + 13.1 ft Main boom + adapter

		Fly jib																		
		78.7 ft			98.4 ft			118.1 ft			137.8 ft			157.5 ft			177.2 ft			
Radius		83°	73°	65°	83°	73°	65°	83°	73°	65°	83°	73°	65°	83°	73°	65°	83°	73°	65°	Radius
ft		1,000 lb																		ft
59	160.5	-	-	144.2	-	-	128.8	-	-	-	-	-	-	-	-	-	-	-	-	59
66	151.2	-	-	138.2	-	-	124.8	-	-	105.4	-	-	-	-	-	-	-	-	-	66
72	141.8	-	-	132.3	-	-	121.0	-	-	103.8	-	-	90.2	-	-	-	-	-	-	72
79	134.5	-	-	126.3	-	-	117.1	-	-	102.3	-	-	89.5	-	-	76.9	-	-	-	79
85	129.2	-	-	120.6	-	-	112.7	-	-	100.8	-	-	88.8	-	-	76.1	-	-	-	85
92	125.0	103.8	-	115.7	100.1	-	108.0	-	-	98.5	-	-	88.2	-	-	75.4	-	-	-	92
98	-	97.4	-	111.8	94.6	-	103.6	-	-	95.5	-	-	87.3	-	-	74.7	-	-	-	98
105	-	92.6	-	108.9	89.3	-	100.3	85.1	-	92.2	-	-	85.8	-	-	73.9	-	-	-	105
112	-	87.7	-	100.8	84.2	-	97.2	81.1	-	89.1	77.2	-	84.2	-	-	73.0	-	-	-	112
118	-	-	74.1	-	80.5	-	94.6	77.2	-	86.4	73.9	-	82.7	-	-	71.9	-	-	-	118
125	-	-	69.9	-	76.7	68.8	91.1	73.4	-	84.0	70.3	-	81.1	70.5	-	70.8	-	-	-	125
131	-	-	-	-	75.0	65.5	71.2	70.5	62.6	81.6	67.2	-	79.4	67.7	-	69.9	64.6	-	-	131
138	-	-	-	-	-	61.9	-	67.9	59.7	79.4	63.9	-	77.6	64.6	-	68.8	62.2	-	-	138
144	-	-	-	-	-	60.0	-	66.6	57.1	75.4	61.7	55.3	75.6	61.9	-	67.7	59.7	-	-	144
151	-	-	-	-	-	-	-	65.0	54.7	57.5	59.3	52.7	72.5	59.3	-	66.6	57.1	-	-	151
158	-	-	-	-	-	-	-	-	52.9	-	57.8	50.5	68.8	57.3	50.5	65.3	54.9	-	-	158
164	-	-	-	-	-	-	-	-	51.1	-	56.2	48.3	63.5	55.6	48.3	63.9	52.5	-	-	164
177	-	-	-	-	-	-	-	-	-	-	-	44.8	-	52.0	44.5	57.8	49.4	42.8	-	177
190	-	-	-	-	-	-	-	-	-	-	-	-	-	48.5	41.2	40.3	46.1	39.5	-	190
203	-	-	-	-	-	-	-	-	-	-	-	-	-	-	39.7	-	43.0	36.6	-	203
217	-	-	-	-	-	-	-	-	-	-	-	-	-	-	-	-	-	34.8	-	217

		196.9 ft			216.5 ft			236.2 ft			255.9 ft			275.6 ft			295.3 ft			
ft		1,000 lb																		ft
85	68.3	-	-	-	-	-	-	-	-	-	-	-	-	-	-	-	-	-	-	85
92	67.7	-	-	53.8	-	-	45.6	-	-	-	-	-	-	-	-	-	-	-	-	92
98	67.0	-	-	53.6	-	-	45.4	-	-	38.4	-	-	-	-	-	-	-	-	-	98
105	66.4	-	-	53.4	-	-	45.2	-	-	38.1	-	-	31.1	-	-	-	-	-	-	105
112	65.7	-	-	53.1	-	-	45.0	-	-	38.1	-	-	30.9	-	-	24.7	-	-	-	112
118	65.0	-	-	52.9	-	-	45.0	-	-	37.9	-	-	30.9	-	-	24.5	-	-	-	118
125	64.4	-	-	52.7	-	-	44.8	-	-	37.9	-	-	30.6	-	-	24.5	-	-	-	125
131	63.9	-	-	52.2	-	-	44.5	-	-	37.7	-	-	30.6	-	-	24.3	-	-	-	131
138	63.3	-	-	51.8	-	-	44.3	-	-	37.5	-	-	30.4	-	-	24.0	-	-	-	138
144	62.6	57.5	-	51.6	-	-	44.3	-	-	37.5	-	-	30.4	-	-	24.0	-	-	-	144
151	61.9	55.6	-	51.1	47.8	-	44.1	-	-	37.3	-	-	30.2	-	-	23.8	-	-	-	151
158	61.1	53.4	-	50.7	46.7	-	44.1	42.5	-	37.3	-	-	30.0	-	-	23.6	-	-	-	158
164	60.0	51.4	-	50.3	45.4	-	43.9	41.4	-	37.3	-	-	30.0	-	-	23.6	-	-	-	164
177	57.3	47.4	-	49.6	43.0	-	43.7	39.5	-	37.0	34.6	-	29.8	29.5	-	23.1	-	-	-	177
190	52.0	44.5	38.8	48.7	40.6	36.8	43.2	37.5	-	36.8	33.7	-	29.5	29.3	-	22.9	23.4	-	-	190
203	44.8	41.9	35.7	46.1	38.1	33.7	42.5	35.5	32.2	36.4	32.8	-	29.3	29.3	-	22.7	23.1	-	-	203
217	-	38.8	33.3	42.1	35.9	31.1	40.8	33.5	29.5	35.9	31.7	28.7	28.7	29.1	-	22.5	22.9	-	-	217
230	-	35.9	31.5	27.8	34.2	28.9	37.3	31.5	27.1	35.5	30.2	26.2	28.0	28.9	25.8	21.8	22.7	-	-	230
243	-	-	29.5	-	31.3	27.1	30.0	29.5	25.1	34.2	28.4	24.0	27.3	27.3	23.8	21.4	22.3	22.7	-	243
256	-	-	-	-	-	25.1	-	27.1	23.1	29.3	26.7	22.5	26.7	25.8	21.8	20.9	21.8	20.9	-	256
269	-	-	-	-	-	-	-	24.9	21.2	18.1	24.3	20.7	26.0	24.0	20.3	20.3	21.2	19.4	-	269
282	-	-	-	-	-	-	-	-	19.4	-	22.3	18.7	20.9	21.8	18.3	19.8	20.7	17.4	-	282
295	-	-	-	-	-	-	-	-	-	-	-	17.0	-	20.1	16.8	19.4	19.2	15.7	-	295
308	-	-	-	-	-	-	-	-	-	-	-	-	-	18.5	15.2	-	17.4	14.1	-	308
322	-	-	-	-	-	-	-	-	-	-	-	-	-	-	13.7	-	16.1	12.8	-	322
335	-	-	-	-	-	-	-	-	-	-	-	-	-	-	-	-	-	11.5	-	335
348	-	-	-	-	-	-	-	-	-	-	-	-	-	-	-	-	-	-	-	348

Remarks

Counterweight 132,300 lb 176,400 lb 220,500 lb 264,600 lb 308,600 lb 352,700 lb 396,800 lb

Max. capacities with minimum counterweight

Further counterweight configurations on request

LIFTING CAPACITIES LUFFING FLY JIB WITH SSL, MAIN BOOM 83°-65°

360° 85 %

108.9 ft + 13.1 ft Main boom + adapter

Radius	Fly jib						Radius						
	98.4 ft		118.1 ft		137.8 ft			157.5 ft		177.2 ft			
	83°	73°	65°	83°	73°	65°	83°	73°	65°	83°	73°	65°	
ft	1,000 lb												ft
53	198.4	-	-	-	-	-	-	-	-	-	-	-	53
59	195.6	-	-	170.0	-	-	-	-	-	-	-	-	59
66	181.9	-	-	179.2	-	-	143.5	-	-	-	-	-	66
72	164.5	-	-	162.7	-	-	161.2	-	-	136.2	-	-	72
79	150.1	-	-	148.4	-	-	146.6	-	-	131.2	-	-	79
85	137.8	-	-	136.0	-	-	134.5	-	-	126.1	-	-	85
92	127.2	113.8	-	125.4	-	-	123.9	-	-	121.0	-	-	92
98	118.2	105.6	-	116.4	-	-	114.6	-	-	116.0	-	-	98
105	110.2	98.3	-	108.5	96.3	-	106.7	-	-	108.2	-	-	105
112	99.4	91.9	-	101.4	89.9	-	99.6	88.0	-	101.2	-	-	112
118	-	86.2	78.0	95.0	84.2	-	93.3	82.2	-	94.8	-	-	118
125	-	81.1	73.4	89.5	79.1	-	87.7	77.2	-	89.1	78.5	-	125
131	-	76.7	69.2	70.1	74.5	67.0	82.7	72.8	-	84.0	73.9	-	131
138	-	-	65.5	-	70.3	63.3	78.0	68.6	-	79.4	69.7	-	138
144	-	-	61.9	-	66.8	59.7	74.1	64.8	57.8	75.2	65.9	-	144
151	-	-	-	-	63.5	56.7	56.4	61.3	54.7	71.4	62.6	-	151
158	-	-	-	-	-	53.8	-	58.2	51.8	67.9	59.5	52.9	158
164	-	-	-	-	-	51.4	-	55.3	49.2	62.8	56.4	50.3	164
177	-	-	-	-	-	-	-	-	44.5	-	51.4	45.6	177
190	-	-	-	-	-	-	-	-	-	-	47.2	41.7	190
203	-	-	-	-	-	-	-	-	-	-	-	38.1	203
217	-	-	-	-	-	-	-	-	-	-	-	-	217
230	-	-	-	-	-	-	-	-	-	-	-	-	230

ft	1,000 lb												ft
	196.9 ft		216.5 ft		236.2 ft		255.9 ft		275.6 ft		295.3 ft		
	83°	73°	65°	83°	73°	65°	83°	73°	65°	83°	73°	65°	
85	91.1	-	-	68.8	-	-	-	-	-	-	-	-	85
92	89.1	-	-	73.9	-	-	56.7	-	-	-	-	-	92
98	87.3	-	-	71.9	-	-	61.3	-	-	48.7	-	-	98
105	85.5	-	-	69.9	-	-	60.4	-	-	48.1	-	39.2	105
112	83.6	-	-	68.1	-	-	59.7	-	-	47.4	-	38.6	112
118	81.8	-	-	66.1	-	-	58.9	-	-	46.5	-	38.1	118
125	79.8	-	-	64.2	-	-	58.2	-	-	45.9	-	37.5	125
131	78.0	-	-	62.6	-	-	57.3	-	-	45.2	-	37.0	131
138	76.3	67.2	-	61.3	-	-	56.4	-	-	44.5	-	36.4	138
144	73.0	63.5	-	60.0	-	-	55.3	-	-	43.9	-	35.9	144
151	69.2	60.0	-	58.6	56.2	-	54.5	-	-	43.0	-	35.3	151
158	65.7	56.9	-	57.1	55.1	-	53.4	45.0	-	42.1	-	34.6	158
164	62.4	54.0	-	55.8	52.2	-	52.2	44.5	-	41.0	35.9	33.7	164
177	56.7	48.9	43.0	54.0	47.0	-	50.0	43.7	-	39.2	35.5	32.0	177
190	51.8	44.5	38.8	50.0	42.5	37.0	48.3	40.8	-	37.7	34.8	30.6	190
203	44.1	40.8	35.5	45.9	38.8	33.5	44.1	36.8	31.5	37.0	34.4	29.3	203
217	-	37.5	32.4	41.9	35.5	30.4	40.3	33.5	28.4	36.4	33.3	28.0	217
230	-	34.6	29.8	27.1	32.6	27.8	37.0	30.6	25.8	35.7	30.2	25.4	230
243	-	-	27.6	-	30.0	25.4	29.1	28.0	23.4	33.7	27.6	22.9	243
256	-	-	-	-	-	23.4	-	25.8	21.4	29.3	25.1	20.7	256
269	-	-	-	-	-	-	-	23.8	19.4	-	23.1	19.0	269
282	-	-	-	-	-	-	-	-	17.6	-	21.2	17.2	282
295	-	-	-	-	-	-	-	-	-	-	20.9	17.2	295
308	-	-	-	-	-	-	-	-	-	-	-	15.7	308
322	-	-	-	-	-	-	-	-	-	-	-	-	322
335	-	-	-	-	-	-	-	-	-	-	-	-	335
348	-	-	-	-	-	-	-	-	-	-	-	-	348

Remarks

Counterweight 176,400 lb 220,500 lb 264,600 lb 308,600 lb 352,700 lb 396,800 lb

Max. capacities with minimum counterweight

Further counterweight configurations on request

LIFTING CAPACITIES LUFFING FLY JIB, MAIN BOOM 83° TO 65°

360° **85 %**

124.3 ft + 13.1 ft Main boom + adapter

		Fly jib																		
		78.7 ft			98.4 ft			118.1 ft			137.8 ft			157.5 ft			177.2 ft			
Radius		83°	73°	65°	83°	73°	65°	83°	73°	65°	83°	73°	65°	83°	73°	65°	83°	73°	65°	Radius
ft		1,000 lb																		ft
59	140.7	-	-	125.7	-	-	-	-	-	-	-	-	-	-	-	-	-	-	-	59
66	132.5	-	-	120.6	-	-	107.1	-	-	-	-	-	-	-	-	-	-	-	-	66
72	125.0	-	-	115.3	-	-	103.8	-	-	89.9	-	-	-	77.6	-	-	-	-	-	72
79	117.7	-	-	110.5	-	-	100.5	-	-	88.0	-	-	-	76.3	-	-	-	-	66.6	79
85	112.9	-	-	105.6	-	-	97.0	-	-	85.8	-	-	-	75.0	-	-	-	-	65.9	85
92	108.2	-	-	100.8	-	-	93.5	-	-	83.6	-	-	-	73.6	-	-	-	-	65.3	92
98	-	86.6	-	97.4	84.9	-	89.9	-	-	81.1	-	-	-	72.3	-	-	-	-	64.4	98
105	-	81.6	-	94.6	79.8	-	86.9	-	-	78.5	-	-	-	71.0	-	-	-	-	63.7	105
112	-	76.5	-	91.5	75.0	-	84.0	71.4	-	76.1	-	-	-	69.7	-	-	-	-	62.8	112
118	-	73.4	-	-	71.0	-	81.6	67.7	-	73.9	65.5	-	-	68.1	-	-	-	-	61.7	118
125	-	-	61.7	-	67.2	-	79.1	63.9	-	71.7	62.4	-	-	66.8	-	-	-	-	60.8	125
131	-	-	58.6	-	64.8	57.3	77.4	61.3	-	69.7	59.3	-	-	65.5	60.0	-	-	-	59.7	131
138	-	-	-	-	62.2	54.0	-	58.4	-	67.7	56.2	-	-	64.2	57.3	-	-	-	58.6	138
144	-	-	-	-	-	51.6	-	56.2	48.3	66.1	53.8	-	-	63.1	54.7	-	-	-	57.8	144
151	-	-	-	-	-	48.9	-	54.2	45.6	64.8	51.4	44.8	-	61.9	52.0	-	-	-	56.7	151
158	-	-	-	-	-	-	-	53.4	43.7	-	49.2	42.3	-	61.1	50.0	-	-	-	55.6	158
164	-	-	-	-	-	-	-	-	41.9	-	47.2	40.1	-	60.2	48.1	41.9	-	-	54.7	164
177	-	-	-	-	-	-	-	-	-	-	45.4	36.8	-	-	44.5	37.9	-	-	52.7	177
190	-	-	-	-	-	-	-	-	-	-	-	34.4	-	-	42.5	35.1	-	-	45.4	190
203	-	-	-	-	-	-	-	-	-	-	-	-	-	-	-	32.6	-	-	37.0	203
217	-	-	-	-	-	-	-	-	-	-	-	-	-	-	-	-	-	-	35.9	217
230	-	-	-	-	-	-	-	-	-	-	-	-	-	-	-	-	-	-	26.9	230
243	-	-	-	-	-	-	-	-	-	-	-	-	-	-	-	-	-	-	-	243

		196.9 ft			216.5 ft			236.2 ft			255.9 ft			275.6 ft			295.3 ft			
ft		1,000 lb																		ft
85	59.3	-	-	-	-	-	-	-	-	-	-	-	-	-	-	-	-	-	-	85
92	58.6	-	-	46.1	-	-	-	-	-	-	-	-	-	-	-	-	-	-	-	92
98	57.8	-	-	45.9	-	-	40.8	-	-	-	-	-	-	-	-	-	-	-	-	98
105	57.1	-	-	45.6	-	-	40.3	-	-	33.1	-	-	-	-	-	-	-	-	-	105
112	56.2	-	-	45.2	-	-	40.1	-	-	33.1	-	-	26.9	-	-	-	21.8	-	-	112
118	55.6	-	-	45.0	-	-	39.9	-	-	33.1	-	-	26.9	-	-	-	21.8	-	-	118
125	54.7	-	-	44.5	-	-	39.7	-	-	32.8	-	-	26.9	-	-	-	21.6	-	-	125
131	54.0	-	-	44.3	-	-	39.2	-	-	32.8	-	-	26.7	-	-	-	21.4	-	-	131
138	53.1	-	-	44.1	-	-	39.0	-	-	32.8	-	-	26.7	-	-	-	21.4	-	-	138
144	52.5	-	-	43.7	-	-	38.8	-	-	32.6	-	-	26.7	-	-	-	21.2	-	-	144
151	51.6	47.8	-	43.4	-	-	38.6	-	-	32.6	-	-	26.5	-	-	-	21.2	-	-	151
158	50.9	46.1	-	43.2	40.8	-	38.1	-	-	32.6	-	-	26.5	-	-	-	20.9	-	-	158
164	50.0	44.3	-	42.8	39.5	-	37.9	34.8	-	32.4	-	-	26.5	-	-	-	20.9	-	-	164
177	48.7	40.6	-	42.1	37.3	-	37.5	33.3	-	32.4	30.2	-	26.2	-	-	-	20.7	-	-	177
190	47.2	37.7	33.5	41.7	35.1	-	36.8	31.7	-	32.2	29.1	-	26.0	24.7	-	-	20.3	-	-	190
203	46.3	35.1	30.2	41.0	32.6	28.7	36.4	30.4	-	32.0	28.0	-	25.8	24.5	-	-	20.1	19.4	-	203
217	-	32.6	27.8	40.3	30.4	25.8	35.7	28.4	24.7	32.0	26.9	-	25.8	24.3	-	-	19.8	19.2	-	217
230	-	31.7	25.6	31.7	28.0	23.6	35.3	26.5	22.3	31.7	25.4	21.8	25.6	24.0	-	-	19.6	18.7	-	230
243	-	-	24.3	-	27.1	21.6	32.0	24.3	20.1	31.7	23.6	19.6	25.4	22.9	19.6	-	19.4	18.5	-	243
256	-	-	-	-	26.2	20.3	-	23.1	18.3	30.9	21.8	17.6	25.1	21.4	17.6	-	19.2	17.9	14.6	256
269	-	-	-	-	-	19.4	-	22.5	17.0	20.9	20.5	16.1	25.1	19.8	15.7	-	19.0	17.0	13.4	269
282	-	-	-	-	-	-	-	-	16.1	-	19.8	14.6	22.7	18.3	14.3	-	18.7	16.1	12.3	282
295	-	-	-	-	-	-	-	-	-	-	19.2	13.9	-	17.6	13.0	-	18.5	15.2	11.2	295
308	-	-	-	-	-	-	-	-	-	-	-	13.0	-	17.2	12.1	-	14.1	14.8	10.4	308
322	-	-	-	-	-	-	-	-	-	-	-	-	-	-	11.5	-	-	14.6	9.7	322
335	-	-	-	-	-	-	-	-	-	-	-	-	-	-	-	-	-	13.4	9.3	335
348	-	-	-	-	-	-	-	-	-	-	-	-	-	-	-	-	-	-	8.8	348

Remarks

Counterweight 132,300 lb 176,400 lb 220,500 lb 264,600 lb 308,600 lb 352,700 lb 396,800 lb

Max. capacities with minimum counterweight

Further counterweight configurations on request

LIFTING CAPACITIES LUFFING FLY JIB WITH SSL, MAIN BOOM 83°-65°

☰  360° 85 %

124.3 ft + 13.1 ft Main boom + adapter

Radius	Fly jib						Radius									
	98.4 ft		118.1 ft			137.8 ft			157.5 ft			177.2 ft				
ft	83°	73°	65°	83°	73°	65°	83°	73°	65°	83°	73°	65°	83°	73°	65°	ft
1,000 lb																
59	181.7	-	-	-	-	-	-	-	-	-	-	-	-	-	-	59
66	170.6	-	-	166.9	-	-	-	-	-	-	-	-	-	-	-	66
72	160.5	-	-	157.2	-	-	150.4	-	-	-	-	-	-	-	-	72
79	148.8	-	-	147.0	-	-	142.4	-	-	130.5	-	-	95.9	-	-	79
85	136.7	-	-	134.9	-	-	133.4	-	-	125.9	-	-	108.2	-	-	85
92	126.1	-	-	124.6	-	-	122.8	-	-	121.3	-	-	106.7	-	-	92
98	117.1	103.4	-	115.3	-	-	113.8	-	-	115.3	-	-	104.9	-	-	98
105	109.1	96.1	-	107.4	-	-	105.8	-	-	107.4	-	-	103.4	-	-	105
112	102.3	89.9	-	100.3	88.0	-	98.8	-	-	100.3	-	-	98.5	-	-	112
118	-	84.2	-	94.1	82.2	-	92.4	80.5	-	93.9	-	-	92.4	-	-	118
125	-	79.4	-	88.6	77.4	-	86.9	75.4	-	88.4	-	-	86.6	-	-	125
131	-	74.7	66.8	79.4	72.8	-	81.8	71.0	-	83.3	72.1	-	81.6	-	-	131
138	-	71.0	63.1	-	68.8	60.8	77.4	66.8	-	78.7	68.1	-	77.2	66.4	-	138
144	-	-	59.7	-	65.0	57.5	73.2	63.1	-	74.5	64.4	-	73.0	62.6	-	144
151	-	-	56.7	-	61.7	54.5	64.4	59.7	52.5	70.8	61.1	-	69.2	59.3	-	151
158	-	-	-	-	58.9	51.8	-	56.7	49.8	67.2	58.0	-	65.7	56.2	-	158
164	-	-	-	-	-	49.2	-	54.0	47.2	64.2	55.1	48.3	62.6	53.4	-	164
177	-	-	-	-	-	-	-	49.2	42.8	-	50.0	43.7	56.9	48.3	41.9	177
190	-	-	-	-	-	-	-	-	38.8	-	45.9	39.9	44.8	44.1	37.9	190
203	-	-	-	-	-	-	-	-	-	-	-	36.6	-	40.3	34.6	203
217	-	-	-	-	-	-	-	-	-	-	-	-	-	37.3	31.7	217
230	-	-	-	-	-	-	-	-	-	-	-	-	-	-	29.1	230
243	-	-	-	-	-	-	-	-	-	-	-	-	-	-	-	243

ft	Fly jib															ft			
	196.9 ft			216.5 ft			236.2 ft			255.9 ft			275.6 ft				295.3 ft		
ft	83°	73°	65°	83°	73°	65°	83°	73°	65°	83°	73°	65°	83°	73°	65°	83°	73°	65°	ft
1,000 lb																			
85	85.5	-	-	-	-	-	-	-	-	-	-	-	-	-	-	-	-	-	85
92	84.2	-	-	70.3	-	-	-	-	-	-	-	-	-	-	-	-	-	-	92
98	82.7	-	-	69.0	-	-	57.5	-	-	-	-	-	-	-	-	-	-	-	98
105	81.4	-	-	67.5	-	-	57.3	-	-	46.5	-	-	34.6	-	-	-	-	-	105
112	79.8	-	-	66.1	-	-	56.9	-	-	45.9	-	-	37.0	-	-	26.9	-	-	112
118	78.5	-	-	64.8	-	-	56.7	-	-	45.4	-	-	36.6	-	-	30.0	-	-	118
125	76.9	-	-	63.3	-	-	56.2	-	-	45.0	-	-	36.4	-	-	29.5	-	-	125
131	75.6	-	-	61.9	-	-	55.8	-	-	44.3	-	-	35.9	-	-	29.3	-	-	131
138	74.1	-	-	60.6	-	-	55.6	-	-	43.9	-	-	35.5	-	-	28.9	-	-	138
144	72.3	61.7	-	59.3	-	-	54.7	-	-	43.2	-	-	35.1	-	-	28.7	-	-	144
151	68.3	58.4	-	58.0	-	-	53.6	-	-	42.5	-	-	34.8	-	-	28.2	-	-	151
158	65.0	55.3	-	56.9	49.8	-	52.7	-	-	41.7	-	-	34.2	-	-	27.8	-	-	158
164	61.7	52.5	-	55.6	49.2	-	51.6	40.1	-	40.8	-	-	33.5	-	-	27.6	-	-	164
177	56.2	47.4	-	53.6	45.6	-	49.6	39.5	-	39.0	33.1	-	32.0	-	-	26.2	-	-	177
190	51.4	43.2	37.0	49.4	41.2	-	47.6	38.8	-	37.3	32.8	-	30.4	28.2	-	24.9	22.3	-	190
203	47.2	39.5	33.7	45.2	37.5	31.7	43.4	35.7	-	35.9	32.6	-	28.9	27.6	-	23.8	21.8	-	203
217	-	36.2	30.9	41.4	34.4	28.9	39.7	32.4	26.7	34.8	32.0	-	27.8	26.9	-	22.5	21.2	-	217
230	-	33.5	28.2	30.9	31.3	26.2	36.4	29.5	24.3	33.7	29.1	23.8	26.7	26.2	-	21.6	20.7	-	230
243	-	-	25.8	-	28.9	23.8	32.0	26.9	21.8	33.1	26.5	21.4	25.8	25.6	20.9	20.7	20.3	17.0	243
256	-	-	-	-	26.7	21.8	-	24.7	19.8	30.6	24.3	19.4	25.1	23.8	19.0	19.8	19.6	16.8	256
269	-	-	-	-	-	20.1	-	22.7	17.9	20.9	22.0	17.4	24.7	21.8	17.0	19.2	19.2	16.1	269
282	-	-	-	-	-	-	-	-	16.3	-	20.3	15.9	22.7	19.8	15.4	18.7	18.5	14.3	282
295	-	-	-	-	-	-	-	-	-	-	18.5	14.3	-	18.3	13.9	18.5	17.2	12.8	295
308	-	-	-	-	-	-	-	-	-	-	-	12.8	-	16.8	12.3	14.1	15.7	11.5	308
322	-	-	-	-	-	-	-	-	-	-	-	-	-	-	11.2	-	14.3	10.1	322
335	-	-	-	-	-	-	-	-	-	-	-	-	-	-	-	-	-	9.0	335
348	-	-	-	-	-	-	-	-	-	-	-	-	-	-	-	-	-	7.9	348

Remarks

Counterweight 176,400 lb 220,500 lb 264,600 lb 308,600 lb 352,700 lb 396,800 lb

Max. capacities with minimum counterweight

Further counterweight configurations on request

LIFTING CAPACITIES LUFFING FLY JIB, MAIN BOOM 83° TO 65°

☰ 360° 85 %

139.4 ft + 13.1 ft Main boom + adapter

		Fly jib																				
		78.7 ft			98.4 ft			118.1 ft			137.8 ft			157.5 ft			177.2 ft					
Radius		83°	73°	65°	83°	73°	65°	83°	73°	65°	83°	73°	65°	83°	73°	65°	83°	73°	65°	Radius		
ft		1,000 lb																		ft		
59		-	-	-	101.2	-	-	-	-	-	-	-	-	-	-	-	-	-	-	-	59	
66	109.1	-	-	-	97.2	-	-	88.0	-	-	-	-	-	-	-	-	-	-	-	-	66	
72	103.2	-	-	-	93.5	-	-	84.7	-	-	73.9	-	-	-	-	-	-	-	-	-	72	
79	97.7	-	-	-	89.5	-	-	81.6	-	-	71.7	-	-	64.2	-	-	-	-	-	-	79	
85	92.8	-	-	-	85.8	-	-	78.3	-	-	69.4	-	-	62.8	-	-	55.6	-	-	-	85	
92	88.8	-	-	-	82.0	-	-	75.8	-	-	67.0	-	-	61.3	-	-	54.2	-	-	-	92	
98	-	-	-	-	78.9	-	-	73.2	-	-	65.0	-	-	60.0	-	-	53.1	-	-	-	98	
105	-	67.5	-	-	76.5	65.7	-	71.0	-	-	63.3	-	-	58.6	-	-	52.0	-	-	-	105	
112	-	63.1	-	-	73.9	61.7	-	68.6	-	-	61.3	-	-	57.3	-	-	50.9	-	-	-	112	
118	-	60.2	-	-	-	58.4	-	66.8	55.6	-	59.7	-	-	56.2	-	-	49.8	-	-	-	118	
125	-	-	-	-	-	54.9	-	64.8	52.7	-	58.0	49.4	-	54.9	-	-	48.7	-	-	-	125	
131	-	-	-	-	-	52.2	-	63.5	50.0	-	56.7	47.0	-	53.8	-	-	47.8	-	-	-	131	
138	-	-	-	-	-	49.8	44.3	-	47.4	-	-	55.3	44.5	-	52.7	45.6	-	46.7	-	-	-	138
144	-	-	-	-	-	-	41.9	-	45.4	-	-	54.2	42.3	-	51.8	43.4	-	45.9	41.7	-	-	144
151	-	-	-	-	-	-	39.7	-	43.7	37.7	-	53.4	40.1	-	50.9	41.4	-	45.0	39.7	-	-	151
158	-	-	-	-	-	-	38.1	-	42.8	35.9	-	38.6	-	-	50.0	39.5	-	44.3	37.9	-	-	158
164	-	-	-	-	-	-	-	-	34.2	-	-	37.0	32.4	-	49.2	37.7	-	43.7	35.9	-	-	164
177	-	-	-	-	-	-	-	-	31.5	-	-	34.8	29.3	-	-	35.1	30.6	42.3	32.6	-	-	177
190	-	-	-	-	-	-	-	-	-	-	-	-	-	-	-	32.8	27.8	41.7	30.4	26.5	-	190
203	-	-	-	-	-	-	-	-	-	-	-	-	-	-	-	-	25.8	-	28.0	23.8	-	203
217	-	-	-	-	-	-	-	-	-	-	-	-	-	-	-	-	24.3	-	27.3	21.8	-	217
230	-	-	-	-	-	-	-	-	-	-	-	-	-	-	-	-	-	-	-	20.5	-	230
243	-	-	-	-	-	-	-	-	-	-	-	-	-	-	-	-	-	-	-	-	-	243

		196.9 ft			216.5 ft			236.2 ft			255.9 ft			275.6 ft			295.3 ft					
ft		1,000 lb																		ft		
92	48.3	-	-	-	39.9	-	-	-	-	-	-	-	-	-	-	-	-	-	-	-	92	
98	47.6	-	-	-	39.5	-	-	33.1	-	-	-	-	-	-	-	-	-	-	-	-	98	
105	46.7	-	-	-	38.8	-	-	32.6	-	-	28.4	-	-	-	-	-	-	-	-	-	105	
112	46.1	-	-	-	38.4	-	-	32.4	-	-	28.2	-	-	22.5	-	-	-	-	-	-	112	
118	45.2	-	-	-	37.9	-	-	32.2	-	-	28.0	-	-	22.3	-	-	17.4	-	-	-	118	
125	44.5	-	-	-	37.3	-	-	31.7	-	-	27.8	-	-	22.3	-	-	17.4	-	-	-	125	
131	43.7	-	-	-	36.8	-	-	31.5	-	-	27.6	-	-	22.3	-	-	17.4	-	-	-	131	
138	43.0	-	-	-	36.4	-	-	31.3	-	-	27.3	-	-	22.0	-	-	17.4	-	-	-	138	
144	42.3	-	-	-	35.9	-	-	30.9	-	-	27.1	-	-	22.0	-	-	17.2	-	-	-	144	
151	41.4	-	-	-	35.5	-	-	30.6	-	-	26.9	-	-	22.0	-	-	17.2	-	-	-	151	
158	40.8	37.3	-	-	35.3	-	-	30.2	-	-	26.7	-	-	21.8	-	-	17.2	-	-	-	158	
164	40.1	35.5	-	-	34.8	33.1	-	30.0	-	-	26.5	-	-	21.8	-	-	17.2	-	-	-	164	
177	39.0	32.2	-	-	34.0	30.2	-	29.3	26.9	-	26.0	-	-	21.6	-	-	17.0	-	-	-	177	
190	37.9	29.3	-	-	33.3	27.3	-	28.7	24.7	-	25.6	22.9	-	21.6	19.4	-	17.0	-	-	-	190	
203	37.3	27.1	23.6	-	32.6	24.7	-	28.4	22.7	-	25.1	21.4	-	21.4	18.5	-	16.8	14.8	-	-	203	
217	-	25.1	21.2	19.4	-	-	-	28.0	20.7	-	24.9	19.6	-	21.2	17.6	-	16.8	14.3	-	-	217	
230	-	24.0	19.4	17.2	-	-	-	27.8	19.2	15.9	-	-	21.2	17.0	-	16.8	14.1	-	-	230		
243	-	-	18.1	-	-	-	-	27.3	17.6	13.9	24.0	16.8	13.4	-	20.9	15.9	-	16.5	13.7	-	-	243
256	-	-	17.2	-	-	-	-	-	16.3	12.6	23.8	15.2	11.7	-	20.7	14.8	11.7	16.5	13.0	-	-	256
269	-	-	-	-	-	-	-	-	15.9	11.2	23.1	13.9	10.6	-	20.7	13.4	10.1	16.3	12.1	-	-	269
282	-	-	-	-	-	-	-	-	10.4	-	-	13.4	9.3	-	20.5	12.3	9.0	16.3	11.0	-	-	282
295	-	-	-	-	-	-	-	-	9.9	-	-	13.0	8.4	-	-	11.7	7.9	16.1	10.1	-	-	295
308	-	-	-	-	-	-	-	-	-	-	-	-	7.9	-	-	11.2	7.1	15.9	9.3	-	-	308
322	-	-	-	-	-	-	-	-	-	-	-	-	-	-	-	-	6.6	-	9.0	-	-	322
335	-	-	-	-	-	-	-	-	-	-	-	-	-	-	-	-	6.0	-	8.8	-	-	335

Remarks

Counterweight 132,300 lb 176,400 lb 220,500 lb 264,600 lb 308,600 lb 352,700 lb 396,800 lb

Max. capacities with minimum counterweight

Further counterweight configurations on request

ALL TERRAIN CRANE AC 500-2

LIFTING CAPACITIES LUFFING FLY JIB WITH SSL, MAIN BOOM 83°-65°

360° 85 %

139.4 ft + 13.1 ft Main boom + adapter

Radius	Fly jib						Radius						
	98.4 ft		118.1 ft		137.8 ft			157.5 ft		177.2 ft			
	83°	73°	65°	83°	73°	65°	83°	73°	65°	83°	73°	65°	
ft	1,000 lb												ft
59	153.4	-	-	-	-	-	-	-	-	-	-	-	59
66	164.2	-	-	131.4	-	-	-	-	-	-	-	-	66
72	154.3	-	-	147.5	-	-	111.3	-	-	-	-	-	72
79	144.2	-	-	138.9	-	-	130.5	-	-	97.0	-	-	79
85	135.6	-	-	130.3	-	-	124.3	-	-	117.3	-	-	85
92	125.2	-	-	122.8	-	-	117.9	-	-	112.7	-	-	92
98	116.2	-	-	114.4	-	-	111.8	-	-	108.0	-	-	98
105	108.2	94.1	-	106.5	-	-	104.9	-	-	103.4	-	-	105
112	101.2	88.0	-	99.4	-	-	97.9	-	-	99.0	-	-	112
118	-	82.5	-	93.3	80.5	-	91.7	-	-	93.0	-	-	118
125	-	77.6	-	87.7	75.6	-	86.0	73.6	-	87.5	-	-	125
131	-	73.2	-	82.9	71.0	-	81.1	69.2	-	82.5	70.5	-	131
138	-	69.2	60.8	-	67.0	-	76.5	65.3	-	78.0	66.6	-	138
144	-	-	57.5	-	63.5	-	72.5	61.5	-	73.9	62.8	-	144
151	-	-	54.7	-	60.2	52.5	68.8	58.2	-	70.1	59.5	-	151
158	-	-	52.0	-	57.3	49.8	-	55.3	47.6	66.6	56.4	-	158
164	-	-	-	-	-	47.2	-	52.5	45.2	63.5	53.8	-	164
177	-	-	-	-	-	43.0	-	47.6	40.8	-	48.7	41.9	177
190	-	-	-	-	-	-	-	-	37.0	-	44.5	38.1	190
203	-	-	-	-	-	-	-	-	-	-	-	34.8	203
217	-	-	-	-	-	-	-	-	-	-	-	32.0	217
230	-	-	-	-	-	-	-	-	-	-	-	-	230
243	-	-	-	-	-	-	-	-	-	-	-	-	243

ft	Fly jib												ft			
	196.9 ft		216.5 ft		236.2 ft		255.9 ft		275.6 ft		295.3 ft					
	83°	73°	65°	83°	73°	65°	83°	73°	65°	83°	73°	65°				
92	80.0	-	-	54.9	-	-	-	-	-	-	-	-	92			
98	78.7	-	-	63.9	-	46.5	-	-	-	-	-	-	98			
105	77.4	-	-	63.1	-	55.8	-	38.4	-	-	-	-	105			
112	76.1	-	-	61.9	-	55.3	-	43.7	-	35.5	-	-	112			
118	74.5	-	-	61.1	-	54.9	-	43.4	-	35.3	-	28.7	118			
125	73.2	-	-	60.2	-	54.5	-	43.0	-	34.8	-	28.4	125			
131	71.9	-	-	59.1	-	54.2	-	42.8	-	34.6	-	28.2	131			
138	70.3	-	-	58.2	-	53.8	-	42.3	-	34.4	-	28.0	138			
144	69.0	-	-	57.3	-	53.1	-	42.1	-	34.2	-	27.8	144			
151	67.7	54.7	-	56.4	-	52.5	-	41.7	-	34.0	-	27.6	151			
158	64.4	53.6	-	55.3	43.2	51.6	-	41.0	-	33.5	-	27.1	158			
164	61.1	51.1	-	54.5	42.8	50.7	-	40.3	-	33.1	-	26.9	164			
177	55.6	46.1	-	52.7	41.4	48.9	35.5	38.6	30.6	31.7	-	26.0	177			
190	50.7	41.9	-	48.9	40.1	47.2	34.8	37.0	30.2	30.2	23.8	24.9	190			
203	46.5	38.4	32.0	44.8	36.4	43.0	34.2	35.5	30.0	28.9	23.6	23.8	18.1	203		
217	-	35.1	29.1	41.0	33.1	39.2	31.3	25.1	34.6	29.5	27.6	23.6	22.5	17.9	217	
230	-	32.4	26.7	34.6	30.4	35.9	28.4	22.7	33.5	28.0	22.3	26.7	23.4	17.9	230	
243	-	-	24.5	-	27.8	22.5	33.1	25.8	20.3	32.4	25.6	20.1	25.6	23.1	18.5	243
256	-	-	22.5	-	25.6	20.3	-	23.6	18.3	30.2	23.1	17.9	24.7	22.9	17.4	256
269	-	-	-	-	18.5	-	21.6	16.5	13.7	23.1	21.2	16.1	24.0	20.7	15.7	269
282	-	-	-	-	-	-	-	15.0	-	19.4	14.6	11.7	23.4	19.0	14.1	282
295	-	-	-	-	-	-	-	-	13.7	17.6	13.0	-	23.4	19.0	14.1	295
308	-	-	-	-	-	-	-	-	-	11.7	-	-	15.9	11.2	15.9	308
322	-	-	-	-	-	-	-	-	-	-	-	-	9.9	-	13.4	322
335	-	-	-	-	-	-	-	-	-	-	-	-	8.8	-	12.3	335
348	-	-	-	-	-	-	-	-	-	-	-	-	-	-	6.8	348
361	-	-	-	-	-	-	-	-	-	-	-	-	-	-	-	361

Remarks

Counterweight 176,400 lb 220,500 lb 264,600 lb 308,600 lb 352,700 lb 396,800 lb

Max. capacities with minimum counterweight

Further counterweight configurations on request

LIFTING CAPACITIES LUFFING FLY JIB, MAIN BOOM 83° TO 65°

☰ 360° 85 %

154.9 ft + 13.1 ft Main boom + adapter

		Fly jib																		
		78.7 ft			98.4 ft			118.1 ft			137.8 ft			157.5 ft			177.2 ft			
Radius		83°	73°	65°	83°	73°	65°	83°	73°	65°	83°	73°	65°	83°	73°	65°	83°	73°	65°	Radius
ft		1,000 lb																		ft
66		88.6	-	-	78.3	-	-	-	-	-	-	-	-	-	-	-	-	-	-	66
72		84.2	-	-	75.4	-	-	68.8	-	-	-	-	-	-	-	-	-	-	-	72
79		80.7	-	-	72.5	-	-	66.6	-	-	57.1	-	-	52.2	-	-	-	-	-	79
85		77.4	-	-	70.1	-	-	64.4	-	-	55.3	-	-	51.1	-	-	45.6	-	-	85
92		74.7	-	-	67.7	-	-	62.4	-	-	53.6	-	-	50.0	-	-	44.8	-	-	92
98		71.9	-	-	65.5	-	-	60.4	-	-	52.0	-	-	48.9	-	-	43.9	-	-	98
105		-	-	-	63.5	-	-	58.4	-	-	50.7	-	-	47.8	-	-	42.8	-	-	105
112		-	53.1	-	61.7	50.0	-	56.4	-	-	49.4	-	-	46.7	-	-	41.9	-	-	112
118		-	50.3	-	60.6	47.2	-	55.1	-	-	48.1	-	-	45.6	-	-	41.0	-	-	118
125		-	47.4	-	-	44.3	-	53.6	42.1	-	46.7	-	-	44.8	-	-	40.1	-	-	125
131		-	-	-	-	42.3	-	52.2	39.9	-	45.6	38.1	-	43.7	-	-	39.2	-	-	131
138		-	-	-	-	40.3	-	51.1	37.7	-	44.8	36.2	-	42.8	-	-	38.6	-	-	138
144		-	-	-	-	39.0	34.0	-	36.2	-	43.7	34.2	-	41.9	35.3	-	37.7	-	-	144
151		-	-	-	-	-	32.2	-	34.6	-	42.8	32.2	-	41.2	33.5	-	36.8	31.7	-	151
158		-	-	-	-	-	30.4	-	33.5	28.2	42.3	30.9	-	40.3	32.0	-	36.2	30.2	-	158
164		-	-	-	-	-	28.9	-	32.2	26.9	-	29.5	-	39.7	30.2	-	35.7	28.7	-	164
177		-	-	-	-	-	-	-	-	24.5	-	27.1	22.5	38.8	28.0	-	34.4	25.8	-	177
190		-	-	-	-	-	-	-	-	-	-	-	20.3	-	25.8	21.4	33.7	23.6	-	190
203		-	-	-	-	-	-	-	-	-	-	-	18.7	-	24.7	19.6	-	21.8	17.6	203
217		-	-	-	-	-	-	-	-	-	-	-	-	-	18.1	-	-	20.5	16.1	217
230		-	-	-	-	-	-	-	-	-	-	-	-	-	-	-	-	-	14.6	230
243		-	-	-	-	-	-	-	-	-	-	-	-	-	-	-	-	-	13.7	243
256		-	-	-	-	-	-	-	-	-	-	-	-	-	-	-	-	-	-	256

		196.9 ft			216.5 ft			236.2 ft			255.9 ft			275.6 ft			295.3 ft			
ft		1,000 lb																		ft
92		39.5	-	-	-	-	-	-	-	-	-	-	-	-	-	-	-	-	-	92
98		38.8	-	-	31.5	-	-	-	-	-	-	-	-	-	-	-	-	-	-	98
105		38.1	-	-	31.1	-	-	26.2	-	-	-	-	-	-	-	-	-	-	-	105
112		37.5	-	-	30.4	-	-	25.8	-	-	21.2	-	-	-	-	-	-	-	-	112
118		36.8	-	-	30.0	-	-	25.6	-	-	20.9	-	-	18.1	-	-	13.9	-	-	118
125		36.2	-	-	29.5	-	-	25.1	-	-	20.7	-	-	18.1	-	-	13.9	-	-	125
131		35.5	-	-	29.1	-	-	24.9	-	-	20.5	-	-	17.9	-	-	13.7	-	-	131
138		34.8	-	-	28.7	-	-	24.5	-	-	20.3	-	-	17.6	-	-	13.7	-	-	138
144		34.2	-	-	28.2	-	-	24.3	-	-	20.1	-	-	17.4	-	-	13.7	-	-	144
151		33.7	-	-	27.8	-	-	23.8	-	-	19.8	-	-	17.2	-	-	13.7	-	-	151
158		33.1	29.3	-	27.6	-	-	23.6	-	-	19.6	-	-	17.2	-	-	13.7	-	-	158
164		32.4	28.0	-	27.1	-	-	23.4	-	-	19.4	-	-	17.0	-	-	13.4	-	-	164
177		31.3	25.4	-	26.2	23.1	-	22.7	20.5	-	19.2	-	-	16.8	-	-	13.4	-	-	177
190		30.2	22.7	-	25.6	20.7	-	22.3	18.5	-	18.7	17.0	-	16.5	-	-	13.4	-	-	190
203		29.5	20.9	17.2	24.9	18.5	-	21.8	16.8	-	18.3	15.4	-	16.3	12.6	-	13.2	-	-	203
217		29.3	19.2	15.4	24.3	17.0	13.4	21.4	14.8	-	18.1	13.9	-	16.1	11.9	-	13.2	-	-	217
230		-	17.9	13.9	24.0	15.4	11.7	20.9	13.4	10.1	17.9	12.3	-	15.9	11.2	-	13.2	-	-	230
243		-	17.4	12.6	-	14.1	10.4	20.5	12.3	8.6	17.6	11.2	-	15.7	10.6	-	13.2	-	-	243
256		-	-	11.7	-	13.7	9.3	20.1	11.0	7.3	17.4	10.1	-	15.4	9.5	-	13.0	-	-	256
269		-	-	-	-	-	8.4	-	10.4	6.4	17.4	9.0	-	15.2	8.6	-	13.0	-	-	269
282		-	-	-	-	-	7.7	-	9.9	5.5	-	8.4	-	15.2	7.5	-	13.0	-	-	282
295		-	-	-	-	-	-	-	-	4.9	-	7.9	-	14.3	6.8	-	12.8	-	-	295
308		-	-	-	-	-	-	-	-	-	-	-	-	6.4	-	-	12.8	-	-	308
322		-	-	-	-	-	-	-	-	-	-	-	-	6.2	-	-	-	-	-	322
335		-	-	-	-	-	-	-	-	-	-	-	-	-	-	-	-	-	-	335

Remarks

Counterweight 132,300 lb 176,400 lb 220,500 lb 264,600 lb 308,600 lb 352,700 lb 396,800 lb

Max. capacities with minimum counterweight

Further counterweight configurations on request

LIFTING CAPACITIES LUFFING FLY JIB WITH SSL, MAIN BOOM 83°-65°

☰  360° 85 %

154.9 ft + 13.1 ft Main boom + adapter

Radius	Fly jib						Radius						
	98.4 ft		118.1 ft		137.8 ft			157.5 ft		177.2 ft			
	83°	73°	65°	83°	73°	65°	83°	73°	65°	83°	73°	65°	
ft	1,000 lb												ft
66	138.0	-	-	-	-	-	-	-	-	-	-	-	66
72	127.9	-	-	121.5	-	-	-	-	-	-	-	-	72
79	121.9	-	-	113.8	-	-	110.2	-	-	84.7	-	-	79
85	117.9	-	-	106.0	-	-	103.6	-	-	101.2	-	-	85
92	114.0	-	-	100.8	-	-	97.0	-	-	95.9	-	-	92
98	109.8	-	-	97.7	-	-	90.4	-	-	90.6	-	-	98
105	104.5	-	-	94.6	-	-	85.8	-	-	85.5	-	-	105
112	99.4	86.2	-	91.7	-	-	81.4	-	-	80.5	-	-	112
118	94.1	80.7	-	88.8	78.0	-	79.1	-	-	77.2	-	-	118
125	-	75.8	-	86.0	73.9	-	76.9	-	-	73.6	-	-	125
131	-	71.4	-	82.0	69.4	-	75.2	67.5	-	70.1	-	-	131
138	-	67.7	-	66.8	65.5	-	73.4	63.7	-	67.7	63.5	-	138
144	-	64.2	55.6	-	61.9	-	71.2	60.0	-	66.4	61.3	-	144
151	-	-	52.7	-	58.6	-	68.1	56.9	-	65.0	58.2	-	151
158	-	-	50.0	-	55.8	47.8	54.5	53.8	-	63.7	55.1	-	158
164	-	-	47.6	-	53.1	45.4	-	51.1	-	62.4	52.5	-	164
177	-	-	-	-	-	41.0	-	46.3	39.0	46.1	47.6	40.1	177
190	-	-	-	-	-	-	-	-	35.3	-	43.4	36.4	190
203	-	-	-	-	-	-	-	-	32.2	-	39.9	33.3	203
217	-	-	-	-	-	-	-	-	-	-	30.4	-	217
230	-	-	-	-	-	-	-	-	-	-	-	-	230
243	-	-	-	-	-	-	-	-	-	-	-	-	243
256	-	-	-	-	-	-	-	-	-	-	-	-	256

ft	Fly jib												ft		
	196.9 ft		216.5 ft		236.2 ft		255.9 ft		275.6 ft		295.3 ft				
	83°	73°	65°	83°	73°	65°	83°	73°	65°	83°	73°	65°			
92	58.2	-	-	-	-	-	-	-	-	-	-	-	92		
98	69.2	-	-	48.7	-	-	-	-	-	-	-	-	98		
105	67.5	-	-	59.1	-	48.3	-	-	-	-	-	-	105		
112	65.7	-	-	57.8	-	47.6	-	40.1	-	24.5	-	-	112		
118	63.9	-	-	56.4	-	47.2	-	39.9	-	31.7	-	18.7	118		
125	62.2	-	-	55.1	-	46.5	-	39.7	-	31.5	-	25.4	125		
131	60.6	-	-	53.8	-	46.1	-	39.5	-	31.5	-	25.1	131		
138	58.9	-	-	52.5	-	45.4	-	39.2	-	31.3	-	24.9	138		
144	57.1	-	-	51.1	-	44.8	-	39.0	-	31.1	-	24.7	144		
151	55.3	-	-	50.0	-	44.1	-	38.8	-	30.9	-	24.7	151		
158	53.8	45.0	-	48.7	-	43.2	-	38.4	-	30.6	-	24.5	158		
164	52.0	44.1	-	47.6	37.5	42.3	-	37.9	-	30.6	-	24.3	164		
177	49.4	42.5	-	45.2	36.6	40.6	31.1	36.8	-	29.8	-	23.8	177		
190	46.7	40.8	-	43.0	35.7	38.6	30.4	35.5	24.7	28.9	-	23.1	190		
203	44.5	37.0	30.4	40.8	34.8	36.8	29.5	34.4	24.3	28.0	19.4	22.5	14.8	203	
217	32.6	34.0	27.6	38.6	32.0	25.6	34.8	28.9	24.0	27.3	19.2	21.6	14.8	217	
230	-	31.3	25.1	36.2	29.3	23.1	33.1	27.3	21.2	26.2	19.2	20.9	14.8	230	
243	-	28.9	22.9	-	26.7	20.9	32.2	24.9	19.0	25.4	19.0	20.3	14.8	243	
256	-	-	20.9	-	24.7	19.0	20.9	22.7	17.0	28.7	22.3	16.5	14.8	256	
269	-	-	-	-	17.2	-	20.7	15.2	12.3	25.1	20.3	14.8	13.7	9.7	269
282	-	-	-	-	15.7	-	19.0	13.7	-	18.5	13.2	23.4	18.1	14.8	282
295	-	-	-	-	-	-	-	12.3	-	16.8	11.7	14.3	16.3	11.2	295
308	-	-	-	-	-	-	-	-	-	10.4	-	15.0	9.9	9.0	308
322	-	-	-	-	-	-	-	-	-	9.3	-	13.7	8.8	7.7	322
335	-	-	-	-	-	-	-	-	-	-	-	7.7	-	6.8	335
348	-	-	-	-	-	-	-	-	-	-	-	-	-	5.7	348
361	-	-	-	-	-	-	-	-	-	-	-	-	-	4.9	361

Remarks

Counterweight 176,400 lb 220,500 lb 264,600 lb 308,600 lb 352,700 lb 396,800 lb

Max. capacities with minimum counterweight

Further counterweight configurations on request



LIFTING CAPACITIES LUFFING FLY JIB, MAIN BOOM 83° TO 65°

360° 85 %

169.9 ft + 13.1 ft Main boom + adapter

		Fly jib																			
		78.7 ft			98.4 ft			118.1 ft			137.8 ft			157.5 ft			177.2 ft				
Radius		83°	73°	65°	83°	73°	65°	83°	73°	65°	83°	73°	65°	83°	73°	65°	83°	73°	65°	Radius	
ft		1,000 lb																		ft	
66		71.0	-	-	62.2	-	-	-	-	-	-	-	-	-	-	-	-	-	-	66	
72		67.7	-	-	60.0	-	-	53.6	-	-	-	-	-	-	-	-	-	-	-	72	
79		65.0	-	-	57.5	-	-	52.0	-	-	45.0	-	-	-	-	-	-	-	-	79	
85		62.4	-	-	55.8	-	-	50.5	-	-	43.9	-	-	41.0	-	-	-	-	-	85	
92		60.4	-	-	54.2	-	-	48.9	-	-	42.5	-	-	39.9	-	-	-	-	35.1	92	
98		58.9	-	-	52.5	-	-	47.6	-	-	41.4	-	-	39.0	-	-	-	-	34.4	98	
105		-	-	-	51.4	-	-	46.3	-	-	40.3	-	-	37.9	-	-	-	-	33.5	105	
112		-	-	-	50.3	-	-	45.0	-	-	39.2	-	-	37.0	-	-	-	-	32.8	112	
118		-	41.2	-	49.4	39.2	-	43.9	-	-	38.4	-	-	36.2	-	-	-	-	32.2	118	
125		-	38.8	-	-	37.3	-	42.5	-	-	37.3	-	-	35.3	-	-	-	-	31.3	125	
131		-	37.3	-	-	35.3	-	41.7	32.6	-	36.4	-	-	34.4	-	-	-	-	30.6	131	
138		-	-	-	-	33.3	-	40.6	31.1	-	35.7	29.1	-	33.7	-	-	-	-	30.2	138	
144		-	-	-	-	31.7	-	-	29.5	-	34.8	27.6	-	33.1	-	-	-	-	29.5	144	
151		-	-	-	-	30.4	-	-	28.0	-	34.2	26.0	-	32.4	26.9	-	-	-	28.9	151	
158		-	-	-	-	-	24.5	-	26.7	-	33.7	24.7	-	31.7	25.6	-	-	-	28.2	23.6	158
164		-	-	-	-	-	23.1	-	25.6	20.9	-	23.4	-	31.1	24.3	-	-	-	27.8	22.5	164
177		-	-	-	-	-	-	-	-	18.7	-	21.2	17.0	30.6	22.0	-	-	-	26.9	20.1	177
190		-	-	-	-	-	-	-	-	17.0	-	19.8	15.0	-	20.3	16.1	-	-	26.0	18.1	190
203		-	-	-	-	-	-	-	-	-	-	-	-	-	19.0	14.3	-	-	16.5	12.6	203
217		-	-	-	-	-	-	-	-	-	-	-	-	-	-	13.0	-	-	15.2	11.0	217
230		-	-	-	-	-	-	-	-	-	-	-	-	-	-	12.1	-	-	14.6	9.9	230
243		-	-	-	-	-	-	-	-	-	-	-	-	-	-	-	-	-	-	8.8	243
256		-	-	-	-	-	-	-	-	-	-	-	-	-	-	-	-	-	-	-	256

		196.9 ft			216.5 ft			236.2 ft			255.9 ft			275.6 ft			295.3 ft			
		1,000 lb																		
ft		98			98			98			98			98			98			ft
98		30.0	-	-	23.8	-	-	-	-	-	-	-	-	-	-	-	-	-	-	98
105		29.3	-	-	23.4	-	-	19.0	-	-	-	-	-	-	-	-	-	-	-	105
112		28.9	-	-	23.1	-	-	18.7	-	-	14.8	-	-	-	-	-	-	-	-	112
118		28.4	-	-	22.7	-	-	18.3	-	-	14.6	-	-	11.2	-	-	-	-	-	118
125		27.8	-	-	22.3	-	-	18.1	-	-	14.3	-	-	11.0	-	-	-	-	7.9	125
131		27.3	-	-	22.0	-	-	17.9	-	-	14.1	-	-	11.0	-	-	-	-	7.9	131
138		26.9	-	-	21.6	-	-	17.4	-	-	13.9	-	-	10.8	-	-	-	-	7.7	138
144		26.2	-	-	21.2	-	-	17.2	-	-	13.7	-	-	10.6	-	-	-	-	7.7	144
151		25.8	-	-	20.9	-	-	17.0	-	-	13.4	-	-	10.6	-	-	-	-	7.7	151
158		25.4	-	-	20.5	-	-	16.5	-	-	13.2	-	-	10.4	-	-	-	-	7.7	158
164		24.9	20.9	-	20.3	-	-	16.3	-	-	13.2	-	-	10.4	-	-	-	-	7.7	164
177		24.0	19.2	-	19.4	16.1	-	15.7	-	-	12.8	-	-	9.9	-	-	-	-	7.5	177
190		23.4	17.2	-	19.2	14.6	-	15.2	12.1	-	12.3	-	-	9.7	-	-	-	-	7.5	190
203		22.7	15.7	-	18.7	13.2	-	14.8	10.8	-	12.1	-	-	9.5	-	-	-	-	7.3	203
217		22.5	14.3	10.6	18.3	11.9	-	14.6	9.7	-	11.9	-	-	9.3	-	-	-	-	7.3	217
230		-	13.0	9.3	18.3	10.8	-	14.1	8.6	-	11.7	-	-	9.3	-	-	-	-	7.3	230
243		-	12.3	8.2	-	9.7	-	13.9	7.7	-	11.7	-	-	9.0	-	-	-	-	7.1	243
256		-	-	7.1	-	8.8	-	13.7	6.8	-	11.5	-	-	8.8	-	-	-	-	7.1	256
269		-	-	6.6	-	8.4	-	-	6.0	-	11.2	-	-	8.8	-	-	-	-	6.8	269
282		-	-	-	-	-	-	-	5.5	-	-	-	-	8.6	-	-	-	-	6.8	282
295		-	-	-	-	-	-	-	-	-	-	-	-	8.6	-	-	-	-	6.6	295
308		-	-	-	-	-	-	-	-	-	-	-	-	-	-	-	-	-	6.6	308
322		-	-	-	-	-	-	-	-	-	-	-	-	-	-	-	-	-	-	322

Remarks

Counterweight 132,300 lb 176,400 lb 220,500 lb 264,600 lb 308,600 lb 352,700 lb 396,800 lb

Max. capacities with minimum counterweight

Further counterweight configurations on request

ALL TERRAIN CRANE AC 500-2

LIFTING CAPACITIES LUFFING FLY JIB WITH SSL, MAIN BOOM 83°-65°

360° 85 %

169.9 ft + 13.1 ft Main boom + adapter

Radius ft	Fly jib						Radius ft									
	98.4 ft		118.1 ft		137.8 ft			157.5 ft		177.2 ft						
	83°	73°	65°	83°	73°	65°	83°	73°	65°	83°	73°	65°	83°	73°	65°	
	1,000 lb															
66	110.5	-	-	-	-	-	-	-	-	-	-	-	-	-	-	66
72	106.5	-	-	92.4	-	-	-	-	-	-	-	-	-	-	-	72
79	102.5	-	-	92.8	-	-	78.3	-	-	-	-	-	-	-	-	79
85	99.2	-	-	86.4	-	-	83.8	-	-	68.6	-	-	-	-	-	85
92	96.1	-	-	83.6	-	-	78.3	-	-	77.4	-	-	70.5	-	-	92
98	93.0	-	-	81.1	-	-	73.0	-	-	73.2	-	-	67.5	-	-	98
105	90.8	-	-	78.7	-	-	69.2	-	-	68.8	-	-	64.4	-	-	105
112	88.8	-	-	76.5	-	-	67.2	-	-	64.4	-	-	61.5	-	-	112
118	86.6	73.2	-	75.0	-	-	65.5	-	-	61.7	-	-	58.4	-	-	118
125	-	69.0	-	73.4	66.1	-	63.5	-	-	58.9	-	-	55.6	-	-	125
131	-	65.5	-	72.1	63.1	-	62.4	-	-	56.9	-	-	53.4	-	-	131
138	-	62.2	-	70.8	59.7	-	61.3	55.6	-	55.6	-	-	50.9	-	-	138
144	-	59.5	-	-	57.1	-	60.2	53.6	-	54.7	49.8	-	48.7	-	-	144
151	-	56.9	48.1	-	54.5	-	59.1	51.6	-	53.8	48.7	-	46.7	42.5	-	151
158	-	-	45.6	-	52.5	-	58.2	49.8	-	52.9	47.6	-	45.9	41.7	-	158
164	-	-	43.4	-	50.5	41.4	-	48.1	-	52.0	46.3	-	45.2	40.8	-	164
177	-	-	-	-	-	37.7	-	44.5	36.4	50.7	43.9	-	43.9	38.8	-	177
190	-	-	-	-	-	35.1	-	40.6	33.1	-	41.2	34.4	42.8	37.3	-	190
203	-	-	-	-	-	-	-	-	30.4	-	38.4	31.3	-	35.7	30.0	203
217	-	-	-	-	-	-	-	-	-	-	-	29.1	-	34.0	27.3	217
230	-	-	-	-	-	-	-	-	-	-	-	26.9	-	31.3	24.9	230
243	-	-	-	-	-	-	-	-	-	-	-	-	-	-	22.7	243
256	-	-	-	-	-	-	-	-	-	-	-	-	-	-	-	256

ft	Fly jib												ft			
	196.9 ft		216.5 ft		236.2 ft		255.9 ft		275.6 ft		295.3 ft					
	83°	73°	65°	83°	73°	65°	83°	73°	65°	83°	73°	65°	83°	73°	65°	
	1,000 lb															
92	50.5	-	-	-	-	-	-	-	-	-	-	-	-	-	-	92
98	60.6	-	-	40.8	-	-	-	-	-	-	-	-	-	-	-	98
105	58.9	-	-	50.7	-	33.3	-	-	-	-	-	-	-	-	-	105
112	56.9	-	-	49.4	-	42.5	-	-	25.1	-	-	-	-	-	-	112
118	54.9	-	-	47.8	-	41.7	-	-	35.1	-	-	19.8	-	-	-	118
125	53.1	-	-	46.3	-	40.8	-	-	34.6	-	-	28.4	-	-	13.4	125
131	51.1	-	-	44.8	-	39.9	-	-	34.2	-	-	28.2	-	-	22.5	131
138	49.2	-	-	43.2	-	38.8	-	-	33.7	-	-	27.8	-	-	22.3	138
144	47.2	-	-	41.9	-	37.9	-	-	33.1	-	-	27.6	-	-	22.0	144
151	45.2	-	-	40.3	-	37.0	-	-	32.6	-	-	27.3	-	-	21.8	151
158	43.2	-	-	38.8	-	35.7	-	-	32.0	-	-	27.1	-	-	21.6	158
164	41.4	35.9	-	37.5	-	34.6	-	-	31.5	-	-	26.9	-	-	21.4	164
177	38.8	34.4	-	34.6	29.3	32.2	-	-	29.5	-	-	26.0	-	-	20.7	177
190	36.8	32.8	-	32.6	28.0	29.8	24.0	-	27.8	19.4	-	25.1	-	-	20.3	190
203	35.9	31.7	-	30.6	26.9	27.8	22.9	-	26.0	19.0	-	24.0	15.0	-	19.4	203
217	35.3	30.9	26.5	29.5	25.8	26.2	21.8	-	24.5	18.5	-	22.9	14.8	-	18.7	217
230	-	29.8	24.0	29.1	25.1	22.0	24.5	20.9	22.9	17.9	-	21.6	14.6	-	18.1	230
243	-	28.0	21.8	-	24.3	19.8	23.8	20.3	17.4	17.4	-	20.5	14.3	-	17.4	243
256	-	-	20.1	-	23.6	18.1	23.6	19.6	15.9	20.5	16.8	13.0	19.2	14.1	9.7	256
269	-	-	18.3	-	22.0	16.3	-	19.2	14.1	20.1	16.3	12.6	18.1	13.7	9.7	269
282	-	-	-	-	-	14.8	-	18.3	12.6	-	15.7	12.1	17.6	13.4	9.5	282
295	-	-	-	-	-	-	-	-	11.2	-	15.4	10.8	17.2	13.2	9.3	295
308	-	-	-	-	-	-	-	-	10.1	-	14.8	9.5	-	13.0	9.0	308
322	-	-	-	-	-	-	-	-	-	-	-	8.4	-	13.0	7.9	322
335	-	-	-	-	-	-	-	-	-	-	-	-	-	6.8	-	335
348	-	-	-	-	-	-	-	-	-	-	-	-	-	6.0	-	348
361	-	-	-	-	-	-	-	-	-	-	-	-	-	6.0	9.7	361

Remarks

Counterweight 176,400 lb 220,500 lb 264,600 lb 308,600 lb 352,700 lb 396,800 lb

Max. capacities with minimum counterweight

Further counterweight configurations on request



TECHNICAL DESCRIPTION

CARRIER

Drive / Steering	16 x 8 x 14.
Frame	Demag-built special main frame of high-strength fine-grain structural steel, with pot-shaped centre section and foldaway outrigger boxes.
Outriggers	4-point outrigger system, folding outrigger beams, fully hydraulic horizontal and vertical extension, providing 360° continuous rotation. Outrigger loading indicator.
Engine	Water-cooled 8-cylinder DaimlerChrysler diesel engine OM 502 LA, output 448 kW (610 hp) at 1800 1/min, torque 2700 Nm at 1200 1/min. Fuel tank capacity: 156 gallons.
Transmission	Allison type CLBT 755 with electronic transmission control (ATEC), torque converter and hydraulic retarder.
Axles	1 + 2 + 5 driving, connectable drive of axle 3. 1-4 and 6-8 steering, all axles hydropneumatically suspended and hydraulically lockable.
Wheels and tires	16 wheels, 14.00 R 25.
Steering	Dual-circuit semiblock mechanical steering with hydraulic booster.
Brakes	In conformity with EC directives. Sustained action brake: constant decompression valve, exhaust brake, hydraulic retarder integrated into gearbox.
Electrical equipment	24 V system, lighting in compliance with EC standards.
Driver's cab	Rubber-mounted low-line steel cab, ergonomic design, with pneumatically suspended driver's seat and one passenger's seat; vertically adjustable steering wheel; heated outside mirrors, mirror electrically adjustable; dashboard with clearly arranged instrumentation and carrier controls.

SUPERSTRUCTURE

Engine	Water-cooled 6-cylinder DaimlerChrysler diesel engine OM 906 LA, output: 205 kW (279 hp) at 2300 1/min, torque 1100 Nm at 1300 1/min. Fuel tank capacity: 79 gallons.
Hydraulic system	Powered via 5 hydraulic circuits, 4 main pumps for independent control movements, 1 pump for auxiliary circuits, one control pump for the servo control.
Hoist I	Axial-piston variable displacement motor, hoist drum with integrated planetary gear reducer, and brake.
Slew unit	Axial piston motor with planetary gearing, spring-applied automatic holding brake.
Boom elevation	2 differential cylinders with pilot-controlled lowering brake valves.
Control	Electric pilot-control by two self-centering servo levers.
Crane cab	Spacious all-steel comfortable cab (tiltable) with sliding door and large hinged windscreen, roof window with armoured glass, full instrumentation and crane controls, comfortable seat with ergonomic armrest mounted joystick controls, working light. Self-contained hot water heater with timer and 'Heizmatic' for sensitive heat flow control. Intermittent control window wiper and washer, air-conditioning.
Main boom	Boom base and four telescopic sections fabricated from fine grain structural steel, telescoping with partial load. Buckling-resistant Demag ovaloid design with diagonally arranged self-centering slider shoes.
Counterweight	220,500 lb, divisible.
Safety devices	Electronic safe load indicator with large graphic display and sealed touch-type keyboard, digital read-out for hook load, nominal load, boom length, angle, and radius. Analog display to indicate the capacity utilization, and monitoring code to assist in trouble shooting. Integrated control system for boom telescoping, display for load charts and both theoretical and measured outrigger loadings. In addition, provision has been made for: limit switches on hoist and lowering motions, pressure relief and safety holding valves, hoist rotation indicator and anemometer.

OPTIONAL EQUIPMENT

Superlift attachment	This attachment used to increase the crane's load moment consists of both the boom suspension system folding out, as required, at 0°, 30° or 60°. The boom suspension system provides for an automatic rope length adjustment for boom telescoping, and is lowered to the main boom when not needed (axle loads to be observed).
Main boom extension	Lattice extension consisting of components of the 295.3 ft luffing jib, 19.7 – 98.4 ft long, 0°, 20° and 40° offset from 39.3 ft length.
Fixed fly jib	Fixed lattice jib, comprising of parts of the luffing jib, 27.6 – 204.7 ft m long (LF system).
Luffing jib	78.7 – 295.3 ft, plus 13.1 ft adapter, with two luffing masts, pendant bars, electrical equipment, safety devices (hoist II is required when using the luffing jib).
Additional counterweight	176,400 lb, integrated into the standard counterweight, installed by the crane itself.
Additional jack leg	For special duties with 48.2 ft main boom.
Hoist II	Axial piston variable displacement motor, hoist drum with integrated planetary reduction, spring-applied multi-disk brake, hoist rope.
Independent rear axle steering	

NOTES TO LIFTING CAPACITY

Ratings are in compliance with ISO 4305 and DIN 15019.2 (test load = 1.25 x suspended load + 0.1 x dead weight of boom head).
Weight of hook blocks and slings is part of the load, and is to be deducted from the capacity ratings.

Crane operation with main boom is permissible up to a

wind pressure of: 1.25 lb/ft²


wind speed of: 21.9 mph

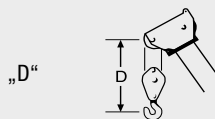
Consult operation manual for further details.

Note: Data published herein is intended as a guide only and shall not be construed to warrant applicability for lifting purposes.
Crane operation is subject to the computer charts and operation manual both supplied with the crane.

KEY

 Counterweight

 Lifting capacities on outriggers 360°



SL Superlift

OVERVIEW OF STANDARD DUTY CHARTS

31.6 ft x 31.5 ft

26.4 ft x 24.0 ft

Main boom

Main boom	0 lb 360°	44,100 lb 360°	88,200 lb 360°	132,300 lb 360°	176,400 lb 360°	220,500 lb 360°	264,600 lb 360°	308,600 lb 360°	352,700 lb 360°	396,800 lb 360°
63.3 ft	x	x	x	x	x	x	x	x	x	-
78.7 ft	x	x	x	x	x	x	x	x	x	-
93.8 ft	x	x	x	x	x	x	x	x	x	-
108.9 ft	x	x	x	x	x	x/+SSL	x/+SSL	x/+SSL	x/+SSL	+SSL
124.3 ft	x	x	x	x	x	x/+SSL	x/+SSL	x/+SSL	x/+SSL	+SSL
139.4 ft	x	x	x	x	x	x/+SSL	x/+SSL	x/+SSL	x/+SSL	+SSL
154.9 ft	x	x	x	x	x	x/+SSL	x/+SSL	x/+SSL	x/+SSL	+SSL
169.9 ft	x	x	x	x	x	x/+SSL	x/+SSL	x/+SSL	x/+SSL	+SSL
183.7 ft	x	x	x	x	x	x/+SSL	x/+SSL	x/+SSL	x/+SSL	+SSL

Main boom	0 lb 360°	44,100 lb 360°	88,200 lb 360°	132,300 lb 360°	176,400 lb 360°	220,500 lb 360°
63.3 ft	x	x	x	x	x	x
78.7 ft	x	x	x	x	x	x
93.8 ft	x	x	x	x	x	x
108.9 ft	x	x	x	x	x	x
124.3 ft	x	x	x	x	x	x
139.4 ft	x	x	x	x	x	x
154.9 ft	-	x	x	x	x	x
169.9 ft	-	x	x	x	x	x
183.7 ft	-	x	x	x	x	x

31.6 ft x 31.5 ft

26.4 ft x 24.0 ft

Main boom extension

Main boom	Extension	SSL = 0°	Main boom							
			88,200 lb	132,300 lb	176,400 lb	220,500 lb	264,600 lb	308,600 lb	352,700 lb	396,800 lb
183.7 ft	19.7 ft - 0°	SSL = 0°	x	x	x	x/+SSL	x/+SSL	x/+SSL	+SSL	+SSL
	39.4 ft - 0°	SSL = 0°	x	x	x	x/+SSL	x/+SSL	x/+SSL	+SSL	+SSL
	59.1 ft - 0°	SSL = 0°	x	x	x	x/+SSL	x/+SSL	x/+SSL	+SSL	+SSL
	78.7 ft - 0°	SSL = 0°	x	x	x	x/+SSL	x/+SSL	x/+SSL	+SSL	+SSL
	98.4 ft - 0°	SSL = 0°	x	x	x	x/+SSL	x/+SSL	x/+SSL	+SSL	+SSL
	39.4 ft - 30°	SSL = 30°	x	x	x/+SSL	x/+SSL	x/+SSL	x/+SSL	+SSL	+SSL
	59.1 ft - 30°	SSL = 30°	x	x	x/+SSL	x/+SSL	x/+SSL	x/+SSL	+SSL	+SSL
	78.7 ft - 30°	SSL = 30°	x	x	x/+SSL	x/+SSL	x/+SSL	x/+SSL	+SSL	+SSL
	98.4 ft - 30°	SSL = 30°	x	x	x/+SSL	x/+SSL	x/+SSL	x/+SSL	+SSL	+SSL
	39.4 ft - 40°	SSL = 0°	x	x	x	x/+SSL	x/+SSL	x/+SSL	+SSL	+SSL
	59.1 ft - 40°	SSL = 0°	x	x	x	x/+SSL	x/+SSL	x/+SSL	+SSL	+SSL
	78.7 ft - 40°	SSL = 0°	x	x	x	x/+SSL	x/+SSL	x/+SSL	+SSL	+SSL
98.4 ft - 40°	SSL = 0°	x	x	x	x/+SSL	x/+SSL	x/+SSL	+SSL	+SSL	

Main boom	Extension	88,200 lb	132,300 lb	176,400 lb	220,500 lb
39.4 ft - 0°	x	x	x	x	x
59.1 ft - 0°	x	x	x	x	x
78.7 ft - 0°	x	x	x	x	x
98.4 ft - 0°	x	x	x	x	x
183.7 ft	39.4 ft - 20°	x	x	x	x
	59.1 ft - 20°	x	x	x	x
	78.7 ft - 20°	x	x	x	x
	98.4 ft - 20°	x	x	x	x
183.7 ft	39.4 ft - 40°	x	x	x	x
	59.1 ft - 40°	x	x	x	x
	78.7 ft - 40°	x	x	x	x
	98.4 ft - 40°	x	x	x	x

31.6 ft x 31.5 ft

Fixed fly jib

Main boom	Extension	Main boom							
		88,200 lb	132,300 lb	176,400 lb	220,500 lb	264,600 lb	308,600 lb	352,700 lb	396,800 lb
139.4 ft	27.6 ft - 0°	x	x	x	x	x	x	x	-
	47.2 ft - 0°	x	x	x	x	x	x	x	-
	66.9 ft - 0°	x	x	x	x	x	x	x	-
	86.6 ft - 0°	x	x	x	x	x	x	x	-
	106.3 ft - 0°	x	x	x	x	x	x	x	-
	126.0 ft - 0°	x	x	x	x	x	x	x	-
	145.7 ft - 0°	x	x	x	x	x	x	x	-
	165.4 ft - 0°	x	x	x	x	x	x	x	-
	185.0 ft - 0°	x	x	x	x	x	x	x	-
	204.7 ft - 0°	x	x	x	x	x	x	x	-
	86.6 ft - 20°	x	x	x	x	x	x	x	-
	106.3 ft - 20°	x	x	x	x	x	x	x	-
	126.0 ft - 20°	x	x	x	x	x	x	x	-
	145.7 ft - 20°	x	x	x	x	x	x	x	-
165.4 ft - 20°	x	x	x	x	x	x	x	-	
185.0 ft - 20°	x	x	x	x	x	x	x	-	
204.7 ft - 20°	x	x	x	x	x	x	x	-	
86.6 ft - 40°	x	x	x	x	x	-	-	-	
106.3 ft - 40°	x	x	x	x	x	-	-	-	
126.0 ft - 40°	x	x	x	x	x	-	-	-	
145.7 ft - 40°	x	x	x	x	x	-	-	-	
165.4 ft - 40°	x	x	x	x	x	-	-	-	
185.0 ft - 40°	x	x	x	x	x	-	-	-	
204.7 ft - 40°	x	x	x	x	x	-	-	-	

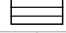
Main boom	Extension	88,200 lb	132,300 lb	176,400 lb**	220,500 lb	264,600 lb	308,600 lb	352,700 lb	396,800 lb	
										27.6 ft - 0°
47.2 ft - 0°	x	x	x/+SSL	x/+SSL	x/+SSL	x/+SSL	x/+SSL	+SSL		
66.9 ft - 0°	x	x	x/+SSL	x/+SSL	x/+SSL	x/+SSL	x/+SSL	+SSL		
86.6 ft - 0°	x	x	x/+SSL	x/+SSL	x/+SSL	x/+SSL	x/+SSL	+SSL		
106.3 ft - 0°	x	x	x/+SSL	x/+SSL	x/+SSL	x/+SSL	x/+SSL	+SSL		
126.0 ft - 0°	x	x	x/+SSL	x/+SSL	x/+SSL	x/+SSL	x/+SSL	+SSL		
145.7 ft - 0°	x	x	x/+SSL	x/+SSL	x/+SSL	x/+SSL	x/+SSL	+SSL		
165.4 ft - 0°	x	x	x/+SSL	x/+SSL	x/+SSL	x/+SSL	x/+SSL	+SSL		
169.9 ft	SSL 0°									
	86.6 ft - 20°	x	x	x	x/+SSL	x/+SSL	x/+SSL	x/+SSL	+SSL	-
	106.3 ft - 20°	x	x	x	x/+SSL	x/+SSL	x/+SSL	x/+SSL	+SSL	-
	126.0 ft - 20°	x	x	x	x/+SSL	x/+SSL	x/+SSL	x/+SSL	+SSL	-
145.7 ft - 20°	x	x	x	x/+SSL	x/+SSL	x/+SSL	x/+SSL	+SSL	-	
165.4 ft - 20°	x	x	x	x/+SSL	x/+SSL	x/+SSL	x/+SSL	+SSL	-	
169.9 ft	SSL 0°									
	86.6 ft - 40°	x	x	x	x/+SSL	x/+SSL	x/+SSL	x/+SSL	+SSL	-
	106.3 ft - 40°	x	x	x	x/+SSL	x/+SSL	x/+SSL	x/+SSL	+SSL	-
	126.0 ft - 40°	x	x	x	x/+SSL	x/+SSL	x/+SSL	x/+SSL	+SSL	-
145.7 ft - 40°	x	x	x	x/+SSL	x/+SSL	x/+SSL	x/+SSL	+SSL	-	
165.4 ft - 40°	x	x	x	x/+SSL	x/+SSL	x/+SSL	x/+SSL	+SSL	-	

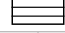
** 176,400 lb:
only SSL 30°

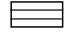
OVERVIEW OF STANDARD DUTY CHARTS

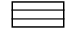
 31.6 ft x 31.5 ft

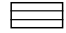
Luffing fly jib

Main boom	Jib								
		88,200 lb	132,300 lb	176,400 lb	220,500 lb	264,600 lb	308,600 lb	352,700 lb	396,800 lb
		83° / 73° / 65°							
48.2 ft + 13.1 ft 63.3 ft + 13.1 ft 78.7 ft + 13.1 ft 93.8 ft + 13.1 ft 108.9 ft + 13.1 ft	78.7 ft	-	x/-	x/-	x/x/x	x/x/x	x/x/x	x/x/x	x/x/x
	98.4 ft	-	x/-	x/-	x/x/x	x/x/x	x/x/x	x/x/x	x/x/x
	118.1 ft	-	x/-	x/-	x/x/x	x/x/x	x/x/x	x/x/x	x/x/x
	137.8 ft	-	x/-	x/-	x/x/x	x/x/x	x/x/x	x/x/x	x/x/x
	157.5 ft	-	x/-	x/-	x/x/x	x/x/x	x/x/x	x/x/x	x/x/x
	177.2 ft	-	x/-	x/-	x/x/x	x/x/x	x/x/x	x/x/x	x/x/x
	196.9 ft	-	x/-	x/-	x/x/x	x/x/x	x/x/x	x/x/x	x/x/x
	216.5 ft	-	x/-	x/-	x/x/x	x/x/x	x/x/x	x/x/x	x/x/x
	236.2 ft	-	-	-	x/x/x	x/x/x	x/x/x	x/x/x	x/x/x
	255.9 ft	-	-	-	x/x/x	x/x/x	x/x/x	x/x/x	x/x/x
	275.6 ft	-	-	-	x/x/x	x/x/x	x/x/x	x/x/x	x/x/x
295.3 ft	-	-	-	x/x/x	x/x/x	x/x/x	x/x/x	x/x/x	

Main boom	Jib								
		88,200 lb	132,300 lb	176,400 lb	220,500 lb	264,600 lb	308,600 lb	352,700 lb	396,800 lb
		83° / 73° / 65°							
154.9 ft + 13.1 ft	78.7 ft	-	x/-	x/-	x/x/x	x/x/x	x/x/x	-	-
	98.4 ft	-	x/-	x/-	x/x/x	x/x/x	x/x/x	-	-
	118.1 ft	-	x/-	x/-	x/x/x	x/x/x	x/x/x	-	-
	137.8 ft	-	x/-	x/-	x/x/x	x/x/x	x/x/x	-	-
	157.5 ft	-	x/-	x/-	x/x/x	x/x/x	x/x/x	-	-
	177.2 ft	-	x/-	x/-	x/x/x	x/x/x	x/x/x	-	-
	196.9 ft	-	x/-	x/-	x/x/x	x/x/x	x/x/x	-	-
	216.5 ft	-	x/-	x/-	x/x/x	x/x/x	x/x/x	-	-
	236.2 ft	-	-	-	x/x/x	x/x/x	x/x/x	-	-
	255.9 ft	-	-	-	x/x/x	x/x/x	x/x/x	-	-
	275.6 ft	-	-	-	x/x/x	x/x/x	x/x/x	-	-
295.3 ft	-	-	-	x/x/x	x/x/x	x/x/x	-	-	

Main boom	Jib								
		88,200 lb	132,300 lb	176,400 lb	220,500 lb	264,600 lb	308,600 lb	352,700 lb	396,800 lb
		83° / 73° / 65°							
124.3 ft + 13.1 ft	78.7 ft	-	x/-	x/-	x/x/x	x/x/x	x/x/x	x/x/x	x/x/x
	98.4 ft	-	x/-	x/-	x/x/x	x/x/x	x/x/x	x/x/x	x/x/x
	118.1 ft	-	x/-	x/-	x/x/x	x/x/x	x/x/x	x/x/x	x/x/x
	137.8 ft	-	x/-	x/-	x/x/x	x/x/x	x/x/x	x/x/x	x/x/x
	157.5 ft	-	x/-	x/-	x/x/x	x/x/x	x/x/x	x/x/x	x/x/x
	177.2 ft	-	x/-	x/-	x/x/x	x/x/x	x/x/x	x/x/x	x/x/x
	196.9 ft	-	x/-	x/-	x/x/x	x/x/x	x/x/x	x/x/x	x/x/x
	216.5 ft	-	x/-	x/-	x/x/x	x/x/x	x/x/x	x/x/x	x/x/x
	236.2 ft	-	-	-	x/x/x	x/x/x	x/x/x	x/x/x	x/x/x
	255.9 ft	-	-	-	x/x/x	x/x/x	x/x/x	x/x/x	x/x/x
	275.6 ft	-	-	-	x/x/x	x/x/x	x/x/x	x/x/x	x/x/x
295.3 ft	-	-	-	x/x/x	x/x/x	x/x/x	x/x/x	x/x/x	

Main boom	Jib								
		88,200 lb	132,300 lb	176,400 lb	220,500 lb	264,600 lb	308,600 lb	352,700 lb	396,800 lb
		83° / 73° / 65°							
169.9 ft + 13.1 ft	78.7 ft	-	x/-	x/-	x/x/x	x/x/x	-	-	-
	98.4 ft	-	x/-	x/-	x/x/x	x/x/x	-	-	-
	118.1 ft	-	x/-	x/-	x/x/x	x/x/x	-	-	-
	137.8 ft	-	x/-	x/-	x/x/x	x/x/x	-	-	-
	157.5 ft	-	x/-	x/-	x/x/x	x/x/x	-	-	-
	177.2 ft	-	x/-	x/-	x/x/x	x/x/x	-	-	-
	196.9 ft	-	x/-	x/-	x/x/x	x/x/x	-	-	-
	216.5 ft	-	x/-	x/-	x/x/x	x/x/x	-	-	-
	236.2 ft	-	-	-	x/x/x	x/x/x	-	-	-
	255.9 ft	-	-	-	x/x/x	x/x/x	-	-	-
	275.6 ft	-	-	-	x/x/x	x/x/x	-	-	-
295.3 ft	-	-	-	x/x/x	x/x/x	-	-	-	

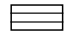
Main boom	Jib								
		88,200 lb	132,300 lb	176,400 lb	220,500 lb	264,600 lb	308,600 lb	352,700 lb	396,800 lb
		83° / 73° / 65°							
139.4 ft + 13.1 ft	78.7 ft	-	x/-	x/-	x/x/x	x/x/x	x/x/x	-	-
	98.4 ft	-	x/-	x/-	x/x/x	x/x/x	x/x/x	-	-
	118.1 ft	-	x/-	x/-	x/x/x	x/x/x	x/x/x	-	-
	137.8 ft	-	x/-	x/-	x/x/x	x/x/x	x/x/x	-	-
	157.5 ft	-	x/-	x/-	x/x/x	x/x/x	x/x/x	-	-
	177.2 ft	-	x/-	x/-	x/x/x	x/x/x	x/x/x	-	-
	196.9 ft	-	x/-	x/-	x/x/x	x/x/x	x/x/x	-	-
	216.5 ft	-	x/-	x/-	x/x/x	x/x/x	x/x/x	-	-
	236.2 ft	-	-	-	x/x/x	x/x/x	x/x/x	-	-
	255.9 ft	-	-	-	x/x/x	x/x/x	x/x/x	-	-
	275.6 ft	-	-	-	x/x/x	x/x/x	x/x/x	-	-
295.3 ft	-	-	-	x/x/x	x/x/x	x/x/x	-	-	

with SSL 0°

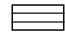
Main boom	Jib	Main boom 108.9 ft + 13.1 ft				Main boom 139.4 ft + 13.1 ft			
		264,600 lb	308,600 lb	352,700 lb	396,800 lb	264,600 lb	308,600 lb	352,700 lb	396,800 lb
		83° / 73° / 65°							
108.9 ft + 13.1 ft 124.3 ft + 13.1 ft 139.4 ft + 13.1 ft 154.9 ft + 13.1 ft 169.9 ft + 13.1 ft	98.4 ft	x/x/x	x/x/x	x/x/x	x/x/x	x/x/x	x/x/x	x/x/x	x/x/x
	118.1 ft	x/x/x	x/x/x	x/x/x	x/x/x	x/x/x	x/x/x	x/x/x	x/x/x
	137.8 ft	x/x/x	x/x/x	x/x/x	x/x/x	x/x/x	x/x/x	x/x/x	x/x/x
	157.5 ft	x/x/x	x/x/x	x/x/x	x/x/x	x/x/x	x/x/x	x/x/x	x/x/x
	177.2 ft	x/x/x	x/x/x	x/x/x	x/x/x	x/x/x	x/x/x	x/x/x	x/x/x
	196.9 ft	x/x/x	x/x/x	x/x/x	x/x/x	x/x/x	x/x/x	x/x/x	x/x/x
	216.5 ft	x/x/x	x/x/x	x/x/x	x/x/x	x/x/x	x/x/x	x/x/x	x/x/x
	236.2 ft	x/x/x	x/x/x	x/x/x	x/x/x	x/x/x	x/x/x	x/x/x	x/x/x
	255.9 ft	x/x/x	x/x/x	x/x/x	x/x/x	x/x/x	x/x/x	x/x/x	x/x/x
	275.6 ft	x/x/x	x/x/x	x/x/x	x/x/x	x/x/x	x/x/x	x/x/x	x/x/x
	295.3 ft	x/x/x	x/x/x	x/x/x	x/x/x	x/x/x	x/x/x	x/x/x	x/x/x

Main boom	Jib	Main boom 154.9 ft + 13.1 ft				Main boom 169.9 ft + 13.1 ft			
		264,600 lb	308,600 lb	352,700 lb	396,800 lb	264,600 lb	308,600 lb	352,700 lb	396,800 lb
		83° / 73° / 65°							
154.9 ft + 13.1 ft 169.9 ft + 13.1 ft 184.9 ft + 13.1 ft 200.0 ft + 13.1 ft 215.0 ft + 13.1 ft 230.0 ft + 13.1 ft 245.0 ft + 13.1 ft 260.0 ft + 13.1 ft 275.0 ft + 13.1 ft 290.0 ft + 13.1 ft 305.0 ft + 13.1 ft	98.4 ft	x/x/x	x/x/x	x/x/x	x/x/x	x/x/x	x/x/x	x/x/x	x/x/x
	118.1 ft	x/x/x	x/x/x	x/x/x	x/x/x	x/x/x	x/x/x	x/x/x	x/x/x
	137.8 ft	x/x/x	x/x/x	x/x/x	x/x/x	x/x/x	x/x/x	x/x/x	x/x/x
	157.5 ft	x/x/x	x/x/x	x/x/x	x/x/x	x/x/x	x/x/x	x/x/x	x/x/x
	177.2 ft	x/x/x	x/x/x	x/x/x	x/x/x	x/x/x	x/x/x	x/x/x	x/x/x
	196.9 ft	x/x/x	x/x/x	x/x/x	x/x/x	x/x/x	x/x/x	x/x/x	x/x/x
	216.5 ft	x/x/x	x/x/x	x/x/x	x/x/x	x/x/x	x/x/x	x/x/x	x/x/x
	236.2 ft	x/x/x	x/x/x	x/x/x	x/x/x	x/x/x	x/x/x	x/x/x	x/x/x
	255.9 ft	x/x/x	x/x/x	x/x/x	x/x/x	x/x/x	x/x/x	x/x/x	x/x/x
	275.6 ft	x/x/x	x/x/x	x/x/x	x/x/x	x/x/x	x/x/x	x/x/x	x/x/x
	295.3 ft	-	-	-	-	-	-	-	-

with SSL 60°

Main boom	Jib								
		88,200 lb	132,300 lb	176,400 lb	220,500 lb	264,600 lb	308,600 lb	352,700 lb	396,800 lb
		83°							
108.9 ft + 13.1 ft 124.3 ft + 13.1 ft 139.4 ft + 13.1 ft 154.9 ft + 13.1 ft 169.9 ft + 13.1 ft	98.4 ft	-	-	x	x	x	x	x	x
	118.1 ft	-	-	x	x	x	x	x	x
	137.8 ft	-	-	x	x	x	x	x	x
	157.5 ft	-	-	x	x	x	x	x	x
	177.2 ft	-	-	x	x	x	x	x	x
	196.9 ft	-	-	x	x	x	x	x	x
	216.5 ft	-	-	x	x	x	x	x	x
	236.2 ft	-	-	x	x	x	x	x	x
	255.9 ft	-	-	x	x	x	x	x	x
	275.6 ft	-	-	-	-	x	x	x	x
	295.3 ft	-	-	-	-	x	x	x	x

26.4 ft x 24.0 ft

Main boom	Jib								
		88,200 lb	132,300 lb	176,400 lb	220,500 lb	264,600 lb	308,600 lb	352,700 lb	396,800 lb
		83°							
48.2 ft + 13.1 ft 63.3 ft + 13.1 ft 78.7 ft + 13.1 ft 93.8 ft + 13.1 ft 108.9 ft + 13.1 ft 124.3 ft + 13.1 ft 139.4 ft + 13.1 ft 154.9 ft + 13.1 ft 169.9 ft + 13.1 ft	78.7 ft	-	x	x	x	-	-	-	
	98.4 ft	-	x	x	x	-	-	-	
	118.1 ft	-	x	x	x	-	-	-	
	137.8 ft	-	x	x	x	-	-	-	
	157.5 ft	-	x	x	x	-	-	-	
	177.2 ft	-	x	x	x	-	-	-	
	196.9 ft	-	x	x	x	-	-	-	
	216.5 ft	-	-	-	x	-	-	-	
	236.2 ft	-	-	-	x	-	-	-	
	255.9 ft	-	-	-	x	-	-	-	
	275.6 ft	-	-	-	x	-	-	-	

The information contained in this brochure merely consists of general descriptions and a broad compilation of performance features which might not apply precisely as described under specific application conditions or which may change as a result of further product development. The desired performance features only become binding once expressly agreed in the final contract.

Note: Data published herein is intended as a guide only and shall not be construed to warrant applicability for lifting purposes. Crane operation is subject to the computer charts and operation manual both supplied with the crane.

Subject to change without notice.

08 / 05

Terex Cranes Wilmington Operations

Mobile hydraulic and lattice-boom cranes
202 Raleigh St. · Wilmington, NC 28412 USA
Phone +1 910 395 8500 · Fax +1 910 395 8538
Email: american@american-crane.com